

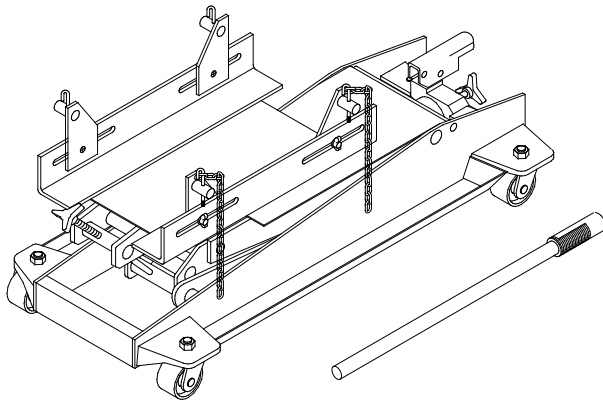
# Operating Instructions & Parts Manual



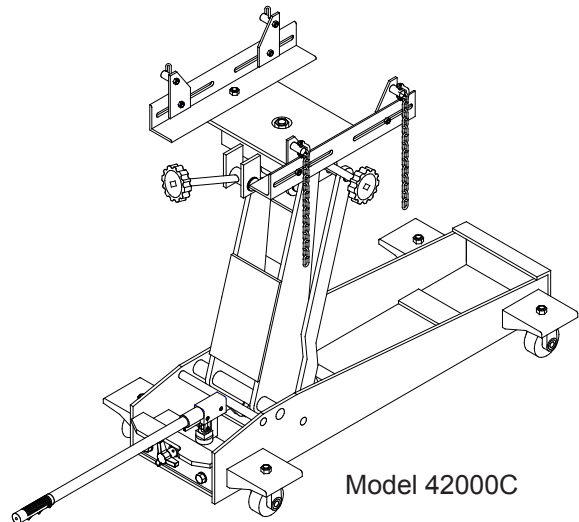
## Hydraulic Transmission Jacks

Model  
41100C  
42000C

Capacity  
1/2 Ton  
1 Ton



Model 41100C



Model 42000C


U.S. Patent No. 5,946,912



This is the safety alert symbol. It is used to alert you to potential personal injury hazards. Obey all safety messages that follow this symbol to avoid possible injury or death.

**⚠ WARNING**

To avoid **crushing and related injuries**:



**NEVER** work on, under or around a load supported only by a hydraulic jack. **Immediately** transfer the load to an appropriate work station.

**SFA Companies**  
<http://www.omegalift.com>

Read this manual and follow all the Safety Rules and Operating Instructions before using this product.

Printed in China  
41100C-MO\_012013

## SAFETY and GENERAL INFORMATION

**Save these instructions.** For your safety, read, understand, and follow the information provided with and on this jack before using. The owner and operator of this equipment shall have an understanding of this jack and safe operating procedures before attempting to use. The owner and operator shall be aware that use and repair of this product may require special skills and knowledge. Instructions and safety information shall be conveyed in the operator's native language before use of this jack is authorized. If any doubt exists as to the safe and proper use of this jack, remove from service immediately.

**Inspect before each use.** Do not use if broken, bent, cracked or damaged parts are noted. Any jack that appears damaged in any way, or operates abnormally shall be removed from service immediately. If the jack has been or suspected to have been subjected to a shock load (a load dropped suddenly, unexpectedly upon it), immediately discontinue use until jack has been checked by a factory authorized service center (contact distributor or manufacturer for list of authorized service centers). It is recommended that an annual inspection be done by qualified personnel. Labels and Operator's Manuals are available from manufacturer.

## PRODUCT DESCRIPTION

Transmission Jack is designed to be used as an aid in the removal and installation of automotive and light truck transmissions, transfer cases and transaxles. This jack is for use under portable lift equipment, where vehicle must be supported by a pair of appropriately rated jack stands.



**NEVER** use for any purpose other than those uses outlined above!

## SPECIFICATIONS

Model	Capacity	Min. Height	Max. Height	Jack Size
41100C	1/2 Ton	9"	24-3/4"	28-3/4" x 15"
42000C	1 Ton	7-7/8"	33-1/2"	39-3/8" x 19-1/8"

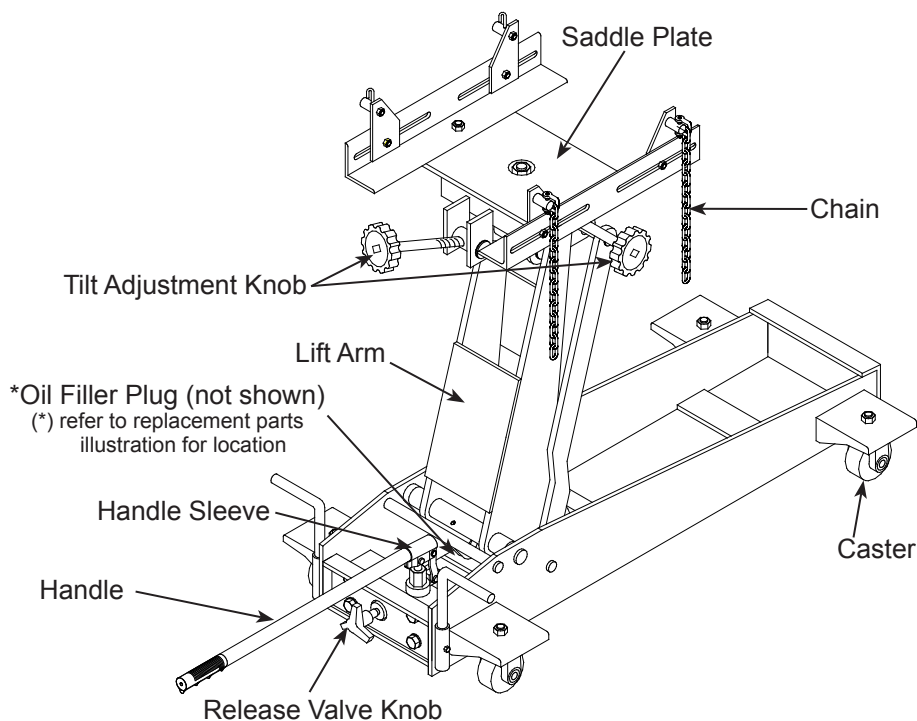


Figure 1- Typical Transmission Jack Components (42000C shown)

## PREPARATION

### Assembly

The angles and chains are pre-assembled on the angle bar. Install the angle bar assembly onto the saddle plate.

model 41100C (see Fig 2):

Tools required: 16 mm wrench.

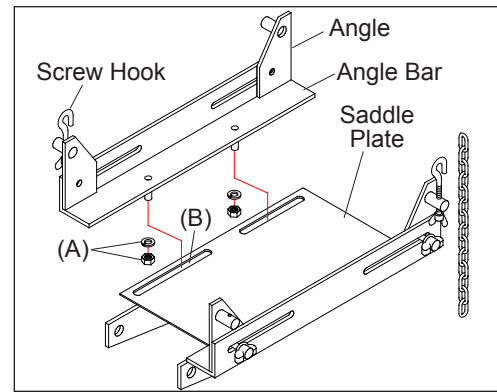
1. Remove the M10 nuts & lock washers (A) from the of angle bar.
2. Place the angle bar to on slot of the saddle plate (B), adjust to desired position then tighten the nut & lock washer (A).
3. Repeat for the other angle bar.

model 42000C (see Fig 3):

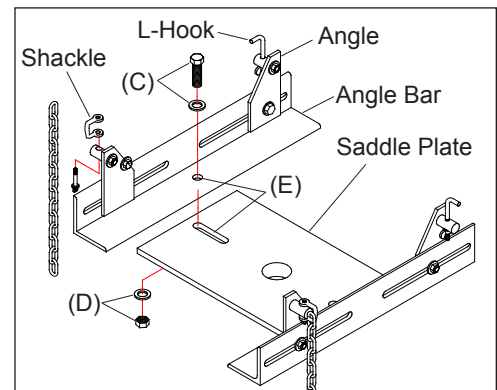
Tools required: 18 mm wrench.

1. Remove the M12x35 bolt, washers & nut (C & D) from the angle bar.
2. Place and align the angle bar to one slot of the saddle plate.
3. Insert flat washer & bolt (C) through the angle bar hole and saddle plate slot (E). Adjust to desired position then tighten with nut and lock washer (D).
4. Repeat for the other angle bar.

**Fig. 2**



**Fig. 3**



### Before Use

1. Verify that the product and application are compatible, if in doubt call Omega Technical Service (888) 332-6419.
2. Before using this product, read the operator's manual completely and familiarize yourself thoroughly with the product, its components and recognize the hazards associated with its use.
3. To familiarize yourself with basic operation, locate and turn the release valve knob (see Fig 1):
  - a. Clockwise until firm resistance is felt to further turning. This is the '**CLOSED**' release valve position used to **raise** the saddle plate.
  - b. Counter-clockwise, but no more than 1/2 turn from the closed position. This is the '**OPEN**' release valve position used to **lower** the saddle plate.
4. With saddle fully lowered and release valve closed, pump the operating handle. If lift arm responds immediately, jack is ready for use. If jack does not respond, follow the Bleeding/Venting instructions.
5. Ensure that jack rolls freely. Raise and lower the unloaded jack throughout the lifting range before putting into service to ensure the pump operates smoothly. Replace worn or damaged parts and assemblies with factory authorized replacement parts only.

### Bleeding / Venting Trapped Air

With the release valve in the OPEN position (3b.) and with saddle fully lowered, locate and remove the oil filler plug. Pump 6 to 8 full strokes. This will help release any pressurized air which may be trapped within the reservoir. Reinstall the oil filler plug.

## **WARNING**

- **Read, understand, and follow** all printed material provided with and on this product **before use**.
- **Do not** exceed rated capacity.
- Use **only** on hard, level surfaces.
- **Adequately support the vehicle before starting repairs.**
- If loaded jack must be moved, make certain that load is secured by appropriate means, is stable, is in the **lowest possible position**, is moved over a smooth, hard level surface and that the **lifting platform is level**.
- Use of this product is **limited to removal, installation, and transportation of automotive and light truck transmissions, transfer cases and transaxles.**
- Use only adapters / accessories provided by the manufacturer of this transmission jack.
- Use only adapters / accessories whose **rated capacity is greater** than the rated capacity of this jack.
- Ensure the center of gravity is **center loaded** on the saddle.
- Never use this device as a work/repair station. **Transfer the load immediately** to a suitable work station.
- No alteration shall be made to this product.
- **Failure to heed** these markings may **result in personal injury and/or property damage.**

## **WARNING**



To avoid **crushing and related injuries**:

- **Never** work on, under or around a load supported only by hydraulic jack.
- **Be alert** and **sober** when using this product. Do not operate under the influence of drugs or alcohol.

## **OPERATION**

Follow the instruction for removal and installation of transmission, transfer case or transaxle according to the vehicle manufacturer's service manual.

### **Raise saddle assembly:**

1. Close release valve by turning release valve knob clockwise firmly.
2. Insert handle into handle sleeve, then pump handle until the load is contacted.
3. Secure load with provided chains.



*Ensure center gravity of load is centered on the saddle and load is stable before moving jack. An off-center transmission could cause the jack to tip or flip over .*

### **Lower saddle:**



*Be sure all tools and personnel are clear before lowering load. **Slowly open the release valve!** The more you turn the knob counter-clockwise, the faster the load will come down. **Maintain control** of the rate of speed at which the load lowers at all times!*

1. Secure load to the jack with provided chain.
2. Slowly, gently turn the release valve knob counter-clockwise, never more than 1/2 full turn until the load is completely lowered.
3. Immediately transfer the load to an appropriate work station.
4. After removing load from the jack, ensure that saddle is fully lowered to reduce ram exposure to rust and contamination.



***Never use this jack as a workstation!***

## MAINTENANCE

**Important:** Use only premium grade hydraulic jack oil. Avoid mixing different types of fluid and NEVER use brake fluid, turbine oil, transmission fluid, motor oil or glycerin. Improper fluid can cause premature failure of the jack and the potential for sudden and immediate loss of load. Premium hydraulic jack oil or equivalent recommended.

### Adding oil

1. With saddle fully lowered set jack in its upright, level position. Locate and remove oil filler plug.
2. Fill with oil until ~3/16" above the inner cylinder as seen from the oil filler hole. Reinstall oil filler plug.

### Changing oil

For best performance and longest life, replace the complete fluid supply at least once per year.

1. With saddle fully lowered, remove oil filler plug.
2. Lay the jack on its side and drain the fluid into a suitable container.

**Note.** Dispose of hydraulic fluid in accordance with local regulations.

3. Set jack in its level position. Fill with oil until ~3/16" above the inner cylinder as seen from the oil filler hole. Reinstall oil filler plug.
4. Perform Bleeding/Venting Trapped Air procedure.

### Lubrication

A periodic coating of light lubricating oil to pivot points, axles and hinges will help to prevent rust and assure that casters and pump assemblies move freely.

### Cleaning

Periodically check the pump piston and ram for signs of rust or corrosion. Clean as needed and wipe with an oily cloth.

**Note:** Never use sandpaper or abrasive material on these surfaces!

### Storage

When not in use, store the jack with saddle fully lowered.

## TROUBLESHOOTING

Symptom	Possible Causes	Corrective Action
Jack will not lift load	<ul style="list-style-type: none"> <li>• Release valve not tightly closed</li> <li>• Load is too heavy</li> </ul>	<ul style="list-style-type: none"> <li>• Ensure release valve tightly closed</li> <li>• Consider higher capacity jack</li> </ul>
Jack will lift, but not maintain pressure	<ul style="list-style-type: none"> <li>• Release valve not tightly closed</li> <li>• Hydraulic unit malfunction</li> </ul>	<ul style="list-style-type: none"> <li>• Ensure release valve tightly closed</li> <li>• Discontinue use, contact Omega Tech. Service</li> </ul>
Jack will not lower after unloading	<ul style="list-style-type: none"> <li>• Reservoir overfilled</li> <li>• Linkage binding</li> </ul>	<ul style="list-style-type: none"> <li>• Ensure load is removed, then drain fluid to proper level</li> <li>• Clean and lubricate moving parts</li> </ul>
Poor lift performance	<ul style="list-style-type: none"> <li>• Fluid level low</li> <li>• Air trapped in system</li> </ul>	<ul style="list-style-type: none"> <li>• Ensure proper fluid level</li> <li>• Follow Bleeding/Venting procedure on Pg 3</li> </ul>
Jack will not lift to full extension	<ul style="list-style-type: none"> <li>• Fluid level low</li> </ul>	<ul style="list-style-type: none"> <li>• Ensure proper fluid level</li> </ul>

## REPLACEMENT PARTS *(page 6 to 9)*

Not all components of the jack are replacement items, but are illustrated as a convenient reference of location and position in the assembly sequence. When ordering parts, please give the Model number and parts description. Call or write for current pricing: SFA Companies 10939 N. Pomona Ave. Kansas City, MO 64153, U.S.A.  
E-Mail: [sales@omegalift.com](mailto:sales@omegalift.com) Tel: (888) 332-6419 Fax: (816) 891-6599 Website: <http://www.omegalift.com>

### Replacement Parts Illustration for Model 41100C

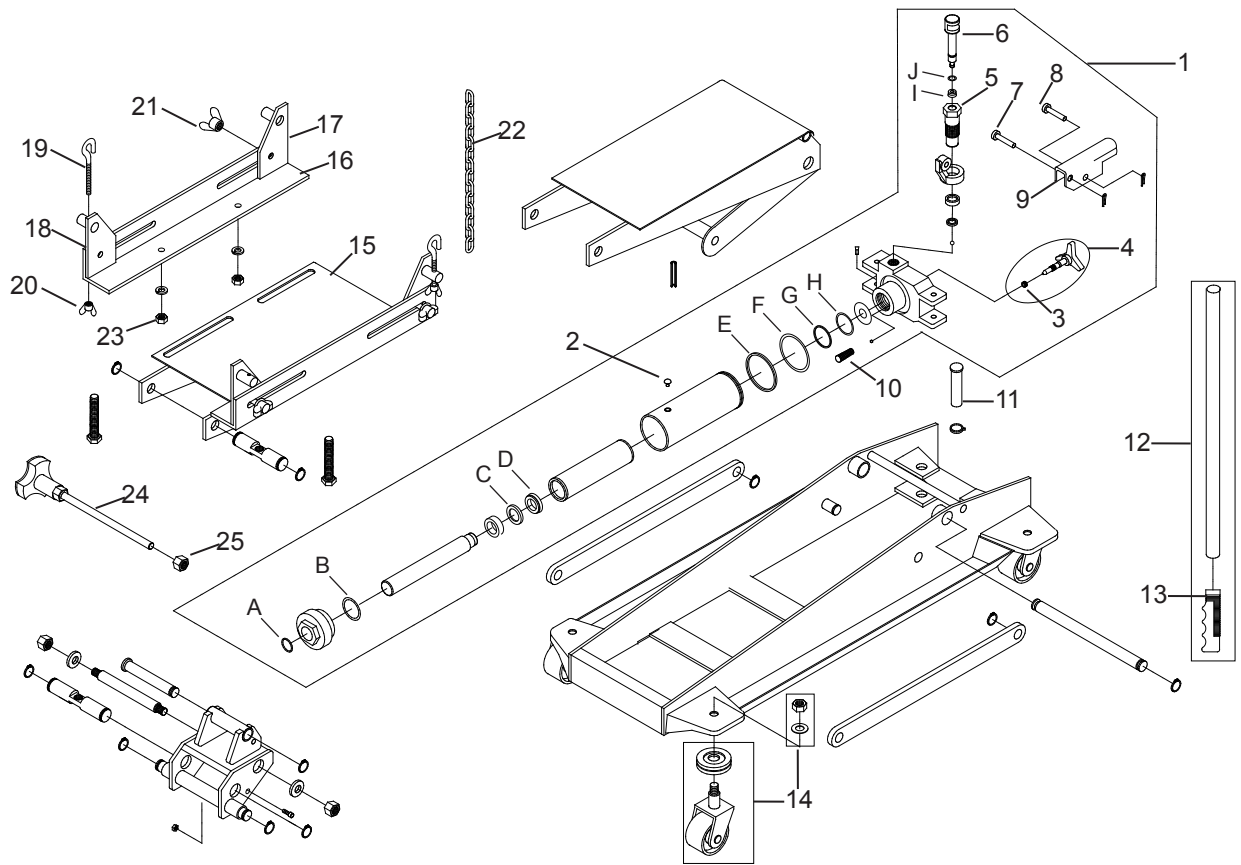


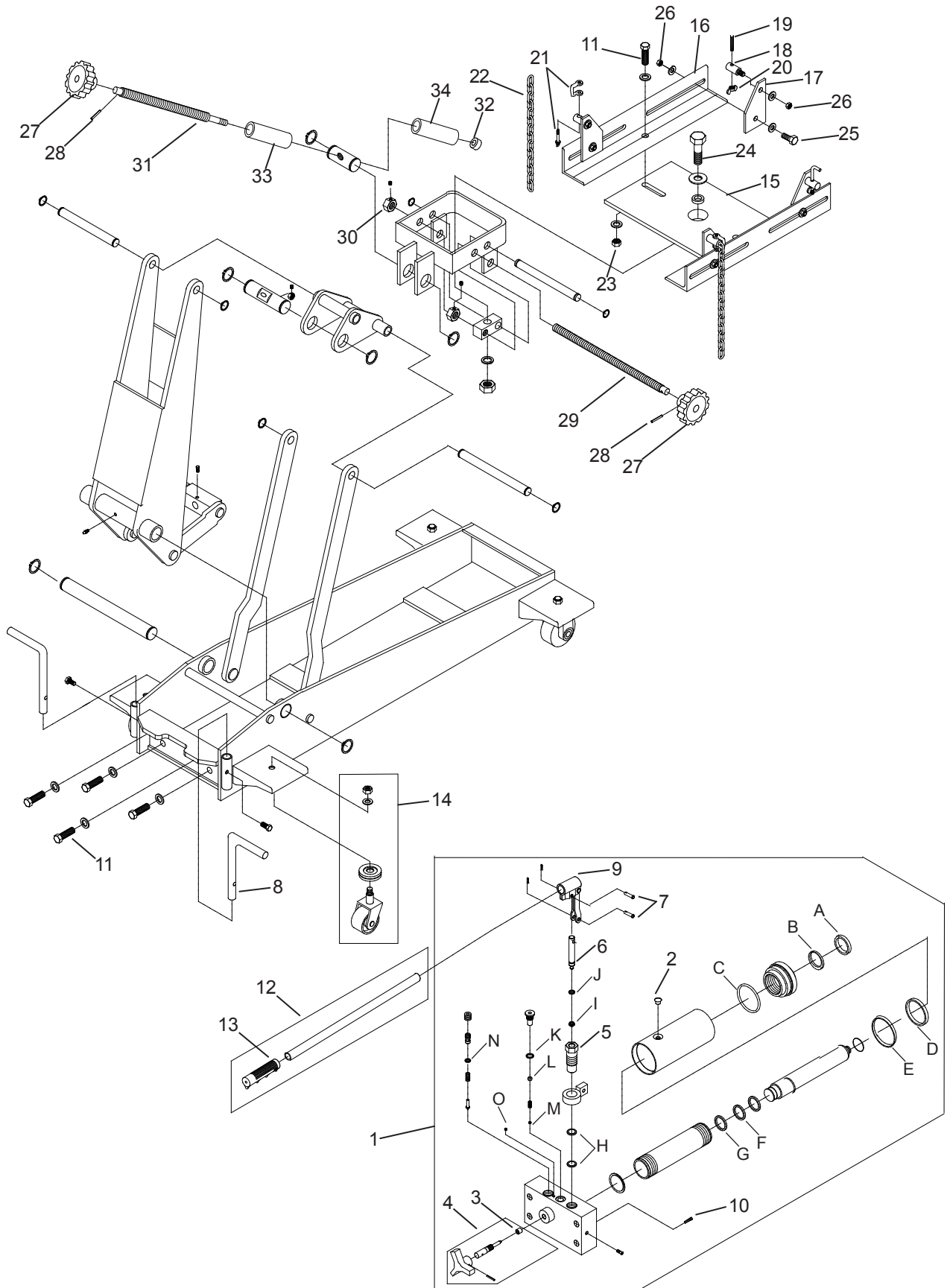
Figure 4 - Replacement Parts Illustration for Model 41100C

## **Replacement Parts List for Model 41100C**

Item	Part No.	Description	Qty.
1	4500-01000-000	Hydraulic Unit	1
2	5905-00100-100	Filler Plug	1
3	5905-00091-000	Oil Seal	1
4	4500-90009-K03	Release Valve	1
5	4500-01004-000	Pump Cylinder	1
6	4500-01301-000	Pump Piston	1
7	5403-10038-000	Pin	1
8	5403-08038-000	Pin	1
9	4500-01008-000	Handle Sleeve	1
10	B020-10003-000	Filter	1
11	4500-00004-000	Pivot Pin, Hyd Unit	2
12	4500-02000-000	Handle Assembly	1
13	BL80-20002-000	Handle Grip	1
14	4500-90009-K02	Caster Assembly	4
15	4500-03000-000	Saddle Assembly	1
16	4500-03300-000	Angle Bar	2
17	4500-03100-000	Angle I	2
18	4500-03200-000	Angle II	2
19	4500-03001-000	Screw Hook	2
20	5207-00006-000	Wing Nut, M6	2
21	5207-00010-000	Wing Nut, M10	4
22	4500-03002-000	Chain	1
23	5202-00010-000	Nut	4
24	4500-03600-000	Tilt Screw	1
25	5202-00012-001	Nut, M12	1
*	45000S-071	Seal Kit, Hyd Unit	-

(*) Seal Kit Contents:		
Item	Description	Qty.
2	Filler Plug	1
3	Oil Seal	1
A	O-ring	1
B	O-ring	1
C	Back-up Ring	1
D	U-cup	1
E	Back-up Ring	1
F	O-ring	1
G	Back-up Ring	1
H	O-ring	1
I	Seal	1
J	O-ring	1

**Replacement Parts Illustration for Model 42000C**



**Figure 5 - Replacement Parts Illustration for Model 42000C**



**Replacement Parts List for Model 4200C**

Item	Part No.	Description	Qty.
1	4200-01000-000	Hydraulic Unit	1
2	5905-00100-100	Filler Plug	1
3	5905-00056-000	Oil Seal	1
4	4200-90009-K02	Release Valve	1
5	4200-01002-000	Pump Cylinder	1
6	4200-01401-000	Pump Piston	1
7	5405-07027-000	Pin	2
8	4200-00001-000	Handle Bar	2
9	4200-01300-000	Handle Sleeve	1
10	B020-10003-000	Filter	1
11	5102-12035-000	Hex. Bolt, M12	6
12	4500-02000-000	Handle Assembly	1
13	BL80-20002-000	Handle Grip	1
14	4200-90009-K01	Caster Assembly	4
15	4200-03100-000	Saddle Plate	1
16	4200-03007-000	Angle Bar	2
17	4200-03010-000	Angle	4
18	4200-03003-000	Hook Screw	4
19	4200-03011-000	L-Hook	2
20	5207-00008-000	Wing Nut, M8	2
21	4200-03600-000	Shackle	2
22	4200-03004-000	Chain	2
23	5202-00012-001	Nut, M12	2
24	5103-16065-000	Hex. Bolt, M16	1
25	5102-10025-000	Hex. Bolt, M10	4
26	5202-00010-000	Nut	8
27	4200-03401-000	Knob	2
28	5402-04025-000	Spring Pin	2
29	4200-03402-000	Tilt Screw	1
30	4200-03013-000	Nut	2
31	4200-03501-000	Tilt screw	1
32	K040-03000-100	Bearing	1
33	4200-03015-000	Tube I	1
34	4200-03016-000	Tube II	1
*	42000S-102	Seal Kit, Hyd Unit	-

(\*) Seal Kit Contents:

Item	Description	Qty.
2	Filler Plug	1
3	Oil Seal	1
A	Seal	1
B	U-cup	1
C	O-ring	1
D	Back-up Ring	1
E	Seal	1
F	Back-up Ring	1
G	U-cup	1
H	O-ring	2
I	Seal	1
J	O-ring	1
K	O-ring	1
L	Steel Ball	1
M	Steel Ball	1
N	O-ring	1
O	Steel Ball	1

## ONE YEAR LIMITED WARRANTY

For a period of one (1) year from date of purchase, SFA Companies will repair or replace, at its option, without charge, any of its products which fails due to a defect in material or workmanship under normal usage. This limited warranty is a consumer's exclusive remedy.

Performance of any obligation under this warranty may be obtained by returning the warranted product, freight prepaid, to SFA Companies Warranty Service Department, 10939 N. Pomona Ave., Kansas City, MO 64153.

Except where such limitations and exclusions are specifically prohibited by applicable law, (1) THE CONSUMER'S SOLE AND EXCLUSIVE REMEDY SHALL BE THE REPAIR OR REPLACEMENT OF DEFECTIVE PRODUCTS AS DESCRIBED ABOVE. (2) SFA COMPANIES SHALL NOT BE LIABLE FOR ANY CONSEQUENTIAL OR INCIDENTAL DAMAGE OR LOSS WHATSOEVER. (3) ANY IMPLIED WARRANTIES, INCLUDING WITHOUT LIMITATION THE IMPLIED WARRANTIES OF MERCHANTABILITY AND FITNESS FOR A PARTICULAR PURPOSE, SHALL BE LIMITED TO ONE YEAR, OTHERWISE THE REPAIR, REPLACEMENT OR REFUND AS PROVIDED UNDER THIS EXPRESS LIMITED WARRANTY IS THE EXCLUSIVE REMEDY OF THE CONSUMER, AND IS PROVIDED IN LIEU OF ALL OTHER WARRANTIES, EXPRESS OR IMPLIED. (4) ANY MODIFICATION, ALTERATION, ABUSE, UNAUTHORIZED SERVICE OR ORNAMENTAL DESIGN VOIDS THIS WARRANTY AND IS NOT COVERED BY THIS WARRANTY.

Some states do not allow limitations on how long an implied warranty lasts, so the above limitation may not apply to you. Some states do not allow the exclusion or limitation of incidental or consequential damages, so the above limitation or exclusion may not apply to you. This warranty gives you specific legal rights, and you may also have other rights, which vary from state to state.



SFA Companies  
10939 N. Pomona Ave. Kansas City, MO 64153  
888-332-6419  
sales@omegalift.com

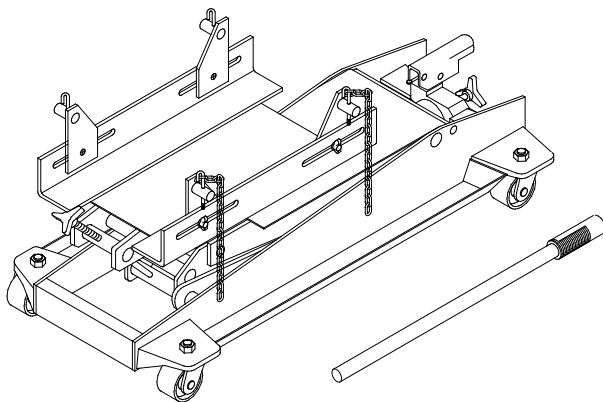
# Manuel des consignes d'utilisation et des pièces



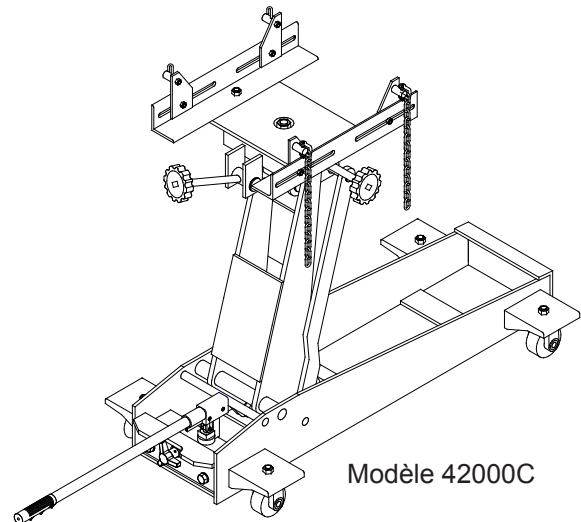
## Crics hydrauliques pour transmission

Modèles  
41100C  
42000C

Capacité  
453 kg (0,5 tonne américaine)  
907 kg (1 tonne américaine)



Modèle 41100C



Modèle 42000C

Brevet américain n° 5,946,912



Voici le symbole signalant un danger pour la sécurité. Il est utilisé pour vous alerter des dangers potentiels de blessures. Respectez tous les messages de sécurité qui suivent ce symbole afin d'éviter les blessures et la mort.

### MISE EN GARDE

Pour éviter un écrasement et les blessures en lien avec celui-ci :



Ne travaillez **JAMAIS** autour d'une charge, en dessous d'elle ou sur celle-ci, si elle est supportée seulement par un cric hydraulique. Faites reposer la charge **immédiatement** sur un poste de travail approprié.

**SFA Companies**  
<http://www.omegalift.com>

Lisez ce manuel et observez toutes les consignes de sécurité et d'utilisation avant d'utiliser ce produit.

Imprimé en Chine  
41100C-MO\_012013

## INFORMATIONS GÉNÉRALES et INFORMATIONS RELATIVES À LA SÉCURITÉ

**Conservez ces instructions.** Pour votre sécurité, lisez, comprenez et respectez toutes les consignes fournies avec ce produit ou se trouvant sur celui-ci avant de l'utiliser. Le propriétaire, ainsi que l'utilisateur, doit comprendre le fonctionnement de ce produit et les consignes de sécurité associées à son utilisation avant de s'en servir. Ces personnes doivent aussi savoir que, pour utiliser ou réparer ce produit, il peut être nécessaire d'avoir des connaissances ou des habiletés spéciales. Avant que l'utilisation de ce produit ne soit autorisée, il faut faire connaître à l'opérateur, dans sa langue maternelle, les instructions et les informations relatives à la sécurité. S'il y a des doutes quant à la façon adéquate et sécuritaire de se servir de ce cric, il faut en cesser l'utilisation immédiatement.

**Inspectez avant chaque utilisation.** N'utilisez pas le produit s'il y a des pièces brisées, déformées, fissurées ou endommagées. Il faut immédiatement cesser l'utilisation de tout cric qui est endommagé d'une quelconque façon ou fonctionne de manière anormale. Si le cric a été soumis, ou semble avoir été soumis, à une surcharge d'impact (charge qui serait tombée accidentellement dessus), cessez immédiatement de l'utiliser et faites-le vérifier par un centre de réparation autorisé par l'usine (communiquez avec le distributeur ou le fabricant pour avoir une liste des endroits autorisés). Il est recommandé qu'un personnel qualifié inspecte l'appareil annuellement. Il est possible de se procurer d'autres étiquettes et d'autres manuels auprès du fabricant.

## DESCRIPTION DU PRODUIT

Le cric pour transmission est conçu pour faciliter l'enlèvement et l'installation de transmissions, de boîtes de transfert et de boîtes-ponts d'automobiles et de véhicules utilitaires légers. Ce cric est conçu pour être utilisé en dessous d'un véhicule soulevé par de l'équipement de levage portatif, dans le cas où un véhicule doit être supporté par une paire de béquilles de cric à capacité nominale adéquate.



**N'utilisez JAMAIS** le cric dans un but autre que ceux décrits ci-dessus!

## SPÉCIFICATIONS

Modèles	Capacité	Hauteur min.	Hauteur max.	Dimensions du cric
41100C	453 kg (0,5 tonne américaine)	22,86 cm (9 po)	62,86 cm (24-3/4 po)	73,03 x 38,10 cm (28-3/4 x 15 po)
42000C	907 kg (1 tonne américaine)	20 cm (7-7/8 po)	85,09 cm (33-1/2 po)	100,01 x 48,58 cm (39-3/8 x 19-1/8 po)

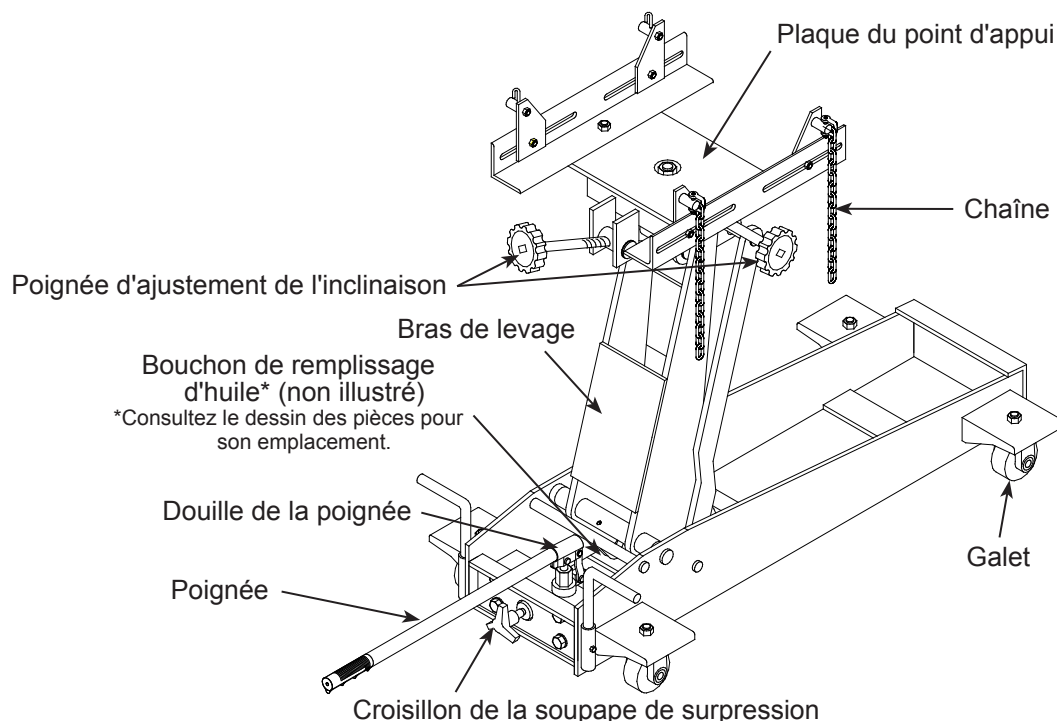


Figure 1 : Pièces types d'un cric pour transmission (modèle 42000C)

## PRÉPARATION

### Assemblage

Les plaques de coin de ferrure et les chaînes sont préassemblées en étant fixées aux ferrures. Installez l'assemblage de la ferrure sur la plaque du point d'appui.

Modèle 41100C (voir figure 2) :

Outils requis : clé 16 mm

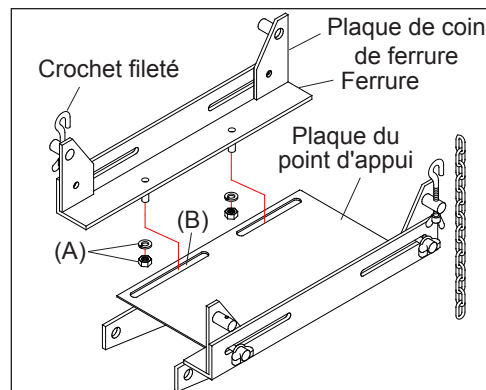
1. Enlevez les rondelles de blocage et écrous M10 (A) de la ferrure.
2. Placez la ferrure sur une fente de la plaque du point d'appui (B), ajustez-la à la position désirée, puis serrez l'écrou et la rondelle de blocage (A).
3. Répétez cette opération pour l'autre ferrure.

Modèle 42000C (voir figure 3) :

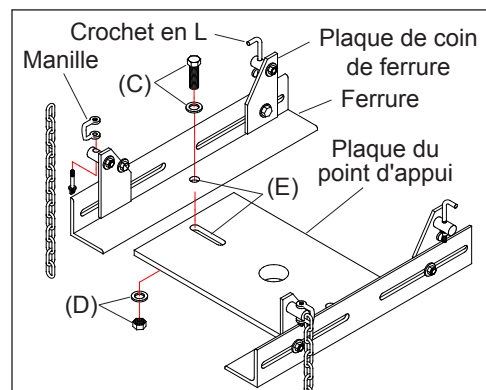
Outils requis : clé 18 mm

1. Retirez le boulon M12 x 35, les rondelles et l'écrou (C et D) de la ferrure.
2. Placez et alignez la ferrure sur une fente de la plaque du point d'appui.
3. Insérez une rondelle plate et un boulon (C) dans le trou de la ferrure et la fente de la plaque du point d'appui (E). Ajustez la ferrure à la position désirée, puis serrez-la avec l'écrou et la rondelle de blocage (D).
4. Répétez cette opération pour l'autre ferrure.

**Fig. 2**



**Fig. 3**



### Avant l'utilisation

1. Vérifiez que le produit et son utilisation sont compatibles. Si vous avez des doutes, appelez le soutien technique pour les produits Omega au 1 888 332-6419.
2. Avant d'utiliser ce produit, lisez le manuel d'utilisation au complet et familiarisez-vous parfaitement avec le produit et ses composants, et identifiez les dangers associés à son utilisation.
3. Afin de vous familiariser avec le fonctionnement de base du cric, repérez le croisillon de la soupape de surpression et tournez-le (voir figure 1) :
  - a. Dans le sens horaire jusqu'à ce que vous sentiez une forte résistance au mouvement. C'est la position « **FERMÉE** » de la soupape de surpression utilisée pour **soulever** la plaque du point d'appui.
  - b. Dans le sens antihoraire, mais pas plus d'un demi-tour à partir de la position fermée. C'est la position « **OUVERTE** » de la soupape de surpression utilisée pour **abaisser** la plaque du point d'appui.
4. Lorsque le point d'appui est complètement abaissé et que la soupape de surpression est fermée, pesez sur le levier. Si le bras de levage réagit immédiatement, le cric peut maintenant être utilisé. Si ce n'est pas le cas, suivez les instructions de la section « Purge de l'air emprisonné ».
5. Assurez-vous que le cric fonctionne en douceur. Avant d'utiliser le cric, pour s'assurer que le mécanisme fonctionne en douceur, levez le point d'appui à son niveau maximal et abaissez-le à son niveau minimal, sans charge. Remplacez les pièces et les assemblages usés ou endommagés seulement par des pièces de rechange autorisées.

### Purge de l'air emprisonné

Lorsque la soupape de surpression est en position OUVRETE (étape 3 b.) et que le point d'appui est à son niveau minimal, trouvez et enlevez le bouchon de remplissage d'huile. Abaissez et levez le levier complètement de six à huit fois. Cela va faciliter la libération de tout air pressurisé pouvant être emprisonné dans le réservoir. Remettez le bouchon.

## ⚠ MISE EN GARDE

- **Lisez, comprenez et suivez** toutes les consignes se trouvant dans les documents fournis ou qui sont sur cet appareil **avant de l'utiliser**.
- **Ne dépassez pas** la capacité nominale.
- Utilisez l'appareil **seulement** sur des surfaces dures et de niveau.
- **Soutenez le véhicule de manière adéquate avant de commencer à faire les réparations.**
- Si un cric avec une charge doit être déplacé, assurez-vous que la charge est retenue de manière sécuritaire, qu'elle est stable, qu'elle est à la position la **plus basse possible**, que le cric est déplacé sur une surface dure, lisse et à niveau et que la **plate-forme de levage est à niveau**.
- Ce produit doit seulement être utilisé **pour enlever, installer et transporter des transmissions, des boîtes de transfert et des boîtes-ponts d'automobiles et de véhicules utilitaires légers.**
- Utilisez seulement les adaptateurs et les accessoires fournis par le fabricant de ce cric pour transmission.
- Utilisez seulement les adaptateurs et les accessoires dont la **capacité nominale est supérieure** à la capacité nominale du cric.
- Assurez-vous que le centre de gravité se trouve **au centre** du point d'appui lorsqu'il y a une charge.
- N'utilisez jamais ce cric comme poste de travail pour faire des réparations ou des travaux. **Faites reposer la charge immédiatement** sur un poste de travail adéquat.
- Ne modifiez pas ce produit.
- **Le non-respect** des consignes peut **entraîner des blessures et des dommages matériels.**

## ⚠ MISE EN GARDE



Pour éviter **un écrasement et les blessures en lien avec celui-ci** :

- **Ne travaillez jamais** autour d'une charge, en dessous d'elle ou sur celle-ci, si elle est supportée seulement par un cric hydraulique.
- **Soyez vigilant et sobre** lorsque vous utilisez ce produit. Ne vous en servez pas si vous avez consommé de l'alcool ou de la drogue.

## FUNCTIONNEMENT

Suivez les instructions pour enlever ou installer une transmission, une boîte de transfert ou une boîte-pont en respectant les indications du manuel du propriétaire fourni par le fabricant du véhicule.

### Soulever l'assemblage du point d'appui :

1. Fermez la soupape de surpression en tournant le croisillon dans le sens horaire fermement.
2. Insérez la poignée dans la douille de la poignée, puis appuyez sur celle-ci jusqu'à ce que le point d'appui entre en contact avec la charge.
3. Attachez la charge avec les chaînes fournies.



*Assurez-vous que le centre de gravité est centré sur le point d'appui et que la charge est stable avant de déplacer le cric. Une transmission qui ne se trouve pas au centre pourrait faire basculer le cric.*

### Abaisser le point d'appui :



*Avant d'abaisser la charge, assurez-vous qu'il n'y a aucun outil ni aucune personne en dessous de celle-ci. **Ouvrez lentement la soupape de surpression!** Plus le levier est tourné dans le sens antihoraire, plus la charge descend rapidement. **Contrôlez en tout temps la vitesse à laquelle la charge s'abaisse!***

1. Fixez la charge au cric avec la chaîne fournie.
2. Tournez lentement, et avec précaution, la soupape de surpression dans le sens antihoraire, sans faire plus d'un demi-tour complet, jusqu'à ce que la charge soit complètement abaissée.
3. Faites reposer la charge immédiatement sur l'équipement d'un poste de travail approprié.
4. Après avoir retiré la charge, faites descendre le point d'appui à son niveau minimal pour prévenir la rouille et la contamination du vérin.



***N'utilisez jamais ce cric comme poste de travail!***

## ENTRETIEN

**Important :** Utilisez seulement de l'huile pour cric hydraulique de première qualité. Évitez de mélanger différents types de liquides et N'UTILISEZ JAMAIS de liquide pour frein, d'huile de turbine, de liquide de transmission, d'huile moteur ou de glycérine. L'utilisation d'un liquide inapproprié peut entraîner une défaillance prématurée du cric et causer une chute potentielle soudaine et immédiate de charge. Il est recommandé d'utiliser de l'huile pour cric hydraulique de première qualité ou un produit équivalent.

### Ajouter de l'huile

1. Lorsque le point d'appui est à son niveau minimal, mettez le cric debout et à niveau. Trouvez et enlevez le bouchon de remplissage d'huile.
2. Mettez de l'huile jusqu'à ce que son niveau se trouve à environ 0,48 cm (3/16 po) au-dessus du cylindre intérieur, selon ce qui peut être observé à partir de l'orifice de remplissage. Remettez le bouchon.

### Changer l'huile

Afin d'obtenir une performance et une durée de vie optimales, remplacez complètement l'huile au moins une fois par année.

1. Lorsque le point d'appui est à son niveau minimal, enlevez le bouchon de remplissage d'huile.
2. Posez le cric sur le côté et purgez le liquide en l'envoyant dans un contenant adéquat.

**Remarque :** Jetez l'huile hydraulique en respectant la réglementation locale.

3. Mettez le cric à niveau. Mettez de l'huile jusqu'à ce que son niveau se trouve à environ 0,48 cm (3/16 po) au-dessus du cylindre intérieur, selon ce qui peut être observé à partir de l'orifice de remplissage. Remettez le bouchon.
4. Suivez la procédure de la section « Purge de l'air emprisonné ».

### Lubrification

Une lubrification périodique des points de pivotement, des axes et des charnières faite avec de l'huile légère aide à prévenir la rouille et à assurer que les galets et les assemblages du levier bougent librement.

### Nettoyage

Inspectez périodiquement le piston du levier et le vérin à piston plongeur pour voir s'il y a de la rouille ou de la corrosion. Nettoyez selon les besoins et essuyez avec un linge huileux.

**Remarque :** N'utilisez jamais de papier sablé ou de matériau abrasif sur ces surfaces!

### Stockage

Lorsque le cric n'est pas utilisé, rangez-le, son point d'appui devant être à son niveau minimal.

## DÉPANNAGE

Problème	Causes possibles	Mesure corrective
Cric ne soulevant pas la charge	<ul style="list-style-type: none"><li>• Soupape de surpression qui n'est pas bien fermée</li><li>• Charge trop pesante</li></ul>	<ul style="list-style-type: none"><li>• Assurez-vous que la soupape est bien fermée</li><li>• Utilisez un cric à plus grande capacité.</li></ul>
Cric soulevant la charge, mais qui ne maintient pas la pression	<ul style="list-style-type: none"><li>• Soupape de surpression qui n'est pas bien fermée</li><li>• Défaillance du vérin hydraulique</li></ul>	<ul style="list-style-type: none"><li>• Assurez-vous que la soupape est bien fermée.</li><li>• Cessez d'utiliser le cric et communiquez avec le soutien technique d'Omega.</li></ul>
Cric ne descendant pas après avoir enlevé la charge	<ul style="list-style-type: none"><li>• Trop de liquide hydraulique dans le réservoir</li><li>• Blocage des articulations</li></ul>	<ul style="list-style-type: none"><li>• Assurez-vous que la charge est enlevée, puis purgez le liquide hydraulique pour qu'il soit au bon niveau.</li><li>• Nettoyez les pièces mobiles et lubrifiez-les.</li></ul>
Performance de levage médiocre	<ul style="list-style-type: none"><li>• Niveau de liquide bas</li><li>• Air emprisonné dans le réservoir</li></ul>	<ul style="list-style-type: none"><li>• Assurez-vous que le niveau de liquide est adéquat.</li><li>• Suivez la procédure de la section « Purge de l'air emprisonné » à la page 13.</li></ul>
Le point d'appui ne s'élève pas au maximum	<ul style="list-style-type: none"><li>• Niveau de liquide bas</li></ul>	<ul style="list-style-type: none"><li>• Assurez-vous que le niveau de liquide est adéquat.</li></ul>



## PIÈCES DE RECHANGE *(voir pages 16 à 19)*

Ce ne sont pas toutes les pièces du cric qui peuvent être remplacées, mais elles sont illustrées pour montrer leur emplacement ainsi que leur position pour l'assemblage. Lorsque vous commandez des pièces, veuillez fournir le numéro du modèle du cric et la description de la pièce. Pour connaître les prix actuels, appelez-nous ou écrivez-nous : SFA Companies 10939 N. Pomona Ave. Kansas City, MO 64153, É.-U., Courriel : [sales@omegalift.com](mailto:sales@omegalift.com), téléphone : 1 888 332-6419, télécopieur : 1 816 891-6599, site Web : <http://www.omegalift.com>.

### Liste des pièces de rechange pour le modèle 41100C :

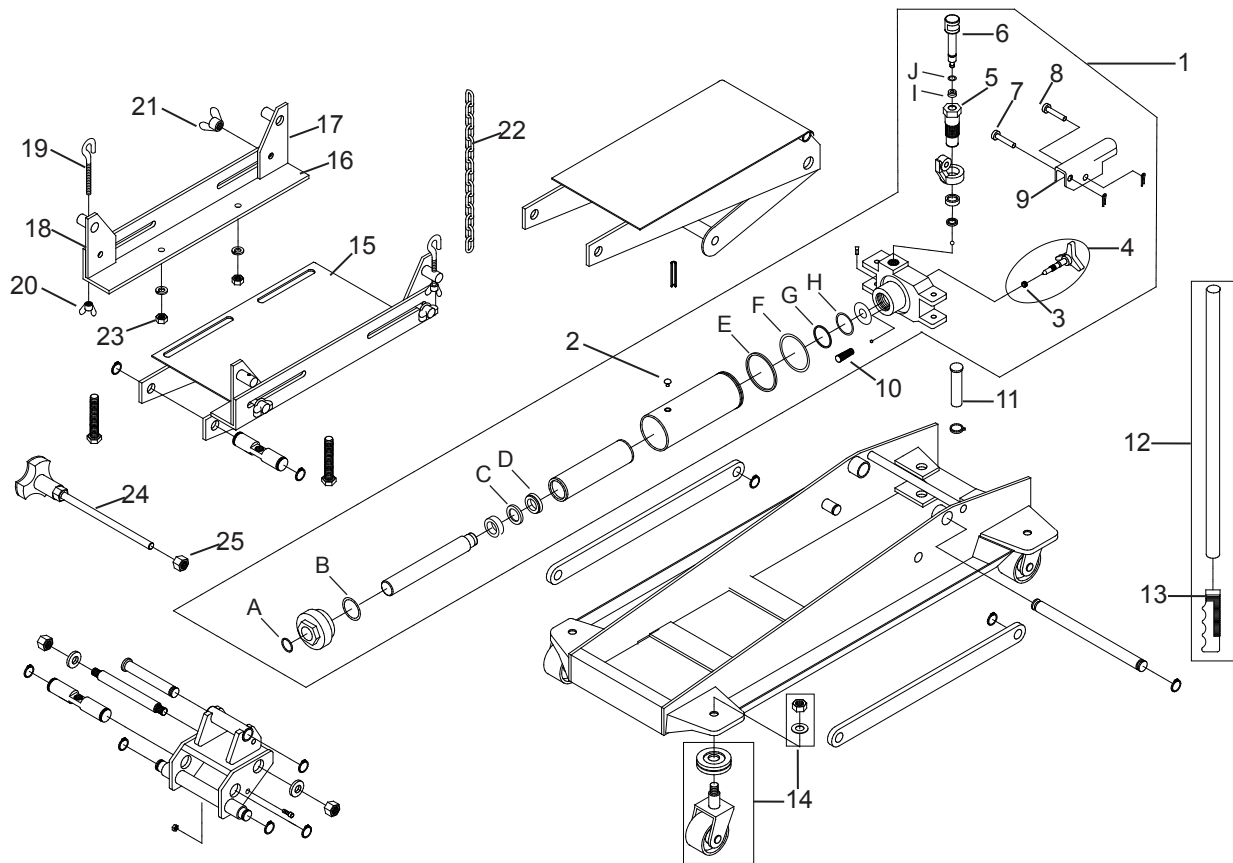


Figure 4 : Illustration des pièces de rechange du modèle 41100C



## Liste des pièces de rechange pour le modèle 41100C

Pièce	N° de pièce	Description	Qté
1	4500-01000-000	Vérin hydraulique	1
2	5905-00100-100	Bouchon de remplissage d'huile	1
3	5905-00091-000	Joint pour huile	1
4	4500-90009-K03	Soupape de surpression	1
5	4500-01004-000	Vérin du levier	1
6	4500-01301-000	Piston du levier	1
7	5403-10038-000	Goupille	1
8	5403-08038-000	Goupille	1
9	4500-01008-000	Douille de la poignée	1
10	B020-10003-000	Filtre	1
11	4500-00004-000	Goupille pivotante, vérin hydraulique	2
12	4500-02000-000	Assemblage de la poignée	1
13	BL80-20002-000	Prise de la poignée	1
14	4500-90009-K02	Assemblage de galet	4
15	4500-03000-000	Assemblage du point d'appui	1
16	4500-03300-000	Ferrure	2
17	4500-03100-000	Plaque n° 1 de coin de ferrure	2
18	4500-03200-000	Plaque n° 2 de coin de ferrure	2
19	4500-03001-000	Crochet fileté	2
20	5207-00006-000	Écrou à oreilles M6	2
21	5207-00010-000	Écrou à oreilles M10	4
22	4500-03002-000	Chaîne	1
23	5202-00010-000	Écrou	4
24	4500-03600-000	Vis d'inclinaison	1
25	5202-00012-001	Écrou M12	1
*	45000S-071	Trousse de joints (vérin hydraulique)	-

(*) Contenu de la trousse de joints :		
Pièce	Description	Qté
2	Bouchon de remplissage d'huile	1
3	Joint pour huile	1
A	Joint torique	1
B	Joint torique	1
C	Anneau de rechange	1
D	Joint en coupelle	1
E	Anneau de rechange	1
F	Joint torique	1
G	Anneau de rechange	1
H	Joint torique	1
I	Joint	1
J	Joint torique	1

**Liste des pièces de rechange pour le modèle 42000C**

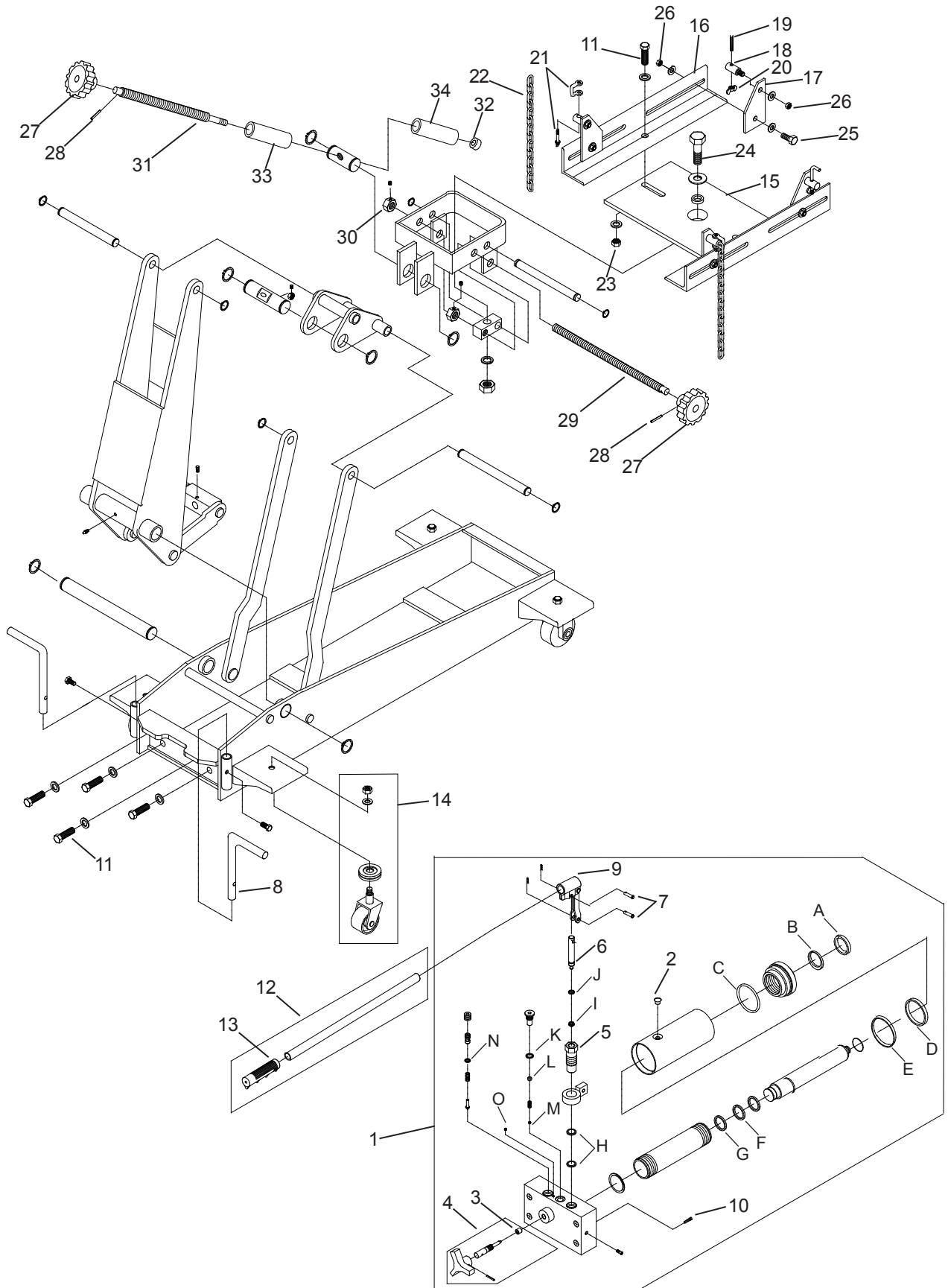


Figure 5 : Illustration des pièces de rechange du modèle 42000C

## Liste des pièces de rechange pour le modèle 4200C

Pièce	N° de pièce	Description	Qté
1	4200-01000-000	Vérin hydraulique	1
2	5905-00100-100	Bouchon de remplissage d'huile	1
3	5905-00056-000	Joint pour huile	1
4	4200-90009-K02	Soupape de surpression	1
5	4200-01002-000	Vérin du levier	1
6	4200-01401-000	Piston du levier	1
7	5405-07027-000	Goupille	2
8	4200-00001-000	Poignée de déplacement	2
9	4200-01300-000	Douille de la poignée	1
10	B020-10003-000	Filtre	1
11	5102-12035-000	Boulon à tête hexagonale M12	6
12	4500-02000-000	Assemblage de la poignée	1
13	BL80-20002-000	Prise de la poignée	1
14	4200-90009-K01	Assemblage de galet	4
15	4200-03100-000	Plaque du point d'appui	1
16	4200-03007-000	Ferrure	2
17	4200-03010-000	Plaque de coin de ferrure	4
18	4200-03003-000	Crochet fileté	4
19	4200-03011-000	Crochet en L	2
20	5207-00008-000	Écrou à oreilles M8	2
21	4200-03600-000	Manille	2
22	4200-03004-000	Chaîne	2
23	5202-00012-001	Écrou M12	2
24	5103-16065-000	Boulon à tête hexagonale M16	1
25	5102-10025-000	Boulon à tête hexagonale M10	4
26	5202-00010-000	Écrou	8
27	4200-03401-000	Croisillon	2
28	5402-04025-000	Goupille-ressort	2
29	4200-03402-000	Vis d'inclinaison	1
30	4200-03013-000	Écrou	2
31	4200-03501-000	Vis d'inclinaison	1
32	K040-03000-100	Palier	1
33	4200-03015-000	Tube I	1
34	4200-03016-000	Tube II	1
*	4200S-102	Trousse de joints (vérin hydraulique)	-

(*) Contenu de la trousse de joints :		
Pièce	Description	Qté
2	Bouchon de remplissage d'huile	1
3	Joint pour huile	1
A	Joint	1
B	Joint en coupelle	1
C	Joint torique	1
D	Anneau de rechange	1
E	Joint	1
F	Anneau de rechange	1
G	Joint en coupelle	1
H	Joint torique	2
I	Joint	1
J	Joint torique	1
K	Joint torique	1
L	Bille en acier	1
M	Bille en acier	1
N	Joint torique	1
O	Bille en acier	1

## GARANTIE LIMITÉE DE 1 AN

Pendant une période d'un (1) an, à partir de la date d'achat, SFA Companies réparera ou remplacera, à sa discrétion, sans frais, tous ses produits qui, utilisés dans des conditions normales, sont défectueux à cause d'un défaut de matériel ou de fabrication. Cette garantie limitée est le seul recours du consommateur.

Pour bénéficier du service offert par la garantie, il faut retourner le produit couvert par celle-ci, port payé, à SFA Companies, Warranty Service Department, 10939 N. Pomona Ave., Kansas City, MO 64153, États-Unis.

Sauf dans les cas où les limitations et les exclusions décrites dans ce paragraphe sont spécifiquement interdites par la loi : (1) LE SEUL RECOURS DU CONSOMMATEUR EST DE FAIRE RÉPARER OU REMPLACER LES PRODUITS DÉFECTUEUX COMME DÉCRIT CI-DESSUS; (2) SFA COMPANIES NE SERA PAS TENUE RESPONSABLE DES DOMMAGES CONSÉCUTIFS OU INDIRECTS OU DE PERTES QUELCONQUES; (3) TOUTE GARANTIE IMPLICITE, CE QUI INCLUT SANS LIMITATION LES GARANTIES IMPLICITES DE COMMERCIALITÉ ET D'ADAPTATION À UN USAGE PARTICULIER, SERA LIMITÉE À UN AN, À DÉFAUT DE QUOI LA RÉPARATION, LE REMPLACEMENT OU LE REMBOURSEMENT, SELON CETTE GARANTIE EXPRESSE LIMITÉE, CONSTITUE LE SEUL RECOURS DU CLIENT, ET REMPLACE TOUTE AUTRE GARANTIE, IMPLICITE OU EXPRESSE; (4) TOUTE MODIFICATION, ALTÉRATION, UTILISATION ABUSIVE OU NON AUTORISÉE OU DÉCORATION ORNEMENTALE ANNULE CETTE GARANTIE ET N'EST PAS COUVERTE PAR CELLE-CI.

Certaines provinces et certains États ne permettent pas de limiter la durée d'une garantie implicite et il est donc possible que la limitation décrite ci-dessus ne s'applique pas. Certaines provinces et certains États ne permettent pas d'exclure ou de limiter les dommages consécutifs ou indirects et il est donc possible que la limitation ou l'exclusion mentionnée ci-dessus ne s'applique pas. Cette garantie vous confère des droits particuliers et il est aussi possible que vous puissiez jouir d'autres droits qui varient d'une province à l'autre et d'un État à l'autre.



SFA Companies  
10939 N. Pomona Ave., Kansas City, MO 64153, É.-U.  
1 888 332-6419  
sales@omegalift.com

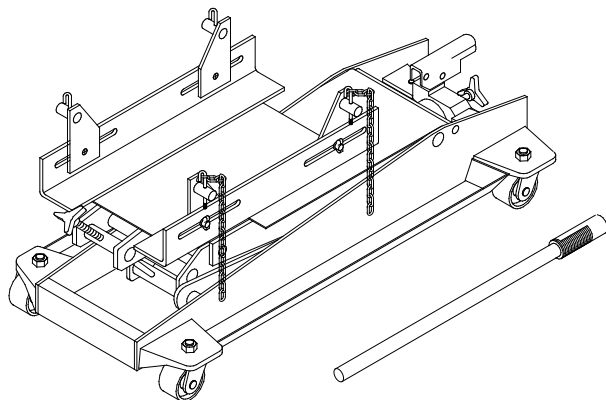
# Manual de piezas e instrucciones de funcionamiento



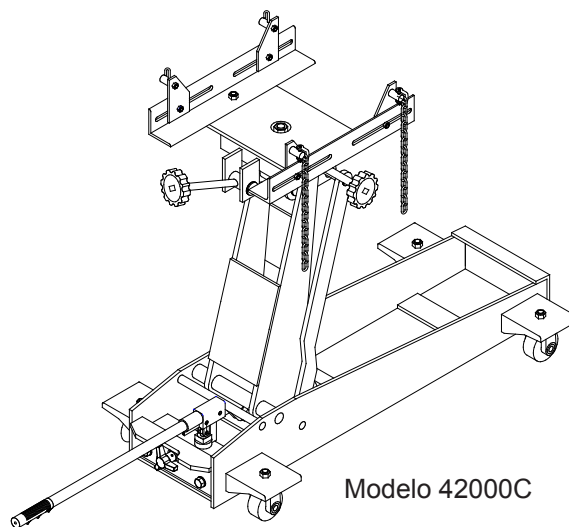
## Gatos de transmisión hidráulica

Modelo  
41100C  
42000C

Capacidad  
1/2 tonelada (1000 libras)  
1 tonelada (2000 libras)



Modelo 41100C



Modelo 42000C

Patente de EE. UU. N.º 5,946,912



Este es el símbolo de alerta de seguridad. Se usa para alertar sobre peligros potenciales de lesiones personales.

Obedezca todos los mensajes de seguridad que tengan este símbolo, para evitar posibles lesiones personales o la muerte.

### **ADVERTENCIA**

Para evitar lesiones por opresión y otras lesiones:



**NUNCA** trabaje sobre, debajo o alrededor de una carga que solamente esté apoyada en un gato hidráulico. Transfiera **de inmediato** la carga a una estación de trabajo adecuada.

**SFA Companies**

<http://www.omegalift.com>

Lea este manual y respete todas las reglas de seguridad y las instrucciones de funcionamiento antes de usar este producto.

## INFORMACIÓN GENERAL y DE SEGURIDAD

**Conserve estas instrucciones.** Para su seguridad, lea, comprenda y siga la información que viene con este gato antes de su uso. El propietario u operador de este equipo debe tener conocimientos sobre este gato y los procedimientos de funcionamiento seguro antes de intentar utilizarlo. El propietario y operador deben tener presente que el uso y la reparación de este producto podrían requerir habilidades y conocimientos especiales. Las instrucciones y la información de seguridad deben expresarse en la lengua materna del operador antes de recibir autorización para el uso de este gato. Si tiene dudas sobre el uso seguro y adecuado de este gato, proceda a sacarlo de servicio de inmediato.

**Inspeccione el dispositivo antes de cada uso.** No lo use si detecta que está roto, doblado, agrietado o tiene piezas dañadas. Debe sacar de servicio en forma inmediata todo gato que presente daños, de la naturaleza que fueren, o funcione mal. Si tiene la sospecha o la certeza de que el gato fue sometido a una carga de impacto (una carga arrojada repentina e inesperadamente sobre este), interrumpa su uso de inmediato hasta su revisión por parte de un centro de servicio de fábrica autorizado (comuníquese con el fabricante o el distribuidor para obtener una lista de los centros de servicio de fábrica autorizados). Se recomienda realizar una inspección anual a cargo de personal calificado. Las etiquetas y los manuales del operador están disponibles por parte del fabricante.

## DESCRIPCIÓN DEL PRODUCTO

El gato de transmisión está diseñado para usarse como ayuda en la instalación y desinstalación de la transmisión de automotores y camiones livianos, cajas de transferencia y transejes. Este gato está diseñado para utilizarlo con un equipo de elevación portátil, donde el vehículo debe apoyarse en un par de soportes para gato de capacidad nominal adecuada.



**NUNCA** utilice este dispositivo para ningún otro fin diferente de aquellos que se describen anteriormente.

## ESPECIFICACIONES

Modelo	Capacidad	Altura mín.	Altura máx.	Tamaño del gato
41100C	1/2 tonelada (1000 libras)	9" (22,86 cm)	24-3/4" (62,86 cm)	28-3/4" x 15" (73,03 cm x 38,10 cm)
42000C	1 tonelada (2000 libras)	7-7/8" (20 cm)	33-1/2" (85,09 cm)	39-3/8" x 19-1/8" (100,01 cm x 48,58 cm)

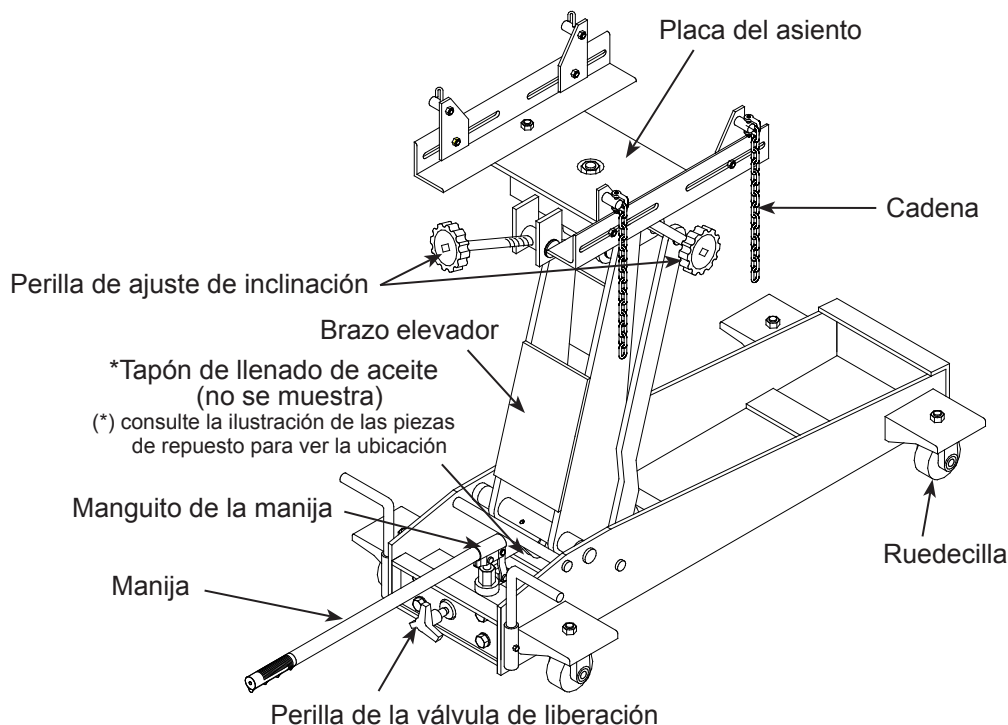


Figura 1: Componentes habituales de un gato de transmisión (se muestra 42000C)

# PREPARACIÓN

## Ensamblaje

Los ángulos y las cadenas se preensamblan en la barra en ángulo. Instale el conjunto de la barra en ángulo en la placa del asiento.

Modelo 41100C (consulte la figura 2):

Herramientas necesarias: llave de 16 mm.

1. Quite las arandelas de seguridad y las tuercas M10 (A) de la barra en ángulo.
2. Coloque la barra en ángulo en la ranura de la placa del asiento (B), ajústela según la posición deseada y luego apriete la arandela de seguridad y la tuerca (A).
3. Repita el procedimiento para la otra barra en ángulo.

Modelo 42000C (consulte la figura 3):

Herramientas necesarias: llave de 18 mm.

1. Quite la tuerca, las arandelas y el perno M12x35 (C & D) de la barra en ángulo.
2. Coloque y alinee la barra en ángulo con una de las ranuras de la placa del asiento.
3. Inserte el perno y la arandela plana (C) a través del orificio de la barra en ángulo y de la ranura de la placa del asiento (E). Ajuste según la posición deseada. Luego, apriete con la tuerca y la arandela plana (D).
4. Repita el procedimiento para la otra barra en ángulo.

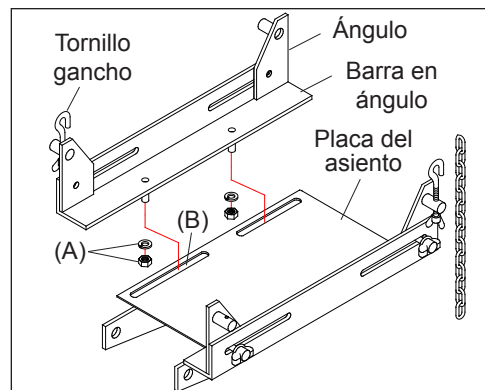
## Antes del uso

1. Verifique que el producto y la aplicación sean compatibles; si tiene dudas, llame al Servicio técnico de Omega al (888) 332-6419.
2. Antes de usar este producto, lea todo el manual del operador; procure familiarizarse en forma completa con el producto y sus componentes, y reconocer los peligros asociados a su uso.
3. Para familiarizarse con el funcionamiento básico, ubique y gire la perilla de la válvula de liberación (consulte la Figura 1):
  - a. A la derecha hasta que sienta una resistencia firme para continuar girando. Esta es la posición 'CERRADO' de la válvula de liberación que se usa para **levantar** la placa del asiento.
  - b. A la izquierda, pero no más de 1/2 giro con respecto a la posición de cerrado. Esta es la posición 'ABIERTO' de la válvula de liberación utilizada para **bajar** la placa del asiento.
4. Una vez que el asiento haya descendido por completo y la válvula de liberación esté cerrada, bombee la manija de funcionamiento. Si el brazo elevador responde de inmediato, el gato está listo para ser usado. Si el gato no responde, siga las instrucciones de descarga de aire/purgado.
5. Asegúrese de que el gato se desplace libremente. Antes de poner el gato en servicio, suba y baje el gato sin carga a lo largo de la distancia de elevación para asegurarse de que la bomba funcione sin dificultades. Reemplace las piezas y los conjuntos desgastados o dañados solo con piezas de repuesto autorizadas de fábrica.

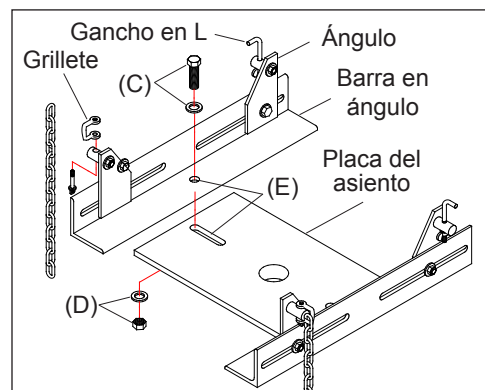
## Purgado/descarga del aire atrapado

Coloque la válvula de liberación en la posición ABIERTO (3b) y baje el asiento en forma completa; luego, ubique y retire el tapón de llenado de aceite. Bombee de 6 a 8 recorridos completos. Esto ayudará a liberar el aire presurizado que pudiera estar atrapado dentro del depósito. Vuelva a colocar el tapón de llenado de aceite.

**Figura 2**



**Figura 3**





## ⚠ ADVERTENCIA

- **Lea, comprenda y siga** todo el material impreso que viene con este producto **antes de usarlo**.
- **No** exceda la capacidad establecida.
- Úselo **únicamente** sobre superficies duras y uniformes.
- **Apoye el vehículo adecuadamente antes de comenzar las reparaciones.**
- Si debe mover un gato cargado, asegúrese de que la carga esté asegurada con los medios apropiados, esté estable, se encuentre en la **posición más baja posible**, se mueva sobre una superficie uniforme, dura y suave, y también garantice que la **plataforma de elevación esté nivelada**.
- El uso de este producto está **limitado a la instalación, la desinstalación y el transporte de los transejes, las cajas de transferencia y las transmisiones de camiones livianos y automóviles.**
- Utilice únicamente adaptadores/accesorios proporcionados por el fabricante de este gato de transmisión.
- Utilice únicamente adaptadores/accesorios cuya **capacidad nominal sea superior** a la capacidad nominal de este gato.
- Asegúrese de que el núcleo de gravedad de la carga **esté centrado** en el asiento.
- Nunca utilice este dispositivo como estación de reparación/trabajo. **Transfiera la carga inmediatamente** a una estación de trabajo adecuada.
- No deben hacerse modificaciones a este producto.
- **Si no se respetan** estas indicaciones, **podrían producirse lesiones personales o daños a la propiedad.**

## ⚠ ADVERTENCIA



Para evitar **lesiones por opresión y otras lesiones**:

- **Nunca** trabaje sobre, debajo o alrededor de una carga que solamente esté apoyada en un gato hidráulico.
- **Esté atento y sobrio** cuando utilice este producto. No use el equipo si está bajo los efectos de drogas o bebidas alcohólicas.

## FUNCIONAMIENTO

Siga las instrucciones para la instalación y desinstalación de la transmisión, la caja de transferencia o el transeje conforme al manual de servicio del fabricante del vehículo.

### Elevación del conjunto del asiento:

1. Cierre la válvula de liberación; para hacerlo, gire la perilla de la válvula de liberación a la derecha firmemente.
2. Inserte la manija en el manguito de la manija. Luego bombee la manija hasta hacer contacto con la carga.
3. Fije la carga con las cadenas provistas.

**⚠** *Asegúrese de que el núcleo de gravedad de la carga esté centrado en el asiento y que la carga esté estabilizada antes de mover el gato. La transmisión fuera del centro podría hacer que el gato vuelque.*

### Descenso del asiento:

**⚠** *Asegúrese de despejar el área de herramientas y operarios antes de bajar la carga. **Abra la válvula de liberación lentamente.** Cuanto más gire la perilla a la izquierda, más rápido descenderá la carga. **Mantenga el control de la velocidad a la que baja la carga en todo momento.***

1. Fije la carga al gato con la cadena que se proporciona.
2. Lenta y suavemente, gire la perilla de la válvula de liberación hacia la izquierda, nunca más de 1/2 giro completo hasta que la carga haya descendido completamente.
3. Transfiera de inmediato la carga a una estación de trabajo adecuada.
4. Luego de retirar la carga del gato, asegúrese de bajar en forma completa el asiento para reducir la exposición al óxido y la contaminación.

**⚠** *No utilice este gato como estación de trabajo.*



## MANTENIMIENTO

**Importante:** Use solo aceite para gatos hidráulicos de alta calidad. Evite mezclar diferentes tipos de líquidos y NUNCA use líquido de frenos, aceite de turbinas, líquido de transmisión, aceite de motor ni glicerina. El uso de un líquido inadecuado puede provocar fallas prematuras en el gato y posibles pérdidas de carga repentinas e inmediatas. Se recomienda el uso de aceite para gato hidráulico de alta calidad o su equivalente.

### Agregado de aceite

1. Una vez que el asiento haya descendido por completo, coloque el gato en posición vertical y a nivel. Ubique y retire el tapón de llenado de aceite.
2. Llene con aceite hasta ~3/16" (0,48 cm) por encima del cilindro interno, según se observa desde el orificio de llenado de aceite. Vuelva a colocar el tapón de llenado de aceite.

### Cambio de aceite

Para lograr el mejor rendimiento y una vida útil más prolongada, cambie el suministro completo de líquido por lo menos una vez al año.

1. Una vez que el asiento haya descendido por completo, retire el tapón de llenado de aceite.
2. Coloque al gato de lado y descargue el líquido en un recipiente adecuado.

**Nota:** Deseche el líquido hidráulico conforme a las reglamentaciones locales.

3. Coloque el gato en su posición a nivel. Llene con aceite hasta ~3/16" (0,48 cm) por encima del cilindro interno, según se observa desde el orificio de llenado de aceite. Vuelva a colocar el tapón de llenado de aceite.
4. Realice el procedimiento indicado en Purgado/descarga del aire atrapado.

### Lubricación

La lubricación periódica con un aceite liviano en los puntos de giro, los ejes y las bisagras ayudará a evitar la corrosión y garantizará que los conjuntos de las ruedecillas y la bomba se muevan libremente.

### Limpieza

Verifique periódicamente el pistón y el ariete de la bomba en busca de signos de oxidación o corrosión. Límpielos con un paño con aceite, según sea necesario.

**Nota:** nunca utilice lijas o materiales abrasivos en estas superficies.

### Almacenamiento

Cuando no lo utilice, guarde el gato con el asiento completamente bajo.

## LOCALIZACIÓN Y SOLUCIÓN DE PROBLEMAS

Síntoma	Causas posibles	Medidas correctivas
El gato no levanta la carga.	<ul style="list-style-type: none"><li>• La válvula de liberación no está herméticamente cerrada.</li><li>• La carga es demasiado pesada.</li></ul>	<ul style="list-style-type: none"><li>• Asegúrese de que la válvula de liberación esté herméticamente cerrada.</li><li>• Piense en la posibilidad de usar un gato de mayor capacidad.</li></ul>
El gato se eleva, pero no mantiene la presión.	<ul style="list-style-type: none"><li>• La válvula de liberación no está herméticamente cerrada.</li><li>• La unidad hidráulica no funciona correctamente.</li></ul>	<ul style="list-style-type: none"><li>• Asegúrese de que la válvula de liberación esté herméticamente cerrada.</li><li>• Interrumpa el uso y comuníquese con el servicio técnico de Omega</li></ul>
El gato no baja después de su descarga.	<ul style="list-style-type: none"><li>• El depósito está lleno en exceso.</li><li>• El enlace está atascado.</li></ul>	<ul style="list-style-type: none"><li>• Asegúrese de retirar la carga y, luego, descargue el líquido hasta el nivel adecuado.</li><li>• Limpie y lubrique las piezas móviles.</li></ul>
La capacidad de elevación es deficiente.	<ul style="list-style-type: none"><li>• El nivel de líquido está bajo.</li><li>• Hay aire atrapado en el sistema.</li></ul>	<ul style="list-style-type: none"><li>• Asegúrese de que el nivel de líquido sea el adecuado.</li><li>• Siga el procedimiento de purgado/descarga del aire atrapado, en la página 23.</li></ul>
El gato no se eleva al máximo de su capacidad.	<ul style="list-style-type: none"><li>• El nivel de líquido está bajo.</li></ul>	<ul style="list-style-type: none"><li>• Asegúrese de que el nivel de líquido sea el adecuado.</li></ul>

## PIEZAS DE REPUESTO *(páginas 26 a 29)*

No todos los componentes del gato tienen reemplazo, pero se ilustran a modo de referencia práctica de la ubicación y la posición que ocupan en la secuencia del conjunto. Cuando realice el pedido de piezas, indique el número de modelo y la descripción de las piezas. Para obtener el precio vigente, comuníquese a: SFA Companies 10939 N. Pomona Ave. Kansas City, MO 64153, U.S.A. Correo electrónico: [sales@omegalift.com](mailto:sales@omegalift.com) Tel.: (888) 332-6419 Fax: (816) 891-6599, sitio web: <http://www.omegalift.com>

### Ilustración de piezas de repuesto para el modelo 41100C

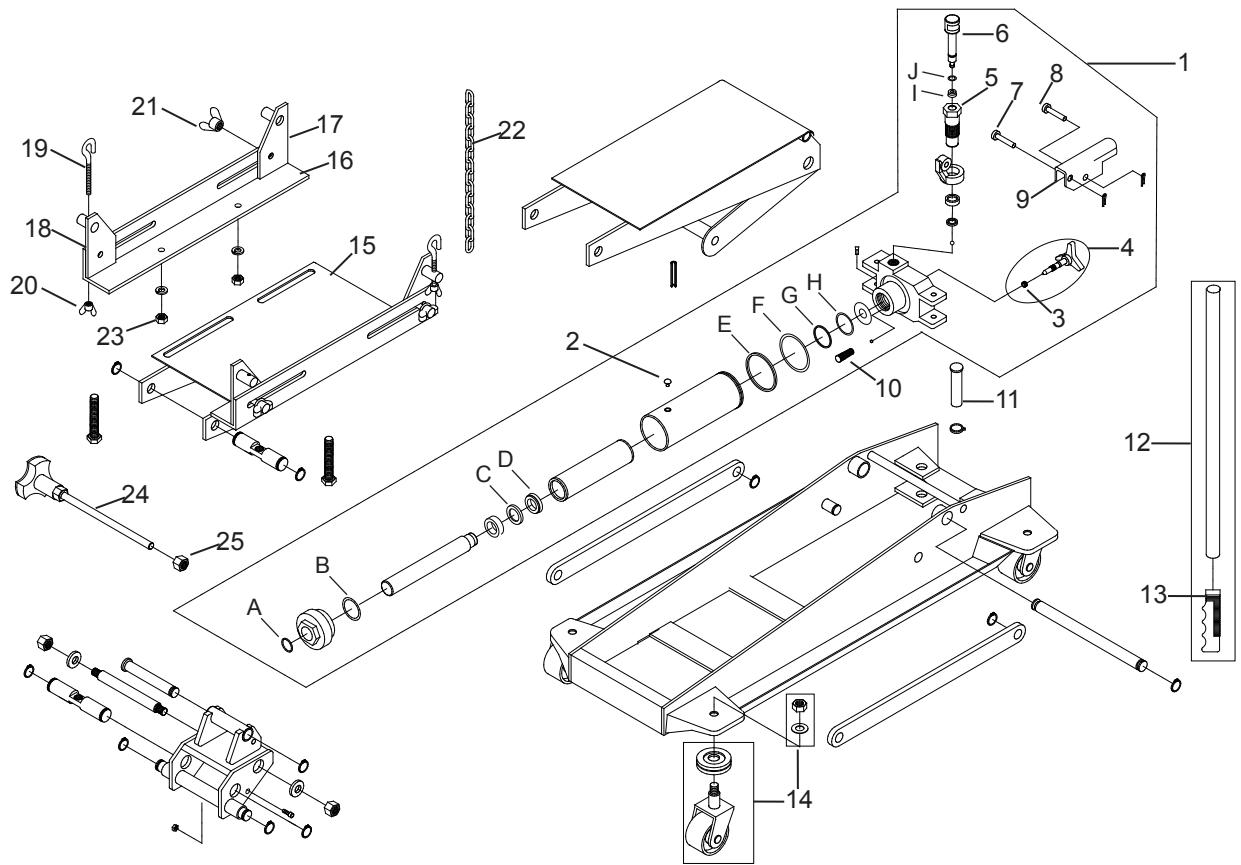


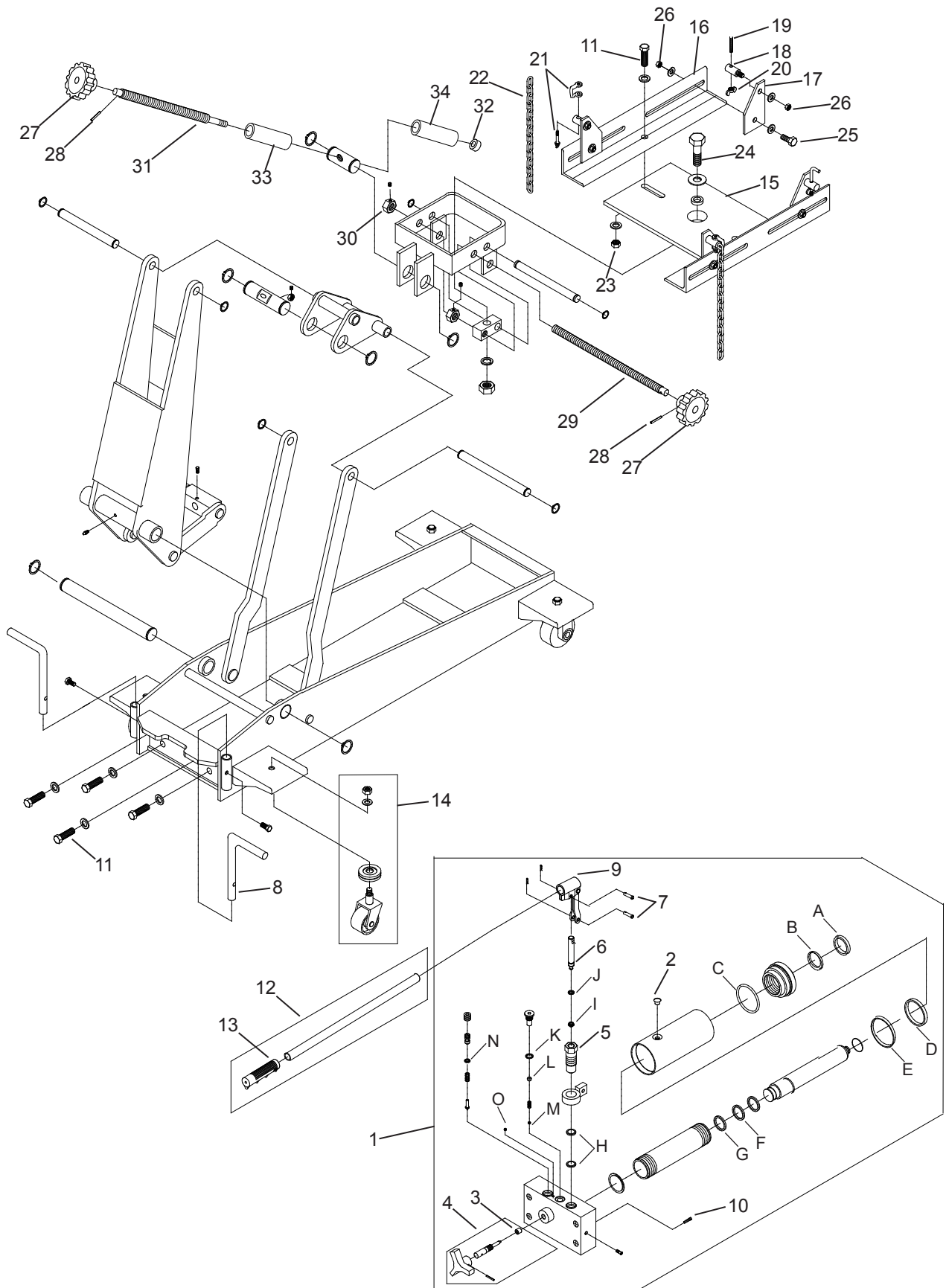
Figura 4: Ilustración de piezas de repuesto para el modelo 41100C

**Lista de piezas de repuesto para el modelo 41100C**

Elemento	N.º de pieza	Descripción	Cant.
1	4500-01000-000	Unidad hidráulica	1
2	5905-00100-100	Tapón de llenado	1
3	5905-00091-000	Sello de aceite	1
4	4500-90009-K03	Válvula de liberación	1
5	4500-01004-000	Cilindro de la bomba	1
6	4500-01301-000	Pistón de la bomba	1
7	5403-10038-000	Pasador	1
8	5403-08038-000	Pasador	1
9	4500-01008-000	Manguito de la manija	1
10	B020-10003-000	Filtro	1
11	4500-00004-000	Pasador pivotante, unidad hidráulica	2
12	4500-02000-000	Conjunto de la manija	1
13	BL80-20002-000	Agarre de la manija	1
14	4500-90009-K02	Conjunto de la ruedecilla	4
15	4500-03000-000	Conjunto del asiento	1
16	4500-03300-000	Barra en ángulo	2
17	4500-03100-000	Ángulo I	2
18	4500-03200-000	Ángulo II	2
19	4500-03001-000	Tornillo gancho	2
20	5207-00006-000	Tuerca mariposa, M6	2
21	5207-00010-000	Tuerca mariposa, M10	4
22	4500-03002-000	Cadena	1
23	5202-00010-000	Tuerca	4
24	4500-03600-000	Tornillo inclinado	1
25	5202-00012-001	Tuerca, M12	1
*	4500S-071	Kit de aislamiento, unidad hidráulica	-

(*) Contenido del kit de aislamiento:		
Elemento	Descripción	Cant.
2	Tapón de llenado	1
3	Sello de aceite	1
A	Junta tórica	1
B	Junta tórica	1
C	Anillo de respaldo	1
D	Copa en U	1
E	Anillo de respaldo	1
F	Junta tórica	1
G	Anillo de respaldo	1
H	Junta tórica	1
I	Sello	1
J	Junta tórica	1

**Ilustración de piezas de repuesto para el modelo 42000C**



**Figura 5: Ilustración de piezas de repuesto para el modelo 42000C**

**Lista de piezas de repuesto para el modelo 42000C**

Elemento	N.º de pieza	Descripción	Cant.
1	4200-01000-000	Unidad hidráulica	1
2	5905-00100-100	Tapón de llenado	1
3	5905-00056-000	Sello de aceite	1
4	4200-90009-K02	Válvula de liberación	1
5	4200-01002-000	Cilindro de la bomba	1
6	4200-01401-000	Pistón de la bomba	1
7	5405-07027-000	Pasador	2
8	4200-00001-000	Barra de la manija	2
9	4200-01300-000	Manguito de la manija	1
10	B020-10003-000	Filtro	1
11	5102-12035-000	Perno Perno, M12	6
12	4500-02000-000	Conjunto de la manija	1
13	BL80-20002-000	Agarre de la manija	1
14	4200-90009-K01	Conjunto de la ruedecilla	4
15	4200-03100-000	Placa del asiento	1
16	4200-03007-000	Barra en ángulo	2
17	4200-03010-000	Ángulo	4
18	4200-03003-000	Tornillo gancho	4
19	4200-03011-000	Gancho en L	2
20	5207-00008-000	Tuerca mariposa, M8	2
21	4200-03600-000	Grillete	2
22	4200-03004-000	Cadena	2
23	5202-00012-001	Tuerca, M12	2
24	5103-16065-000	Perno hexagonal, M16	1
25	5102-10025-000	Perno hexagonal, M10	4
26	5202-00010-000	Tuerca	8
27	4200-03401-000	Perilla	2
28	5402-04025-000	Pasador del resorte	2
29	4200-03402-000	Tornillo inclinado	1
30	4200-03013-000	Tuerca	2
31	4200-03501-000	Tornillo inclinado	1
32	K040-03000-100	Rodamiento	1
33	4200-03015-000	Tubo I	1
34	4200-03016-000	Tubo II	1
*	42000S-102	Kit de aislamiento, unidad hidráulica	-

(\*) Contenido del kit de aislamiento:

Elemento	Descripción	Cant.
2	Tapón de llenado	1
3	Sello de aceite	1
A	Sello	1
B	Copa en U	1
C	Junta tórica	1
D	Anillo de respaldo	1
E	Sello	1
F	Anillo de respaldo	1
G	Copa en U	1
H	Junta tórica	2
I	Sello	1
J	Junta tórica	1
K	Junta tórica	1
L	Bola de acero	1
M	Bola de acero	1
N	Junta tórica	1
O	Bola de acero	1

## GARANTÍA LIMITADA DE UN AÑO

Por el período de un (1) año desde la fecha de compra, SFA Companies reparará o reemplazará, a su discreción, sin costo alguno, cualquier producto que presente fallas debido a defectos de materiales o mano de obra bajo condiciones normales de uso. Esta garantía limitada es un recurso exclusivo del consumidor.

El cumplimiento de toda obligación en virtud de esta garantía puede obtenerse con el envío del producto en garantía, con flete abonado en origen, a SFA Companies Warranty Service Department, 10939 N. Pomona Ave., Kansas City, MO 64153.

Salvo que tales limitaciones y exclusiones estén específicamente prohibidas por las leyes vigentes, (1) EL ÚNICO Y EXCLUSIVO RECURSO DEL CONSUMIDOR SERÁ LA REPARACIÓN O EL REEMPLAZO DE LOS PRODUCTOS DEFECTUOSOS, COMO SE DETALLA ARRIBA. (2) SFA COMPANIES NO SERÁ RESPONSABLE, EN NINGÚN CASO, POR DAÑOS O PÉRDIDAS EMERGENTES O INCIDENTALES. (3) TODA GARANTÍA IMPLÍCITA, LO QUE INCLUYE, ENTRE OTRAS, LAS GARANTÍAS IMPLÍCITAS DE COMERCIALIZACIÓN Y APTITUD PARA FINES ESPECÍFICOS, ESTARÁ LIMITADA A UN AÑO; DE OTRO MODO, LA REPARACIÓN, EL REEMPLAZO O LA DEVOLUCIÓN DE DINERO CONFORME A ESTA GARANTÍA LIMITADA EXPRESA SERÁ EL EXCLUSIVO RECURSO DEL CONSUMIDOR, Y SE OFRECE EN LUGAR DE CUALQUIER OTRA GARANTÍA, EXPRESA O IMPLÍCITA. (4) CUALQUIER MODIFICACIÓN, ALTERACIÓN, USO INDEBIDO, SERVICIO NO AUTORIZADO O DISEÑO ORNAMENTAL ANULARÁ ESTA GARANTÍA Y NO ESTARÁ CUBIERTO POR ESTA GARANTÍA.

Algunos estados no permiten la limitación de la duración de las garantías implícitas, por lo que las limitaciones anteriores pueden no aplicarse en su caso. Algunos estados no permiten excluir o limitar los daños emergentes o incidentales, por lo tanto esta limitación o exclusión puede no ser aplicable en su caso. Esta garantía le otorga derechos legales específicos. Usted puede tener además otros derechos que varían de un estado a otro.



SFA Companies  
10939 N. Pomona Ave. Kansas City, MO 64153  
888-332-6419  
sales@omegalift.com



SFA Companies  
10939 N. Pomona Ave. Kansas City, MO 64153  
888-332-6419  
[sales@omegalift.com](mailto:sales@omegalift.com)



SFA Companies  
10939 N. Pomona Ave. Kansas City, MO 64153  
888-332-6419  
sales@omegalift.com