

# EVERCRAFT™

## LIFTING EQUIPMENT

2 TON, 4 TON, 6 TON,  
8 TON, 12 TON, 20 TON  
BOTTLE JACK & 12 TON  
AND 20 TON  
SHORT BOTTLE JACKS

WARNING INFORMATION

776-1037, 776-1038, 776-1039,

776-1040, 776-1041, 776-1042, 776-1021 and 776-1022



776-1037



776-1039



776-1021



776-1022

### SPECIFICATIONS

	776-1037	776-1038	776-1039	776-1040	776-1041	776-1042	776-1021	776-1022
Capacity .....	2 Ton	4 Ton	6 Ton	8 Ton	12 Ton	20 Ton	12 Ton	20 Ton
Closed Height .....	6.22"	7.09"	7.75"	8.07"	8.46"	9.6"	7.48"	7.48"
Extension Screw Travel .....	2.36"	2.36"	2.36"	2.36"	2.36"	2.36"	2.36"	2.36"
Maximum Height .....	12.13"	13.78"	15.04"	15.35"	15.75"	17.68"	13.78"	13.39"
Weight .....	5.06 lbs	7.04 lbs	9.68 lb	11.88 lbs	15.84 lbs	24.2 lbs	14.3 lbs	19.85 lbs.

# EVERCRAFT™

## LIFTING EQUIPMENT

2 TON, 4 TON, 6 TON,  
8 TON, 12 TON, 20 TON  
BOTTLE JACK & 12 TON  
AND 20 TON  
SHORT BOTTLE JACKS

### WARNING INFORMATION

776-1037, 776-1038, 776-1039,

776-1040, 776-1041, 776-1042, 776-1021 and 776-1022



This is the safety alert symbol. It is used to alert you to potential personal injury hazards. Obey all safety messages that follow this symbol to avoid possible injury or death.

### WARNING

WARNING: Indicates a hazardous situation which, if not avoided, could result in death or serious injury.



### IMPORTANT: READ THESE INSTRUCTIONS BEFORE OPERATING

BEFORE USING THESE JACKS, READ THIS MANUAL COMPLETELY AND THOROUGHLY, UNDERSTAND ITS OPERATING PROCEDURES, SAFETY WARNINGS AND MAINTENANCE REQUIREMENTS.

It is the responsibility of the owner to make sure all personnel read this manual prior to using the device. It is also the responsibility of the device owner to keep this manual intact and in a convenient location for all to see and read. If the manual or product labels are lost or not legible, contact BALKAMP for replacements. If the operator is not fluent in English, the product and safety instructions shall be read to and discussed with the operator in the operator's native language by the purchaser/owner or his designee, making sure that the operator comprehends its contents.

### THE NATURE OF HAZARDOUS SITUATIONS

#### WARNING

The use of portable automotive lifting devices are subject to certain hazards that cannot be prevented by mechanical means, but only by the exercise of intelligence, care and common sense. It is therefore essential to have owners and personnel involved in the use and operation of the equipment who are careful, competent, trained and qualified in the safe operation of the equipment and its proper use. Examples of hazards are dropping, tipping or slipping of loads caused primarily by improperly securing loads, overloading, off-centered loads, use on other than hard level surfaces, and using equipment for a purpose for which it was not designed.

### METHODS TO AVOID HAZARDOUS SITUATIONS

#### WARNING



- Read, study, understand & follow all instructions before using.
- Inspect the jack before each use. Do not use if damaged, altered, modified, in poor condition, leaking hydraulic fluid or unstable due to loose or missing components. Make corrections before using.



- Use only on a hard level surface capable of supporting the load.
- Lift only on areas of the vehicle as specified by the vehicle manufacturer.
- User and bystanders must wear eye protection that meets ANSI Z87.1 and OSHA standards.



- Do not exceed rated capacity.
- **This is a lifting device only. Immediately after lifting, support the vehicle with jack stands capable of sustaining the load before working on the vehicle.**
- **Never get beneath the vehicle when it is supported by the jack.**
- Center load on saddle. Be sure setup is stable before working on vehicle.
- Do not use any materials that may serve as risers, spacers or extenders between the stock lifting saddle and the load.
- Do not use any adaptors that replace the stock lifting saddle unless approved or supplied by the jack manufacturer.
- Always lower the jack slowly and carefully.
- Do not use (or modify) this product for any other purpose than that for which it was designed without consulting the manufacturer's authorized representative.
- Failure to heed these warnings may result in serious or fatal personal injury and/or property damage.



**WARNING:** This product can expose you to chemicals including nickel, which is known to the State of California to cause cancer and birth defects or other reproductive harm. For more information go to [www.P65Warnings.ca.gov](http://www.P65Warnings.ca.gov).

### CONSEQUENCES OF NOT AVOIDING HAZARDOUS SITUATIONS

#### WARNING

Failure to read this manual completely and thoroughly, failure to understand its OPERATING INSTRUCTIONS, SAFETY WARNINGS, MAINTENANCE INSTRUCTIONS and comply with them, and failure to comply with the METHODS TO AVOID HAZARDOUS SITUATIONS could cause accidents resulting in serious or fatal personal injury and/or property damage.

# EVERCRAFT™

## LIFTING EQUIPMENT

2 TON, 4 TON, 6 TON,  
8 TON, 12 TON, 20 TON  
BOTTLE JACK & 12 TON  
AND 20 TON  
SHORT BOTTLE JACKS

776-1037, 776-1038, 776-1039,

776-1040, 776-1041, 776-1042,  
776-1021 and 776-1022

### SETUP AND OPERATING INSTRUCTIONS



This is the safety alert symbol used for the SETUP and OPERATING INSTRUCTIONS section of this manual to alert you to potential personal injury hazards. Obey all instructions to avoid possible injury or death.

#### PLEASE REFER TO THE EXPLODED VIEW DRAWING IN THIS MANUAL IN ORDER TO IDENTIFY PARTS.

1. Assemble the pump handle sections together to make one complete handle. One end of the handle has a cut out that will fit over the cross pin in the release valve in the base of the jack. This connection enables the user to turn the release valve in a clockwise direction until tight in preparation for pumping the jack and raising the load. Slowly turning the release valve in a counterclockwise direction will lower the load. It is not necessary to open the release valve more than two full rotations.
2. The opposite end of the pump handle must be inserted in the pump piston receiver linkage in preparation for pumping the jack.
3. The ram is that part of the jack which extends when the jack is pumped. There is a round saddle at the end of the ram which is the part that makes contact with the load to be lifted. The saddle is actually part of a threaded extension screw that fits on the inside of the ram. The saddle height can be extended by turning it in a counter clockwise direction. Extending the height of the saddle is sometimes necessary when the full stroke of the ram is not adequate to lift a load to its desired work height.
4. Sometimes air gets trapped in the hydraulic system during shipment. An air bound hydraulic system feels spongy when pumped and may not allow the jack to pump full incremental strokes.



#### TO PURGE AIR FROM THE HYDRAULIC SYSTEM

- a. Open the release valve by turning the handle in a counterclockwise direction two full turns from its closed position.
  - b. Pump the handle ten full strokes.
  - c. Close the release valve by turning the handle in a clockwise direction until tight.
  - d. Pump the jack until the ram is extended to maximum height.
  - e. Repeat steps "a" through "d" until all the air is purged from the system.
5. Do not lift more than one wheel of a vehicle at a time. Activate the hazard warning flasher, turn off ignition, move automatic selector to park position or reverse gear if it is a manual transmission and set parking brake. The wheel diagonally opposite from the wheel being lifted shall be chocked in both directions. Consult the vehicle manufacturer for the tire changing procedure and lift points.
  6. Position the jack at the appropriate lift point. Estimate the required ram travel to raise the load to the desired height. If the desired height exceeds the entire ram travel, unscrew the extension screw to make up the difference.
  7. Pump the jack up until the saddle comes close to the lift point. Make sure the lift point is flat, parallel to the ground and free from grease, any kind of lubricant, or debris. Continue pumping the jack to lift the load to the desired height. During lifting, inspect the position of the jack in relation to the ground and the saddle in relation to the load to prevent any unstable conditions from developing. If conditions look like they are becoming unstable, slowly lower the load and make appropriate setup corrections after the load is fully lowered.
  8. When the load is lifted to its desired height, immediately place jack stands in their designated locations and adjust the stands' support columns up as close to the designated supports points as possible. Although jack stands are individually rated, they are to be used in a matched pair to support the load. Slowly and carefully open the release valve of the jack in order to gently lower the load onto the jack stands. Make sure the load is safety supported by the jack stands' saddles and not the locating lugs of the saddles. Inspect the relationship of the jack stands with the ground and the jack stand columns and saddles with the load to prevent any unstable conditions. If conditions look unstable, close the jack's release valve and pump the jack to raise the load off the jack stands. Make the appropriate setup changes and slowly and carefully lower the load onto the jack stand saddles.
  9. After the work is done, close the release valve and pump the jack high enough to remove the load from the jack stand saddles. Be sure the load is stable. If it is not, lower the load back onto the jack stands. Make appropriate setup corrections and repeat the step again. Remove the jack stands from under the load, being very careful not to move the load.
  10. Open the jack's release valve very slowly and carefully to lower the load to the ground.
  11. **DO NOT CRAWL UNDER VEHICLE WHILE LIFTING VEHICLE OR PLACING OR REMOVING THE JACK STANDS!**

### PREVENTATIVE MAINTENANCE



This is the safety alert symbol used for the PREVENTATIVE MAINTENANCE section of this manual to alert you to potential personal injury hazards. Obey all instructions to avoid possible injury or death.

**IMPORTANT:** Any jack found to be defective as a result of worn parts due to lack of lubrication, or air/hydraulic system contaminated with water, rust and/or foreign materials from the air supply or other outside source is not eligible for warranty consideration.

1. Always store the jack in a well protected area where it will not be exposed to inclement weather, corrosive vapors, abrasive dust, or any other harmful elements. The jack must be cleaned of water, snow, sand, grit, oil, grease or other foreign matter before using.

# EVERCRAFT™

## LIFTING EQUIPMENT

2 TON, 4 TON, 6 TON,  
8 TON, 12 TON, 20 TON  
BOTTLE JACK & 12 TON  
AND 20 TON  
SHORT BOTTLE JACKS

**776-1037, 776-1038, 776-1039,**

**776-1040, 776-1041, 776-1042,  
776-1021 and 776-1022**

### PREVENTATIVE MAINTENANCE (cont.)

- The jack must be lubricated periodically in order to prevent premature wearing of parts. A general purpose grease must be applied to the threads on the extension screw. Do not lubricate any portion of the lift saddle and make sure the saddle is free from grease, any kind of lubricant, or debris before using the jack.
- It should not be necessary to refill or top off the reservoir with hydraulic fluid unless there is an external leak. An external leak requires immediate repair which must be performed in a dirt-free environment by qualified hydraulic repair personnel who are familiar with this equipment. Authorized Service Centers are recommended.  
**IMPORTANT:** In order to prevent seal damage and jack failure, never use alcohol, hydraulic brake fluid, or transmission oil in the jack. Use NAPA Hydraulic Jack Oil #765-1541.
- Every jack owner is responsible for keeping the jack label clean and readable. Use a mild soap solution to wash external surfaces of the jack but not any moving hydraulic components.

**NOTE:** Disassembly of this tool by other than an authorized service center **will void** the warranty on this tool.

### LIMITED WARRANTY

**180 DAYS LIMITED WARRANTY:** EVERCRAFT lifting equipment is warranted to be free from defects in material and workmanship. If any unit proves to be defective in material or workmanship within 180 days from the original date of purchase, it will be replaced free of charge. In the unlikely event a replacement is required, return the unit to the place of purchase for a free replacement.

To obtain service after the 180-day limited warranty, please return the tool to your nearest Balkamp/Evercraft Lifting Equipment Authorized Warranty Center for a repair estimate. Any repair cost incurred, along with freight, will be the sole responsibility of the consumer.

The foregoing obligation is Balkamp Inc.'s sole liability under this or any implied warranty, and under no circumstances will Balkamp Inc. be liable for any incidental or consequential damages.

**PLEASE REVIEW ALL WARNING INSTRUCTIONS PRIOR TO OPERATION.  
SAVE THIS MANUAL FOR FUTURE REFERENCE.**

# EVERCRAFT™

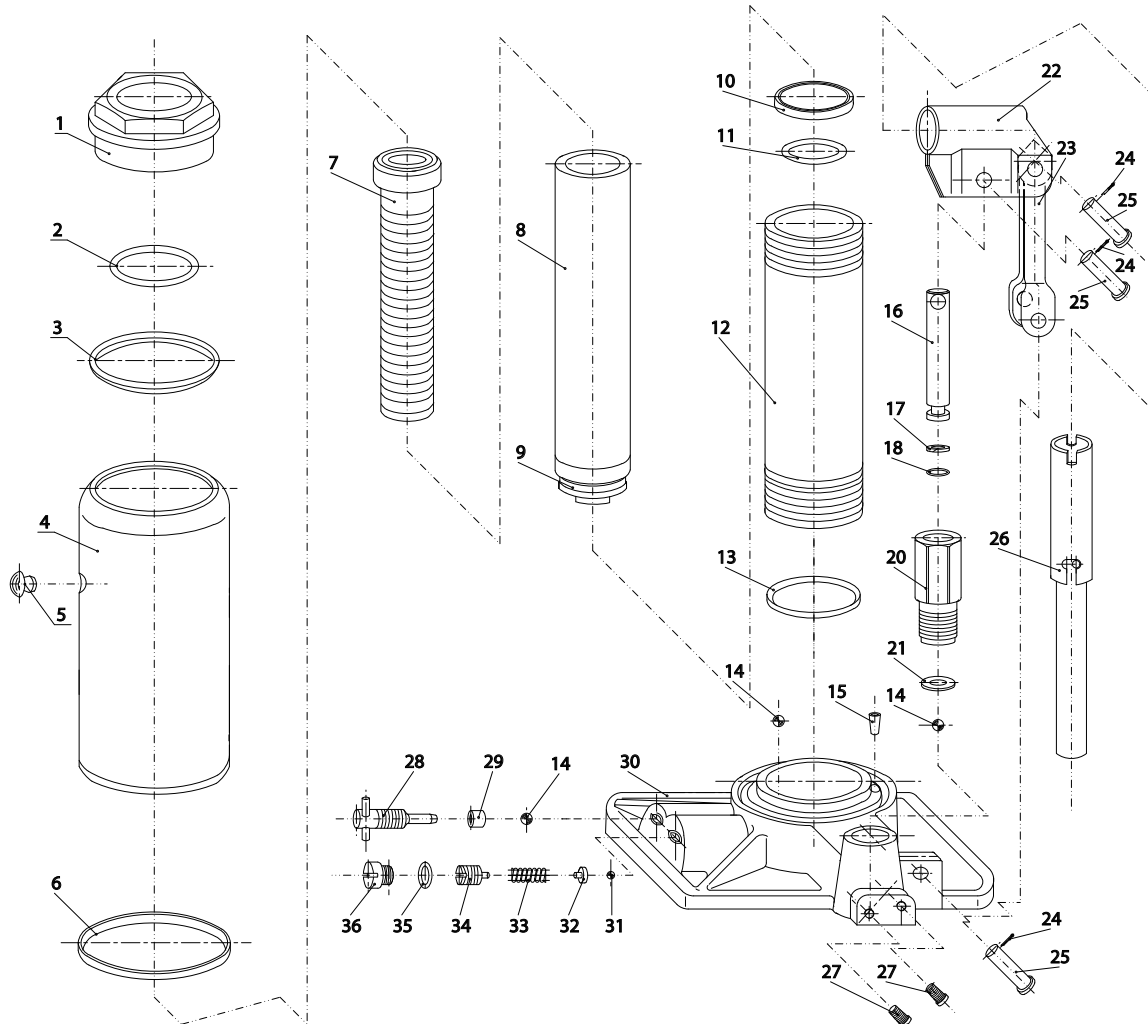
## LIFTING EQUIPMENT

2 TON, 4 TON, 6 TON,  
8 TON, 12 TON, 20 TON  
BOTTLE JACK & 12 TON  
AND 20 TON  
SHORT BOTTLE JACKS

PARTS LIST AND DRAWING

776-1037, 776-1038, 776-1039,

776-1040, 776-1041, 776-1042,  
776-1021 and 776-1022



Index No.	Part No.	Description	Qty.	Index No.	Part No.	Description	Qty.
1		Cylinder Nut	1	24		Cotter Pin	3
* 2		O-Ring	1	25		Rivet	3
* 3		Gasket	1	26	RS5606AHDL	6 & 12 Ton 2 Pc. Handle	1
4		Reservoir	1		RS5622HDL	20 Ton 2 Pc. Handle	1
* 5	RS56FP	Oil Fill Plug	1	27		Plug	2
* 6		Gasket	1	28		Release Valve	1
7		Extension Screw	1	* 29		Seal	1
8		Ram	1	30		Base	1
9		Ram Bearing	1	* 31		Steel Ball	1
* 10		Back up Ring	1	* 32		Ball Locator	1
* 11		O-Ring	1	* 33		Overload Spring	1
12		Cylinder	1	34		Adjusting Screw	1
* 13		Gasket	1	* 35		O-Ring	1
* 14		Steel Ball	3	36		Cover	1
* 15		Filter	1	not shown	RS7761037PLK	Product Label Kit, 2 Ton Bottle Jack	1
16		Pump plunger	1	not shown	RS7761038PLK	Product Label Kit, 4 Ton Bottle Jack	1
* 17		Back Up Ring	1	not shown	RS7761039PLK	Product Label Kit, 6 Ton Bottle Jack	1
* 18		O-Ring	1	not shown	RS7761040PLK	Product Label Kit, 8 Ton Bottle Jack	1
20		Pump Body	1	not shown	RS7761041PLK	Product Label Kit, 12 Ton Bottle Jack	1
* 21		Washer	1	not shown	RS7761042PLK	Product Label Kit, 20 Ton Bottle Jack	1
22		Handle Receiver	1	not shown	RS7761021PLK	Product Label Kit, 12 Ton Short Bottle Jack	1
23		Linkage	1	not shown	RS7761022PLK	Product Label Kit, 20 Ton Short Bottle Jack	1

\* Available in RS5606ASK - 6 Ton Bottle Jack Seal Kit. RS5612ASK - 12 Ton Bottle Jack Seal Kit. RS5622SK - 20 Ton Bottle Jack Seal Kit. (No kits are available for 2 and 4 ton bottle jacks.) Only index #'s identified by Part# are available separately.

# EVERCRAFT™

## LIFTING EQUIPMENT

2 TONELADAS, 4 TONELADAS,  
6 TONELADAS, 8 TONELADAS,  
12 TONELADAS, GATO DE BOTELLAS  
DE 20 TONELADAS & 12 TONELADAS Y  
20 TONELADAS GATOS DE BOTELLAS BAJOS

### INFORMACIÓN DE ADVERTENCIA

776-1037, 776-1038,

776-1040, 776-1041, 776-1042,  
776-1021 and 776-1022



Este símbolo indica una alerta de seguridad y se usa para advertir sobre peligro de accidentes personales. Observe toda la información de seguridad que sigue a este símbolo para evitar la posibilidad de que ocurran lesiones o muerte.

### ⚠ ADVERTENCIA

ADVERTENCIA: Indica una situación peligrosa que si no se evita, puede provocar la muerte o lesiones graves.



### IMPORTANTE: LEA ESTAS INSTRUCCIONES ANTES DE USAR EL DISPOSITIVO

ANTES DE USAR ESTE DISPOSITIVO, LEA ESTE MANUAL DETENIDAMENTE. PROCURE ENTENDER SUS PROCEDIMIENTOS OPERATIVOS, ADVERTENCIAS DE SEGURIDAD Y FORMA DE MANTENIMIENTO.

El propietario es responsable de asegurarse de que todo el personal lea este manual antes de usar el dispositivo. Asimismo, es responsabilidad del propietario mantener este manual en buenas condiciones en una ubicación conveniente para su consulta. Si las etiquetas del manual o producto son ilegibles o no están en su lugar, deberá ponerse en contacto con Balkamp para obtenerlas gratis. El comprador/propietario o una persona designada deberá leer y comentar el producto y las advertencias de seguridad en la lengua materna del operario que no hable inglés fluido, a fin de asegurarse de que comprende el contenido.

### NATURALEZA DE LAS SITUACIONES DE RIESGO

#### ⚠ ADVERTENCIA

El uso de dispositivos de bomba de pie neumática/ hidráulica se halla sujeto a ciertos riesgos que no se pueden prever por medios mecánicos, sino por la información, la diligencia y el sentido común. Por lo tanto, es esencial si no se siguen las instrucciones, se podrían ocasionar peligros, tales como la ruptura del fluido hidráulico presurizado de las mangueras o acoplamientos, así ocasionando la pérdida de carga, la bajada no controlada o la caída de la carga. Las inclinaciones o resbalones de la carga son ocasionados mayormente por el ensamble inadecuado y la sobrecarga y se pueden dar las cargas no centradas si no se siguen las instrucciones.

### FORMAS DE EVITAR LAS SITUACIONES DE RIESGO

#### ⚠ ADVERTENCIA



• Lea, estudie, comprenda y observe todas las instrucciones antes de operar este dispositivo.

• Verifique el gato antes de usarlo. No lo use si tiene roturas, alteraciones, fugas de líquido hidráulico o está en malas condiciones, como tampoco si presenta inestabilidad debido a piezas metálicas o partes desajustadas o faltantes. Tome las medidas de corrección apropiadas antes de usarlo.

• Use solo sobre superficies duras y niveladas capaces de soportar la carga.



• Utilice el dispositivo de elevación únicamente en las áreas del vehículo especificadas por su fabricante.

• Use protección para los ojos que cumpla con las normas ANSI Z87.1 y OSHA (usuarios y espectadores).

• No exceda su capacidad nominal.



• **Este dispositivo se debe utilizar únicamente para levantar cargas. No bien haya elevado la carga, sujete el vehículo con torres que tengan la capacidad para sostenerlo antes de comenzar a trabajar.**

• **No se meta nunca debajo del vehículo cuando está soportado por el gato.**

• Centre la carga en el asiento. Asegúrese de que el armado del dispositivo sea estable antes de comenzar a trabajar.

• No use ningún material que pueda fungir como plataforma, espaciador o expansor entre la silla de elevación estándar y la carga.

• No use ningún adaptador el que reponga la silla de elevación estándar al menos que sea aprobado o provisto por el fabricante del gato.

• Baje el gato siempre despacio y con cuidado.

• No use (ni modifique) la herramienta para ningún otro uso excepto él para el cual fue diseñado, sin primero consultar al representante autorizado del fabricante.

• No cumplir con estas indicaciones puede provocar lesiones graves o peligro de muerte, así como daños materiales.



**ADVERTENCIA:** Este producto le podrá exponer a ciertos químicos, para incluir el níquel, conocidos en el Estado de California por ocasionar cáncer y defectos congénitos u otros daños a la reproducción. Para mayores informes, visite:

[www.P65Warnings.ca.gov](http://www.P65Warnings.ca.gov).

### CONSECUENCIAS DE NO PREVENIR LAS SITUACIONES DE RIESGO

#### ⚠ ADVERTENCIA

Hacer caso omiso, al no leer este manual detenidamente y de forma completa, y no comprender sus INSTRUCCIONES DE OPEARACIÓN, ADVERTENCIAS DE SEGURIDAD, INSTRUCCIONES DE MANTENIMIENTO y cumplir con ellas, y desatender los MÉTODOS PARA EVITAR LAS SITUACIONES PELIGROSAS podría ocasionar accidentes, resultando en lesiones personales serias o fatales y/o daños a la propiedad.

776-1037, 776-1038,

776-1039, 776-1040, 776-1041, 776-  
1042, 776-1021 and 776-1022

### INSTRUCCIONES DE ENSAMBLADO



Este símbolo es el símbolo de advertencia de seguridad usado para la sección de ENSAMBLAJE e INSTRUCCIONES DE OPERACIÓN de este manual para advertirle de los peligros potenciales de lesión personal. Obedezca todas las instrucciones para así evitar lesiones potenciales y aún la muerte.

### CONSULTE POR FAVOR EL DIBUJO DE VISTA EN DETALLE EN ESTE MANUAL PARA IDENTIFICAR LAS PARTES.

1. Ensamble juntas las secciones del mango de la bomba para hacer un sólo mango completo. Un extremo del mango cuenta con un recorte que cabrá sobre el pasador cruzado en la válvula de liberación en la base del gato. Esta conexión le permite al usuario girar la válvula de liberación en el sentido de las agujas del reloj hasta que ésta esté apretada como preparativo para el bombeo del gato y el levantamiento de la carga. Al girar la válvula de liberación lentamente en el contrasentido de las agujas del reloj, la carga se bajará. No es necesario abrir la válvula de liberación más de dos rotaciones completas.
2. El extremo opuesto del mango de la bomba debe estar insertado en el acoplamiento receptor del pistón de la bomba como preparación del bombeo del gato.
3. El pistón es aquella parte del gato que se extiende al momento de bombear el gato. Existe una silla redonda al final del pistón la cual es la pieza que hace contacto con la carga a levantarse. La silla de hecho forma parte de un tornillo de extensión roscado el cual se encaja en la parte interior del pistón. La altura de la silla puede extenderse al girarla en el contrasentido de las agujas del reloj. Es necesario a veces extender la altura de la silla cuando el recorrido pleno del pistón no es lo suficiente para levantar la carga hasta la altura deseada de trabajo.
4. A veces se atrapa aire en el sistema hidráulico durante el envío. Un sistema hidráulico con aire atrapado se siente esponjoso y puede no permitir lograr bombear los recorridos completos incrementales del gato.



#### PARA PURGAR EL AIRE DEL SISTEMA HIDRÁULICO

- a. Abra la válvula de liberación al girar el mango en el contrasentido de las agujas del reloj dos vueltas completas desde su posición cerrada.
- b. Bombeo el mango diez recorridos completos.
- c. Cierre la válvula de liberación al girar el mango en el sentido de las agujas del reloj hasta que esté apretada.
- d. Bombeo el gato hasta que el pistón esté extendido hasta su máxima altura.
- e. Repita los pasos "A" al "D" hasta que se haya purgado todo el aire del sistema.

5. No levante más de una rueda del vehículo a la vez. Active la luz intermitente de advertencia de peligros, apague la ignición, cambie el selector automático hasta la posición de estacionado o reversa, si sea una transmisión manual, y ponga el freno de estacionamiento. La rueda diagonalmente opuesta a la rueda a levantarse debe estar calzada en los dos sentidos. Consulte el fabricante del vehículo por el procedimiento de cambio de las llantas y por los puntos de elevación.
6. Coloque el gato en el punto adecuado de levantamiento. Estime el recorrido requerido del pistón para levantar la carga hasta la altura deseada. Si la altura deseada exceda el recorrido completo del pistón, desatornille el tornillo de extensión para completar la diferencia.
7. Bombeo el gato hasta que la silla acerque el punto de elevación. Asegúrese que el punto de elevación esté plano, paralelo al piso y libre de grasa, cualquier lubricante y escombros. Siga bombeando el gato para levantar la carga hasta la altura deseada. Durante el levantamiento, inspeccione la posición del gato con relación al piso y la silla con relación a la carga para así prevenir el desarrollo de cualquier condición inestable. Si las condiciones aparentan que se están volviendo inestables, baje la carga y realice las correcciones de ensamblaje después de que se haya bajado la carga completamente.
8. Cuando la carga se levanta hasta la altura deseada, inmediatamente coloque las bases del gato en sus ubicaciones designadas y ajuste las columnas de soporte de las bases, lo más cercano posible a los puntos de soporte designados. Aunque las bases del gato estén clasificadas individualmente, éstas deben usarse en pares igualados para soportar la carga. Abra la válvula de liberación del gato lentamente y cuidadosamente con el fin de bajar la carga suavemente sobre las bases del gato. Asegúrese que la carga esté seguramente soportada por las sillas de las bases del gato y no por los birlos de ubicación de las sillas. Inspeccione la relación de las bases del gato respecto al piso y las columnas de las bases y las sillas respecto a la carga para así prevenir cualquier condición inestable. Si las condiciones aparentan ser inestables, cierre la válvula de liberación y bombeo el gato para levantar la carga de las bases del gato. Realice los cambios adecuados de montaje y baje la carga lentamente y cuidadosamente sobre las sillas de la base del gato.
9. En cuanto se termine el trabajo, cierre la válvula de liberación y bombeo el gato lo suficientemente alto para extraer la carga de las sillas de la base del gato. Asegúrese que la silla esté estable. Si no la está, baje la carga nuevamente sobre las bases del gato. Realice las correcciones adecuadas de montaje y repita los pasos de nuevo. Extraiga las bases del gato de debajo de la carga, siendo muy cuidadoso de no mover la carga.
10. Abra la válvula de liberación muy lentamente y cuidadosamente para bajar la carga hasta el piso.
11. **Nunca se meta por debajo del vehículo durante el uso del gato o cuando el vehículo esté levantado.**

### MANTENIMIENTO DE SEGURIDAD



Este símbolo indica una alerta de seguridad y se utiliza en la parte de este manual que versa sobre el MANTENIMIENTO DE SEGURIDAD, con el fin de advertir sobre los peligros de accidentes personales. Observe todas las instrucciones para evitar lesiones o peligros de muerte. **IMPORTANTE:** A fin de prevenir daños en las juntas herméticas y fallas en el dispositivo, no use alcohol, líquido de frenos hidráulicos ni aceite de transmisión en el gato. Cualquier gato que se encuentra defectuoso como resultado de contaminantes extraños en el sistema hidráulico no es elegible para consideraciones de garantía.

# EVERCRAFT™ LIFTING EQUIPMENT

2 TONELADAS, 4 TONELADAS,  
6 TONELADAS, 8 TONELADAS,  
12 TONELADAS, GATO DE BOTELLAS  
DE 20 TONELADAS & 12 TONELADAS Y  
20 TONELADAS GATOS DE BOTELLAS BAJOS

**776-1037, 776-1038,**

**776-1039, 776-1040, 776-1041, 776-  
1042, 776-1021 and 776-1022**

1. Siempre guarde el gato en un área protegida, en donde no quede expuesto a las condiciones climáticas, gases corrosivos, sustancias abrasivas otros materiales perjudiciales. Antes de usar, compruebe que el gato no contenga restos de agua, nieve, arena o arcilla.
2. El gato se debe lubricar en forma periódica a fin de prevenir el desgaste prematuro de sus partes. Se debe aplicar grasa de uso general en todas las articulaciones, las ruedas pivotantes y del eje delantero, el brazo elevador, los pernos pivotantes de la base de la palanca, el sistema de seguridad y las demás superficies de apoyo.
3. No deberá ser necesario rellenar o llenar al tope el depósito el que contiene el líquido hidráulico, al menos que haya una fuga externa. Una fuga externa requiere reparaciones inmediatas las cuales deben realizarse en un ambiente libre de suciedad por parte de personal calificado en las reparaciones hidráulicas y quienes sean familiarizados con este equipo. Se recomienda usar los centros de servicio autorizados.

**IMPORTANTE:** Con el fin de prevenir daños al sello y fallas del gato, nunca use alcohol, líquido de freno hidráulico ni aceite para transmisiones con el gato. Use aceite para gatos hidráulicos NAPA #765-1541.

4. Cada propietario del gato es responsable por mantener limpias y legibles las etiquetas del gato. Use una solución de jabón suave para lavar las superficies externas del gato pero sin mover ninguno de los componentes hidráulicos móviles externos.

**NOTA:** Desensamblado de esta herramienta que se haga por otro, que no sea un centro autorizado de servicio **INVALIDARÁ** la garantía para esta herramienta.

## **GARANTÍA LIMITADA:**

**180 DÍAS DE GARANTÍA LIMITADA:** El equipo de EVERCRAFT está garantizada contra defectos en cuanto warranted to be free from defects in material and workmanship. If any unit proves to be defective in material or workmanship within 180 days from the original date of purchase, it will be replaced free of charge. In the unlikely event a replacement is required, return the unit to the place of purchase for a free replacement.

The foregoing obligation is Balkamp Inc.'s sole liability under this or any implied warranty, and under no circumstances will Balkamp Inc. be liable for any incidental or consequential damages.

**REVISE TODAS LAS INFORMACIONES DE ADVERTENCIA, ANTES DE  
PROCEDER CON EL FUNCIONAMIENTO. CONSERVE ESTE MANUAL PARA  
TENER UNA REFERENCIA EVENTUAL.**



#### INFORMATION D'AVERTISSEMENT

**776-1037, 776-1038,**

**776-1039, 776-1040, 776-1041, 776-1042, 776-1021 and 776-1022**



Ce symbole indique un danger potentiel. Il est utilisé pour avertir l'utilisateur des risques potentiels de blessures corporelles. Prière de respecter toutes les consignes de sécurité qui suivent ce symbole afin d'éviter les blessures ou la mort potentielles.

#### **AVERTISSEMENT**

AVERTISSEMENT : Ce symbole indique une situation dangereuse qui pourrait causer la mort ou des blessures graves si elle n'est pas évitée.



#### **IMPORTANT : LIRE CES CONSIGNES AVANT L'UTILISATION.**

PRIÈRE DE LIRE CES CONSIGNES ATTENTIVEMENT ET DE S'ASSURER DE BIEN COMPRENDRE LES PROCÉDURES D'UTILISATION, LES AVERTISSEMENTS DE SÉCURITÉ ET LES BESOINS EN MATIÈRE D'ENTRETIEN DE L'OUTIL AVANT DE L'UTILISER.

Le propriétaire doit s'assurer que tous les employés lisent ce manuel avant d'utiliser l'outil. Le propriétaire de l'outil doit aussi maintenir ce manuel en bon état et le ranger dans un endroit facilement accessible à tous ceux qui doivent le lire. Si le manuel ou les étiquettes de l'outil sont perdus ou illisibles, communiquer avec Balkamp pour obtenir un remplacement. Si l'utilisateur ne parle pas couramment le français, les consignes de sécurité et le mode d'emploi de l'outil devront lui être lues à haute voix et être discutées avec l'utilisateur, dans sa langue maternelle, par le propriétaire/acheteur ou une personne désignée, afin d'assurer que l'utilisateur en comprenne le bien le contenu.

#### LE TYPE DE SITUATIONS DANGEREUSES

#### **AVERTISSEMENT**

L'utilisation de dispositifs de levage et de support de véhicule automobile est sujette à certains risques qui ne peuvent être prévenus par des moyens mécaniques, mais seulement par son utilisation de façon intelligente, attentive, et du bon sens. Il est donc essentiel que les propriétaires et les employés qui utiliseront ce dispositif soient prudents, compétents, qualifiés et formés à l'utilisation sécuritaire de l'équipement. Des exemples de dangers comprennent le renversement, le glissement ou la chute soudaine de la charge. Ces dangers sont principalement imputables à une charge mal répartie, une utilisation sur une surface meuble ou inclinée, ou une utilisation à des fins autres que celles pour lesquelles le dispositif a été conçu.

#### MÉTHODES POUR ÉVITER LES SITUATIONS DANGEREUSES

#### **AVERTISSEMENT**



- Lire, comprendre et appliquer toutes les consignes avant d'utiliser ce dispositif.
- Inspecter le cric avant chaque utilisation. Ne pas utiliser le cric s'il est endommagé, modifié, en mauvais état, instable en raison de pièces ou de quincaillerie manquantes ou lâches ou s'il y a fuite de fluide hydraulique. Effectuer les réparations ou les réglages nécessaires avant l'utilisation.



- N'utilisez que sur une surface plane et dure capable de supporter la charge.
- Placer le cric uniquement aux points spécifiés par le constructeur du véhicule.
- Portez une protection oculaire qui répond aux normes ANSI Z87.1 et de l'OSHA (utilisateur et personnes à proximité).
- Ne dépassez pas la capacité nominale.



- **Ce dispositif sert uniquement au levage. Immédiatement après avoir levé le véhicule, placer les chandelles appropriées avant de travailler sur le véhicule.**
- **Ne vous installez jamais sous le véhicule lorsqu'il est soutenu par le cric.**
- Centrer la charge sur la selle. S'assurer de la stabilité de l'installation avant de travailler sur le véhicule.
- Ne pas utiliser de matériaux qui pourraient servir d'élevateurs, espaceurs ou extendeurs entre la charge et la selle de levage.
- Ne pas utiliser d'adaptateurs en remplacement de la selle de levage sinon ceux fournis par le fabricant du cric ou ayant reçu son approbation.
- Ne pas utiliser (ou modifier) ce produit pour un usage autre que celui pour lequel il a été conçu sans consulter le représentant autorisé du fabricant.
- L'inobservance de ces méthodes peut causer des dommages matériels, des blessures corporelles graves ou mortelles, ou les deux.



**AVERTISSEMENT :** Ce produit pourrait vous exposer à des produits chimiques, notamment du nickel, qui est reconnu par l'État de la Californie comme causant le cancer, des anomalies congénitales ou d'autres pathologies du système reproductif. Pour en savoir plus, veuillez visiter le [www.P65Warnings.ca.gov](http://www.P65Warnings.ca.gov).

**776-1037, 776-1038,**

**776-1039, 776-1040, 776-1041,  
776-1042, 776-1021 and 776-1022**

### CONSÉQUENCES EN CAS DE SITUATIONS DANGEREUSES

#### **⚠ AVERTISSEMENT**

Le manquement de lire ce manuel complètement et avec attention et l'incompréhension des CONSIGNES D'UTILISATION, AVERTISSEMENTS DE SÉCURITÉ, INSTRUCTIONS D'ENTRETIEN et de se conformer à elles, et en négligeant les MÉTHODES POUR ÉVITER DES SITUATIONS DANGEREUSES peut causer des accidents ayant comme conséquence des blessures sérieuses ou mortelles et/ou des dégâts matériels.

### INSTRUCTIONS D'ASSEMBLAGE



Voici le symbole utilisé dans la section RÉGLAGE et DIRECTIVES D'UTILISATION du présent manuel pour avertir du risque de blessure. Suivre toutes les directives pour éviter des blessures potentiellement graves ou mortelles

#### VEUILLEZ CONSULTER LA VUE ÉCLATÉE POUR IDENTIFIER LES PIÈCES.

1. Assembler les parties du manche pour obtenir un manche d'un seul tenant. L'une des extrémités du manche est découpée de façon à s'ajuster sur le bouton de la soupape de relâchement située dans la base du cric-bouteille. Ainsi, l'utilisateur peut tourner le bouton de la soupape de relâchement dans le sens horaire jusqu'à ce qu'il soit bien serré avant d'actionner la pompe du cric-bouteille et de lever la charge. Pour descendre la charge, tourner lentement le bouton de la soupape de relâchement dans le sens antihoraire. Il n'est pas nécessaire de lui faire faire plus de deux tours complets pour ouvrir la soupape.
2. L'autre extrémité du manche doit être insérée dans le tube récepteur de façon à pouvoir actionner la pompe hydraulique du cric-bouteille.
3. Le cric-bouteille est constitué d'un vérin qui s'allonge lorsque la pompe hydraulique est actionnée. L'extrémité du vérin se termine par une selle ronde qui entre en contact avec la charge. La selle est fixée à une vis de levage filetée qui entre dans le vérin. La hauteur de la selle peut être ajustée en la tournant dans le sens antihoraire. L'ajustement de la hauteur de la selle est parfois nécessaire lorsque le vérin entièrement déployé n'est pas suffisant pour lever la charge jusqu'à la hauteur désirée.
4. Il arrive que de l'air soit piégé dans le système hydraulique durant l'expédition du cric. Il y a présence d'air dans le système hydraulique lorsque le mouvement du manche semble mou lors du pompage et qu'il ne permet pas au cric de produire un mouvement de levée complet et uniforme.



#### POUR PURGER L'AIR DU SYSTÈME HYDRAULIQUE

- a. Ouvrir la soupape de relâchement en tournant deux fois le manche en sens antihoraire par rapport à sa position fermée.
- b. Actionner à fond dix fois la pompe.
- c. Fermer la soupape de relâchement en tournant le manche en sens horaire jusqu'à ce que le bouton soit bien serré.
- d. Pomper le cric jusqu'à ce que le vérin atteigne la hauteur maximale.
- e. Répéter les étapes « a » à « d » jusqu'à ce que l'air soit complètement purgé du système.

5. Ne pas soulever plus d'une roue du véhicule à la fois. Allumer les feux de détresse, couper le contact, positionner le levier de vitesse à « Park » dans le cas d'une transmission automatique ou en marche arrière s'il s'agit d'une transmission manuelle et actionner le frein de stationnement. La roue du véhicule diagonalement opposée à la roue soulevée devrait être calée en avant et en arrière. Pour connaître la procédure de changement de pneu et les points de levage recommandés pour un véhicule, se renseigner auprès du fabricant du véhicule.
6. Placer le cric sur le point de levage approprié. Déterminez la longueur de vérin nécessaire pour lever la charge jusqu'à la hauteur désirée. Si la hauteur désirée dépasse la longueur totale du vérin, dévisser la vis de levage pour combler la différence.
7. Faire monter le cric jusqu'à ce que la selle soit placée près du point de levage. S'assurer que le point de levage est droit, parallèle au sol et exempt de graisse, de lubrifiant et de débris. Continuer à faire monter le cric pour lever la charge jusqu'à la hauteur désirée. Pendant l'opération de levage, vérifier si le cric est bien positionné sur le sol et que la selle est bien en contact avec la charge pour prévenir tout risque d'instabilité. Si la charge semble instable, abaisser lentement et complètement le cric et apporter les ajustements nécessaires.
8. Lever de nouveau la charge jusqu'à la hauteur désirée, placer immédiatement des chandelles aux endroits recommandés et ajuster les colonnes de soutien des chandelles le plus près possible sous les points d'appui appropriés. Même si les chandelles possèdent chacune la capacité nominale nécessaire, elles doivent être utilisées par paire pour soutenir la charge. Ouvrir la soupape de relâchement du cric-bouteille lentement et avec précaution de façon à ce que la charge descende doucement et repose sur les chandelles. S'assurer que la charge est soutenue de manière sécuritaire par la selle des chandelles, et non par les mentonnets. Vérifier si les chandelles sont bien positionnées sur le sol et que leur colonne et leur selle sont bien en contact avec la charge pour prévenir tout risque d'instabilité. Si la charge semble instable, fermer la soupape de relâchement du cric-bouteille et faire monter le cric afin de retirer la charge des chandelles. Apporter les ajustements nécessaires et abaisser la charge lentement et avec précaution sur la selle des chandelles.
9. Une fois le travail terminé, fermer la soupape de relâchement et faire monter le cric suffisamment pour retirer la charge de la selle des chandelles. S'assurer que la charge

**776-1037, 776-1038,**

**776-1039, 776-1040, 776-1041, 776-  
1042, 776-1021 and 776-1022**

est stable. Si ce n'est pas le cas, abaisser de nouveau la charge sur les chandelles. Apporter les ajustements nécessaires et répéter les étapes. Retirer les chandelles sous la charge en prenant bien soin de ne pas faire bouger la charge.

10. Ouvrir la soupape de relâchement du cric-bouteille lentement et avec précaution pour abaisser la charge jusqu'au sol.
11. **Ne jamais se glisser sous le véhicule lorsque celui-ci est soutenu ou soulevé par le cric.**

### ENTRETIEN PRÉVENTIF



Voici le symbole utilisé pour dans la section ENTRETIEN PRÉVENTIF du présent manuel pour avertir du risque de blessure. Suivre toutes les directives pour éviter des blessures pouvant être graves ou mortelles.

**IMPORTANT:** Tout vérin trouvé défectueux à la suite de pièces usées en raison d'un manque de lubrification ou d'une lubrification insuffisante n'est pas admissible à la considération de garantie.

1. Toujours ranger le cric dans un endroit bien protégé des intempéries, des vapeurs corrosives, de la poussière abrasive ou de tout autre élément dommageable. La neige, l'eau, le sable et la poussière doivent être nettoyés avant d'utiliser le cric.
2. Le cric doit être lubrifié périodiquement afin d'éviter l'usure prématurée des pièces. Une graisse à usage général doit être appliquée sur tous les embouts graisseurs, les roulettes, l'essieu avant, le bras de levage, l'axe d'articulation du support du manche, le mécanisme de dégagement et toutes les surfaces portantes
3. À moins d'une fuite, il ne devrait pas être nécessaire de remplir le réservoir de liquide hydraulique. Toute fuite doit être immédiatement réparée dans un environnement sans poussières par un technicien qualifié en réparation de composantes hydrauliques et familier avec ce type d'équipement. Il est recommandé de faire appel à un centre de service autorisé.

**IMPORTANT:** Pour prévenir les dommages aux joints d'étanchéité et la défectuosité du cric, ne jamais utiliser d'alcool, de liquide à freins hydrauliques ni d'huile à transmission dans le cric. Utiliser l'huile hydraulique NAPA conçue pour les crics n° 765-1541.

4. Le propriétaire du cric doit s'assurer que l'étiquette apposée sur le cric demeure propre et lisible. Utiliser une solution savonneuse douce pour nettoyer les surfaces externes du cric, mais pas les composantes hydrauliques mobiles.

### GARANTIE LIMITÉE

**GARANTIE LIMITÉE DE 180 JOURS :** L'équipement de levage EVERCRAFT est garanti contre les défauts de matériel ou de fabrication. Toute unité présentant un défaut de matériel ou de fabrication dans les 180 jours suivant l'achat initial sera remplacée gratuitement. Dans l'éventualité peu probable où l'unité devrait être remplacée, la retourner au point de vente et elle sera remplacée gratuitement.

Cette obligation est la seule responsabilité de Balkamp Inc. en vertu de la présente garantie ou de toute garantie implicite, et Balkamp Inc. ne peut en aucun cas être tenue responsable de dommages indirects ou consécutifs.

**VEUILLEZ LIRE TOUS LES AVERTISSEMENTS AVANT D'UTILISER  
L'OUTIL. CONSERVEZ CE GUIDE POUR CONSULTATION ULTÉRIEURE.**