

RIVERSIDE (HW WS)

MODEL "5630-1" MONTGOMERY WARDS

HYDRAULIC JACK REPAIR PARTS LIST

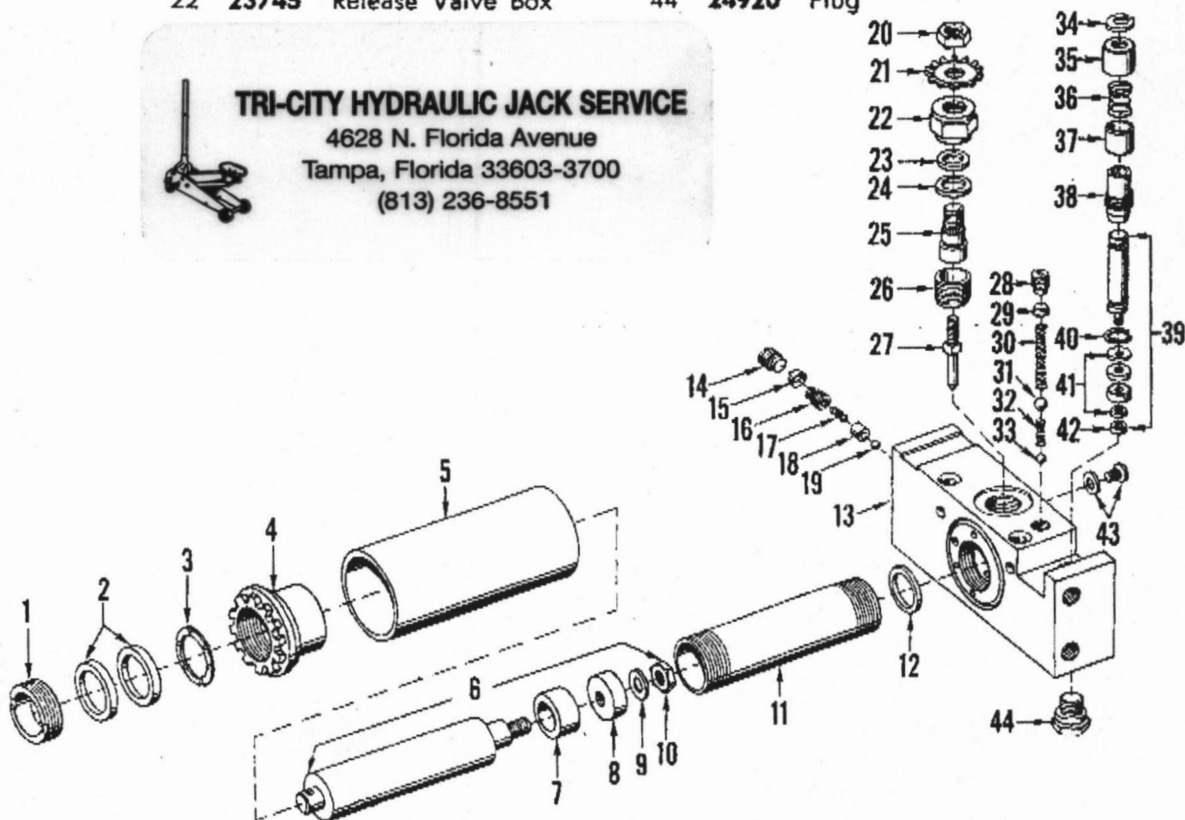
UNIT ASSEMBLY

ITEM NO.	PART NO.	DESCRIPTION	ITEM NO.	PART NO.	DESCRIPTION
1	24050	Packing Nut	23	24540	Packing
2	13375	Packing	24	23860	Thrust Washer
3	24060	Washer	25	23690	Stud
4	24040	Top Nut	26	23960	Stop
5	24005	Reservoir Tube	27	24140	Release Valve
6	5095	Ram Complete		80818	Pump Valves
7	24090	Spacer	28	11855	Plug
8	24105	Cup	29	11520	Valve Seal
9	11031	Retainer	30	23835	Spring
10	18960	Hex Nut	31	3010	Ball
11	24010	Cylinder	32	2185	Spring
12	21791	Seal	33	2675	Ball
13	23565	Unit Block	34	23695	Clip
14	11855	Plug	35	23970	Upper Guard
15	11520	Valve Seal	36	23610	Spring
16	17520	Adjusting Screw	37	23985	Lower Guard
17	16906	Spring	38	23753	Guide
18	17055	Spring Cap	39	5248	Piston Assembly
19	17220	Ball	40	25230	Eaton Snap Ring
	5105	Release Valve Assembly	41	80055	Piston Cup Assembly
20	26855	1/8-18 Hex Jam Nut	42	25480	1/4-28 Reg. Hex Jam Nut
21	23660	Gear, Nut	43	80007	Filler Screw w/washer
22	23745	Release Valve Box	44	24920	Plug



TRI-CITY HYDRAULIC JACK SERVICE

4628 N. Florida Avenue
Tampa, Florida 33603-3700
(813) 236-8551



REV. 4-2-73

Order parts from the nearest Official Service Station. Always state both model and serial number.

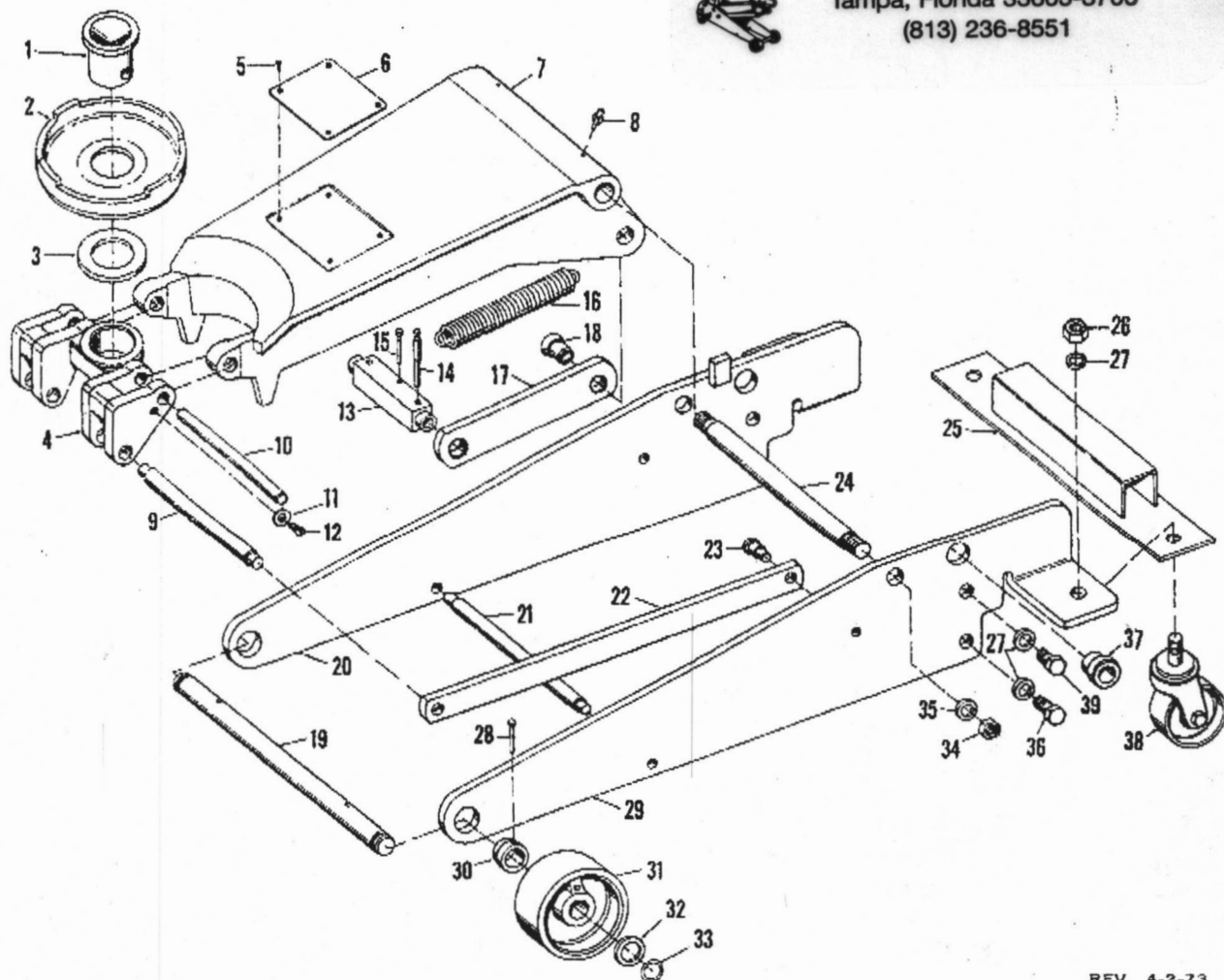
USE ONLY GENUINE HYDRAULIC JACK OIL IN ANY RIVERSIDE JACK

MONTGOMERY WARD & CO.

PRINTED IN U.S.A.

FRAME ASSEMBLY FOR MODEL "5630-1"

ITEM NO.	PART NO.	DESCRIPTION	ITEM NO.	PART NO.	DESCRIPTION
1	61678	Saddle Stud	21	23955	Cross Piece
2	61677	Saddle	22	23750	Parallel Link
3	61675	Spacer - Saddle	23	23905	Stud
4	19285	Saddle Holder	24	19105	Main Pin
5	14945	#6 x 1/4 Drive Screw	25	61673	Tie Plate Assembly
6	61684	Nameplate	26	26720	5/8-11 Hex Jam Nut
7	80056	Lift Arm	27	2180	Lockwasher
8	9750	Grease Fitting	28	19095	Rivet
9	23785	Pin	29	61672	L. H. Sideplate
10	61676	Saddle Pin	30	18710	Axle Bushing
11	26655	Washer	31	10370	Front Wheel
12	25620	1/4-28 x 5/8 Rd. Hd. Machine Screw	32	19195	Front Wheel Washer
13	23570	Cross Pin, Rivet & Studs	33	18610	Snap Ring
14	23550	Spring Stud	34	26110	3/4-16 Hex Jam Nut
15	19095	Rivet	35	2490	Lockwasher
16	23530	Pull Back Spring	36	26760	5/8-18 x 1 1/4 Hex Hd. Cap Screw
17	80057	Drag Link (Set of 2) w/23570	37	23780	Handle Bushing (Set of 2)
18	23560	Drag Link Stud	38	9445	Caster
19	18680	Front Axle	39	26765	5/8-18 x 1 Hex Hd. Cap Screw
20	61671	R. H. Sideplate			



TRI-CITY HYDRAULIC JACK SERVICE

4628 N. Florida Avenue
Tampa, Florida 33603-3700
(813) 236-8551

Order parts from the nearest Official Service Station. Always state both model and serial number.

USE ONLY GENUINE HYDRAULIC JACK OIL IN ANY RIVERSIDE JACK

MONTGOMERY WARD & CO.

PRINTED IN U.S.A.

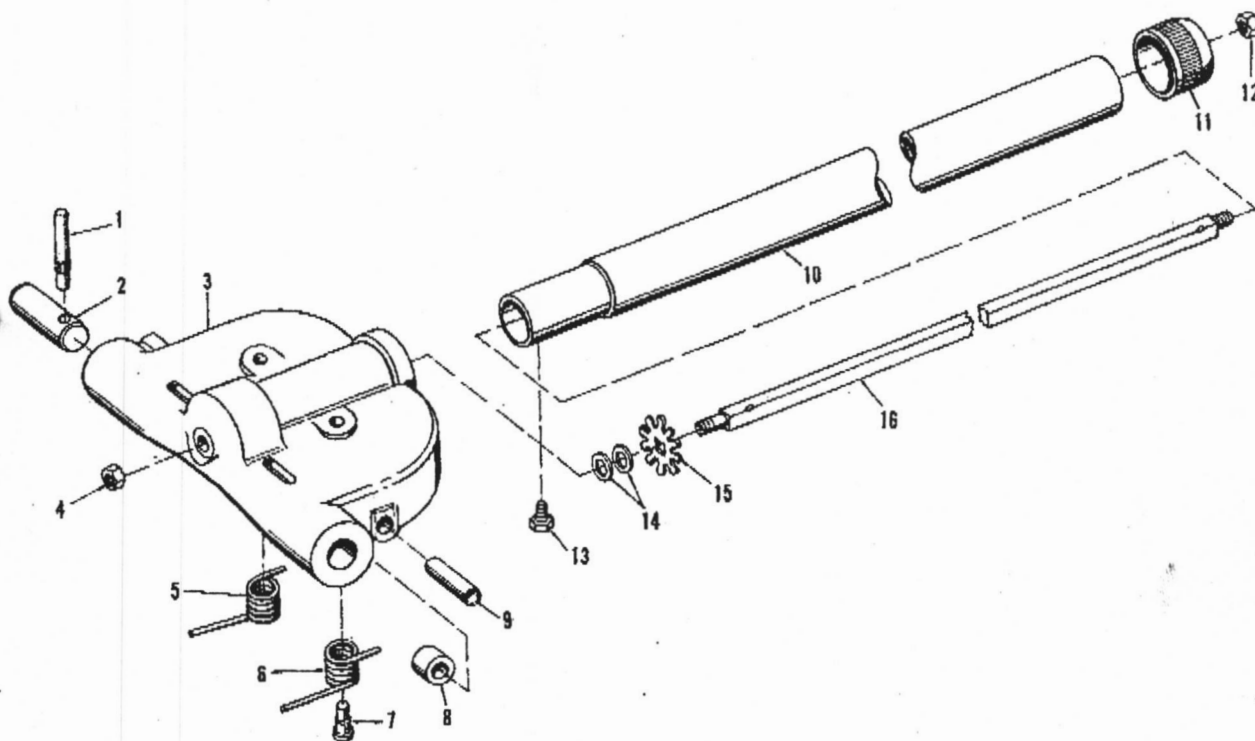
HANDLE ASSEMBLY FOR MODEL "5630-1"

ITEM NO.	PART NO.	DESCRIPTION	ITEM NO.	PART NO.	DESCRIPTION
	61668	Handle Assembly	9	24085	Roller Pin
1	23820	Finger Stud	10	24225	Handle Pin
2	23965	Handle Pivot Pin	11	24245	Knob
3	61674	Handle Fork	12	25480	1/4-28 Hex Jam Nut
4	25480	1/4-28 Hex Jam Nut	13	26645	5/16 x 1/2 Self Tap Screw
5	23790	Spring	14	23865	Washer
6	23810	Spring	15	23625	Release Gear
7	23845	Spring Stud	16	24230	Release Rod
8	23730	Pump Roller		55313	Caution Decal



TRI-CITY HYDRAULIC JACK SERVICE

4628 N. Florida Avenue
Tampa, Florida 33603-3700
(813) 236-8551



REV. 4-2-73

Order parts from the nearest Official Service Station. Always state both model and serial number.

USE ONLY GENUINE HYDRAULIC JACK OIL IN ANY RIVERSIDE JACK

MONTGOMERY WARD & CO.

PRINTED IN U.S.A.