

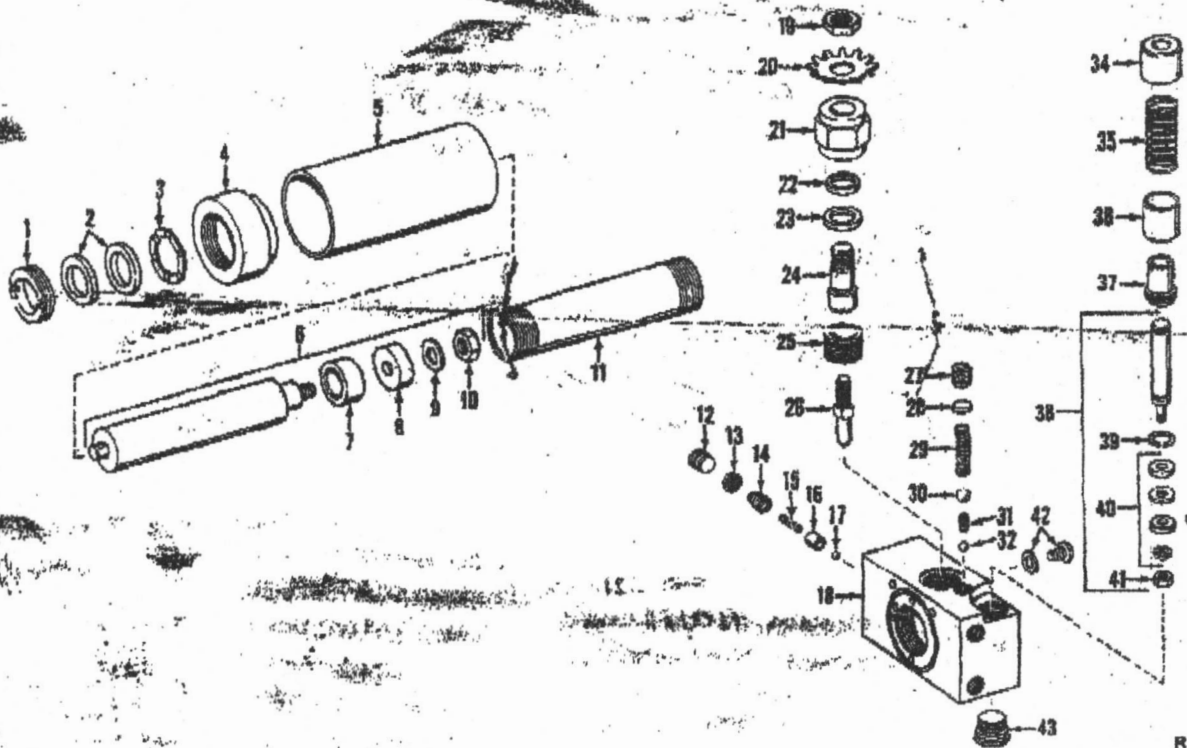
RIVERSIDE

MODEL "5629-1"

HW-05
 S/N 097404
 MONTGOMERY WARD
 & COMPANY
 Model 5629
 2500 lb capacity

UNIT ASSEMBLY

| ITEM NO. | PART NO. | DESCRIPTION | ITEM NO. | PART NO. | DESCRIPTION |
|----------|----------|-------------------------|----------|----------|-----------------------|
| 1 | 25045 | Packing Nut | 22 | 24540 | Packing |
| 2 | 11385 | Packing | 23 | 24795 | Thrust Washer |
| 3 | 25065 | Washer | 24 | 24695 | Stud |
| 4 | 25025 | Top Nut | 25 | 24865 | Stop |
| 5 | 24980 | Reservoir Tube | 26 | 25135 | Release Valve |
| 6 | 5250 | Ram complete | | 80345 | Pump Valves |
| 7 | 25095 | Spacer | 27 | 11855 | Plug |
| 8 | 24775 | Cup | 28 | 11520 | Seal |
| 9 | 2025 | Retainer | 30 | 3010 | Ball |
| 10 | 26270 | 3/8-24 Std. Hex Jam Nut | 31 | 2185 | Spring |
| 11 | 25005 | Cylinder | 32 | 2675 | Ball |
| 12 | 11855 | Plug | 33 | 23695 | Clip |
| 13 | 11520 | Seal | 34 | 23970 | Upper Guard |
| 14 | 17520 | Adjusting Screw | 35 | 23610 | Spring |
| 15 | 16906 | Spring | 36 | 23985 | Lower Guard |
| 16 | 17055 | Spring Cap | 37 | 23755 | Guide |
| 17 | 17220 | Ball | 38 | 5248 | Piston Assembly |
| 18 | 24620 | Body for Unit | 39 | 25230 | Eaton Snap Ring |
| | 5249 | Release Valve Assembly | 40 | 80055 | Piston Cup Assembly |
| 19 | 24850 | Hex Jam Nut | 41 | 25480 | 1/4-28 Hex Jam Nut |
| 20 | 23660 | Gear | 42 | 80007 | Filler Screw w/Washer |
| 21 | 24715 | Release Valve Box | 43 | 24920 | Plug |



REV. 4-2-73

Order parts from the nearest Official Service Station. Always state both model and serial number.

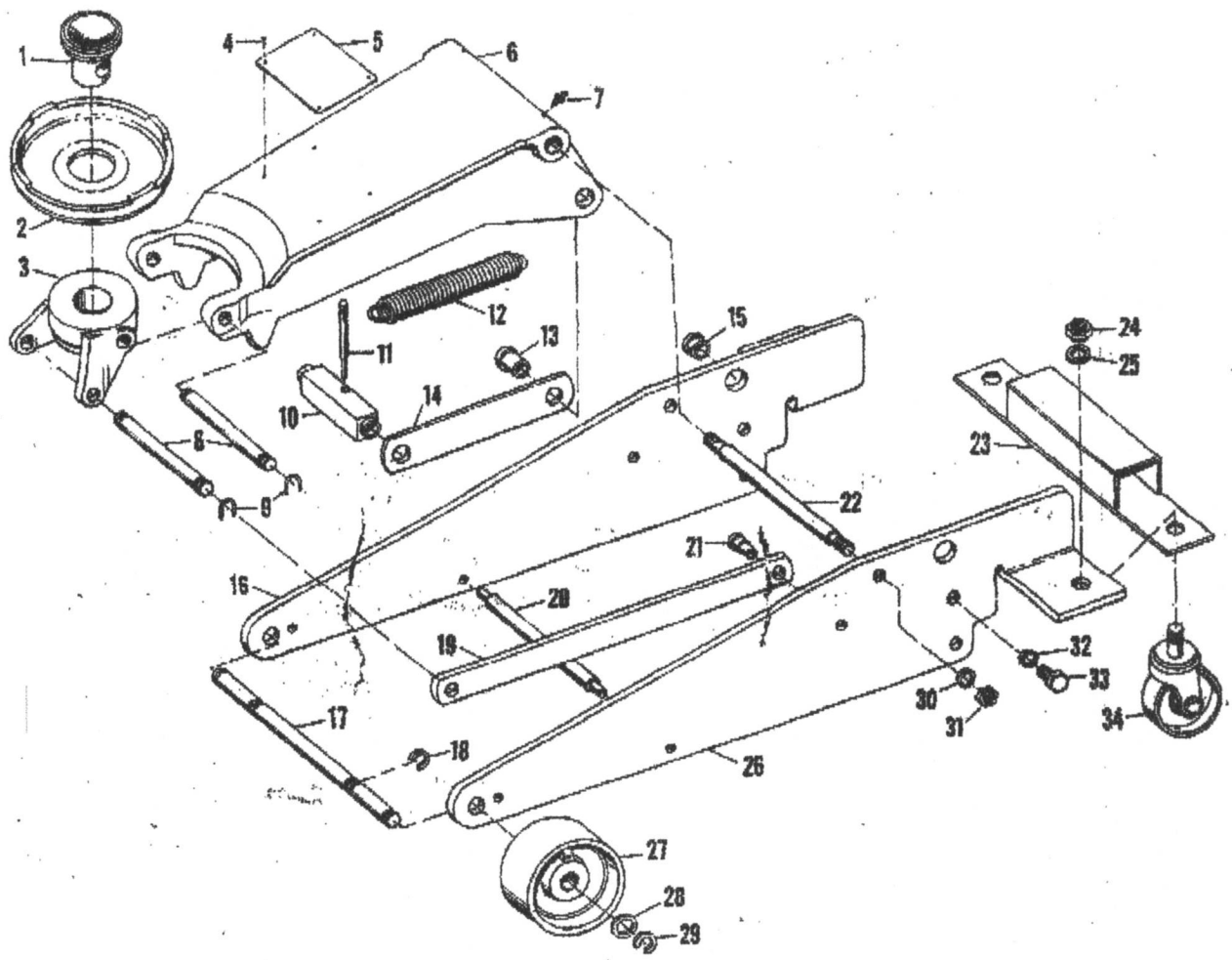
USE ONLY GENUINE HYDRAULIC JACK OIL IN ANY RIVERSIDE JACK

MONTGOMERY WARD & CO.

PRINTED IN U.S.A.

FRAME ASSEMBLY FOR MODEL "5629-1"

| ITEM NO. | PART NO. | DESCRIPTION | ITEM NO. | PART NO. | DESCRIPTION |
|----------|----------|------------------------------|----------|----------|--------------------|
| 1 | 61658 | Saddle Stud | 18 | 24490 | Clip |
| 2 | 61677 | Saddle | 19 | 24745 | Parallel Link |
| 3 | 24675 | Saddle Holder | 20 | 24840 | Cross Piece |
| 4 | 14945 | #6 x 1/4 Drive Screw | 21 | 24830 | Stud |
| 5 | 61665 | Nameplate | 22 | 24960 | Main Pin |
| 6 | 24460 | Lift Arm | 23 | 61652 | Tie Plate Assembly |
| 7 | 9750 | Grease Fitting | 24 | 26720 | 5/8-11 Hex Jam Nut |
| 8 | 24685 | Pin | 25 | 2180 | Lockwasher |
| 9 | 16810 | Clip | 26 | 61661 | L. H. Side Plate |
| 10 | 61657 | Cross Pin | 27 | 10350 | Front Wheel |
| 11 | 61664 | Spring Stud | 28 | 18670 | Washer |
| 12 | 23530 | Return Spring | 29 | 24490 | Clip |
| 13 | 24605 | Drag Link Stud | 30 | 2156 | Lockwasher |
| 14 | 61654 | Drag Link, Set of 2, w/61657 | 31 | 18960 | Hex Jam Nut |
| 15 | 24770 | Bushing, Set of 2 | 32 | 2156 | Lockwasher |
| 16 | 61660 | R. H. Side Plate | 33 | 24445 | Bolt |
| 17 | 61659 | Front Axle | 34 | 9445 | Caster |



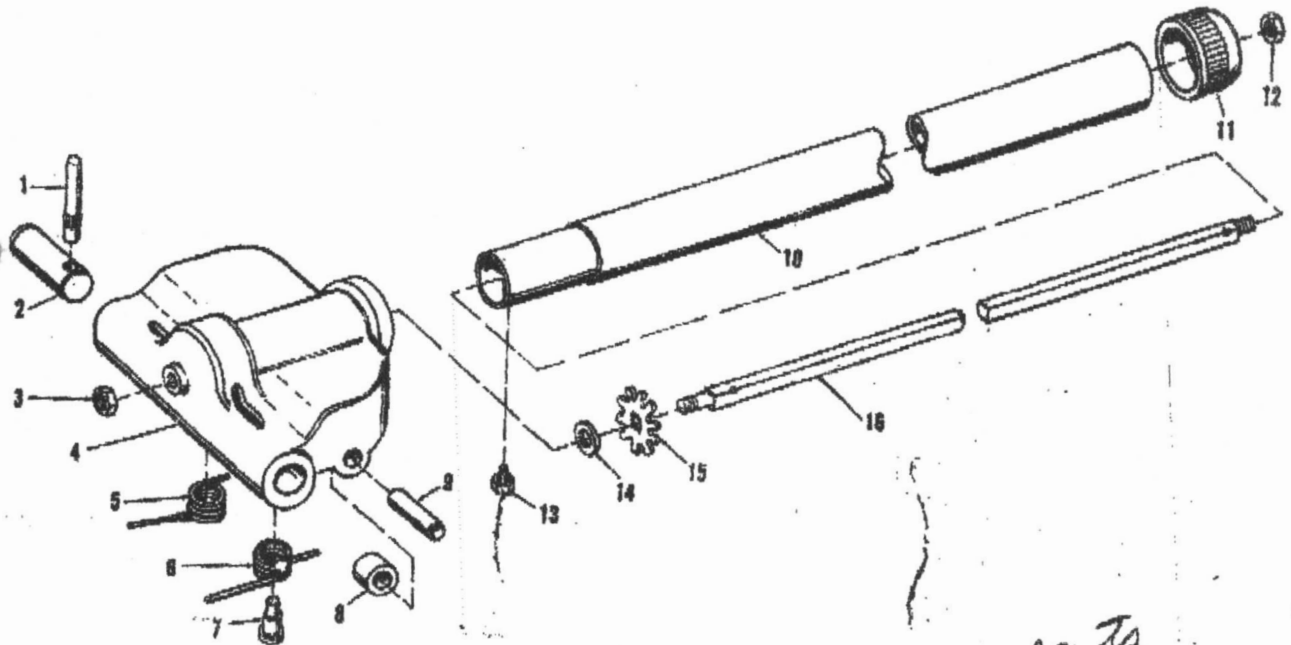
REV. 4-2-73

Order parts from the nearest Official Service Station. Always state both model and serial number.
USE ONLY GENUINE HYDRAULIC JACK OIL IN ANY RIVERSIDE JACK
MONTGOMERY WARD & CO.

PRINTED IN U.S.A.

HANDLE ASSEMBLY FOR MODEL "5629-1"

| ITEM NO. | PART NO. | DESCRIPTION | ITEM NO. | PART NO. | DESCRIPTION |
|----------|--------------|------------------|----------|--------------|--------------------|
| | 61655 | Handle Assembly | 9 | 25085 | Roller Pin |
| 1 | 23820 | Finger Stud | 10 | 24225 | Handle Pipe |
| 2 | 24970 | Handle Pivot Pin | 11 | 24245 | Knob |
| 3 | 25540 | 1/4-28 Hex Nut | 12 | 25480 | 1/4-28 Hex Jam Nut |
| 4 | 61656 | Handle Fork | 13 | 24910 | Self-Tap Screw |
| 5 | 23790 | Spring | 14 | 23865 | Washer |
| 6 | 23810 | Spring | 15 | 23625 | Release Gear |
| 7 | 23845 | Spring Stud | 16 | 24230 | Release Rod |
| 8 | 23730 | Pump Roller | 17 | 55313 | Caution Decal |



PA 813-236-8551

*1-REV-323-1965 parts
Montgomery Ward & Co.
1-200-00-5151*

REV. 4-2-73

Order parts from the nearest Official Service Station. Always state both model and serial number.

USE ONLY GENUINE HYDRAULIC JACK OIL IN ANY RIVERSIDE JACK

MONTGOMERY WARD & CO.

PRINTED IN U.S.A.