

1½ TON PORTABLE FLOOR SERVICE JACK

FLOOR SERVICE
JACK

MODEL	CAP. (TONS)
61-85044	1½

MONTGOMERY
WARD

owner's guide
and PARTS LIST

FORM NO. 794



CAUTION

THIS JACK IS DESIGNED FOR JACKING PURPOSES ONLY. AFTER JACKING, ALWAYS USE SAFETY STANDS TO SUPPORT LOAD BEFORE MAKING REPAIRS. FOR YOUR SAFETY—DO NOT OVERLOAD THIS JACK BEYOND ITS RATED CAPACITY.

OPERATING INSTRUCTIONS

Installing the Handle

Back out lower Hex Head Bolt and insert handle into handle base as shown. Rotate handle slightly to make sure hex opening fully engages Release Valve Key. Handle must be all the way into handle base (up to RED LINE) or Jack will not lower. When Handle is fully engaged with Key, Turn Hex Head Bolt into Handle Base all the way until snug.

IMPORTANT: Sometimes during shipment and handling, air gets into the hydraulic system, causing poor lifting performance. Purge any air from the system by simply opening Release Valve (turn handle counter-clockwise) and operate pump handle rapidly several times.

Positioning under Load & Raising Jack

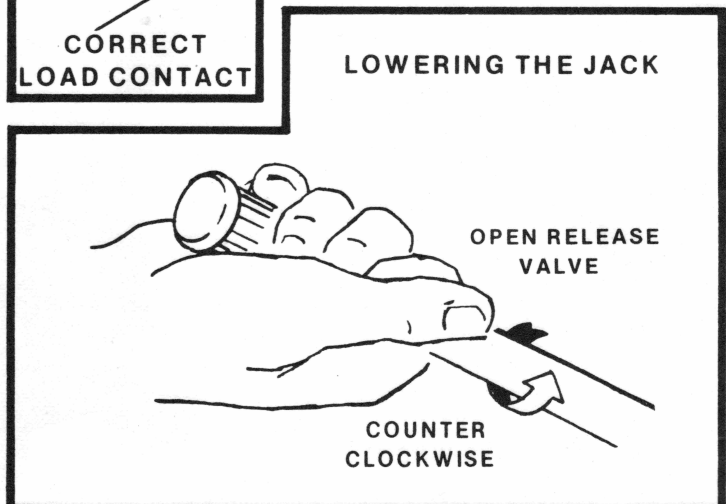
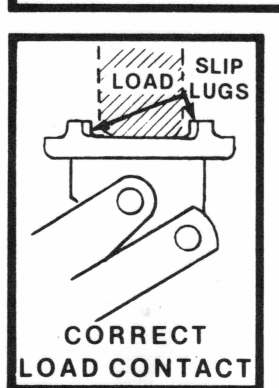
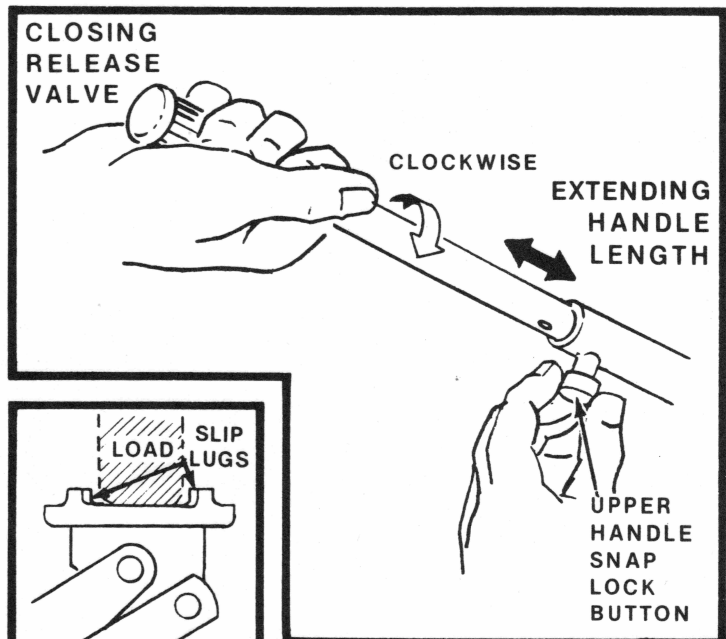
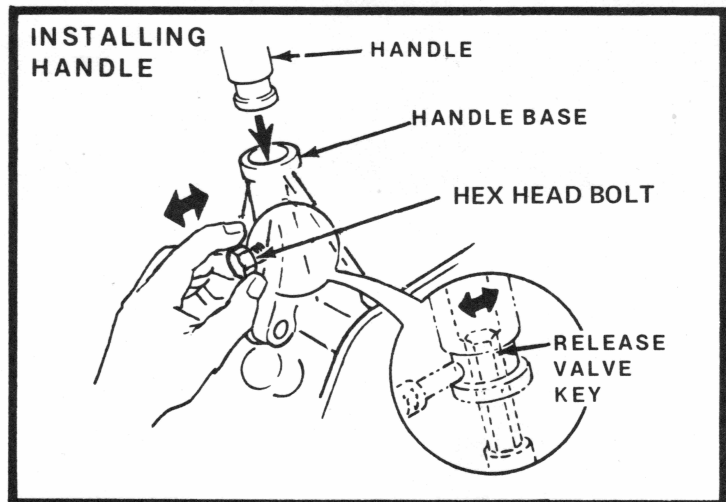
1. Close Release Valve TIGHTLY by turning handle CLOCKWISE.
2. Extend handle length if needed by releasing upper handle Snap Lock and pulling out upper handle until mating hole lines up with Snap Lock button. Release button to lock handle in place.
3. Position jack under load so that saddle will contact load firmly and is centered by slip lugs so it cannot slip.
4. Operate jack handle until saddle approaches contact with load. Once again, check to see that saddle is correctly positioned and load is "LOCKED IN" by Slip Lugs. Raise load to desired height.

Lowering the Jack

Open Release Valve VERY SLOWLY by turning handle COUNTER-CLOCKWISE.

MAINTENANCE PROCEDURES

IMPORTANT: When adding or replacing oil, always use a good grade hydraulic jack oil. Avoid mixing types of oil. DO NOT use Brake Fluid, Alcohol, Glycerine, detergent motor oil or dirty oil. Improper fluid can cause serious internal damage to jack. When adding oil, be VERY CAREFUL not to permit dirt or any foreign matter to get into the system. Check Ram and Plunger every 3 months for any signs of rust or corrosion. Clean as needed and wipe with an oily cloth. When not using the jack, always leave the Saddle all the way down



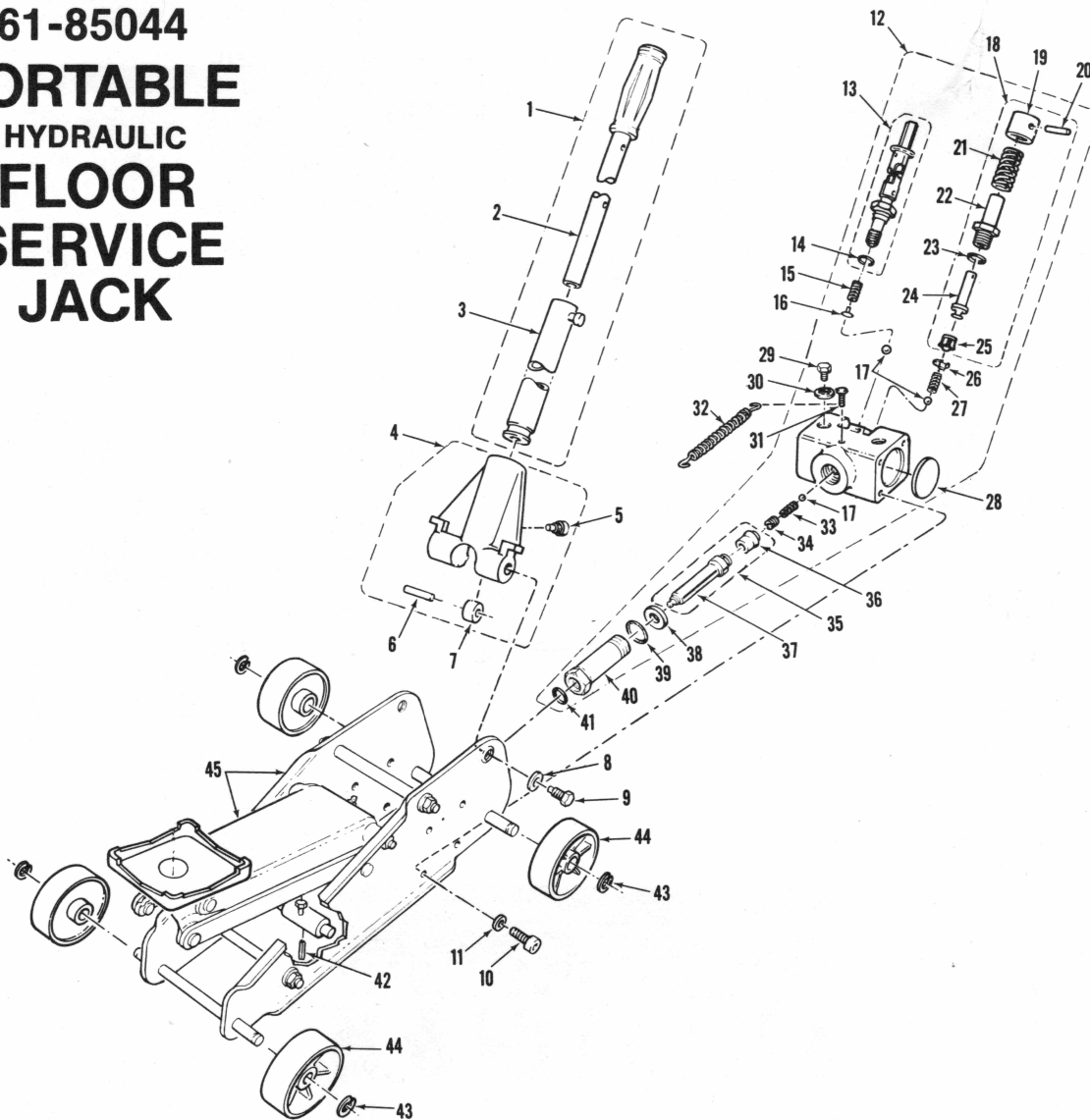


REPAIR PARTS

ARTICLE NO.

61-85044

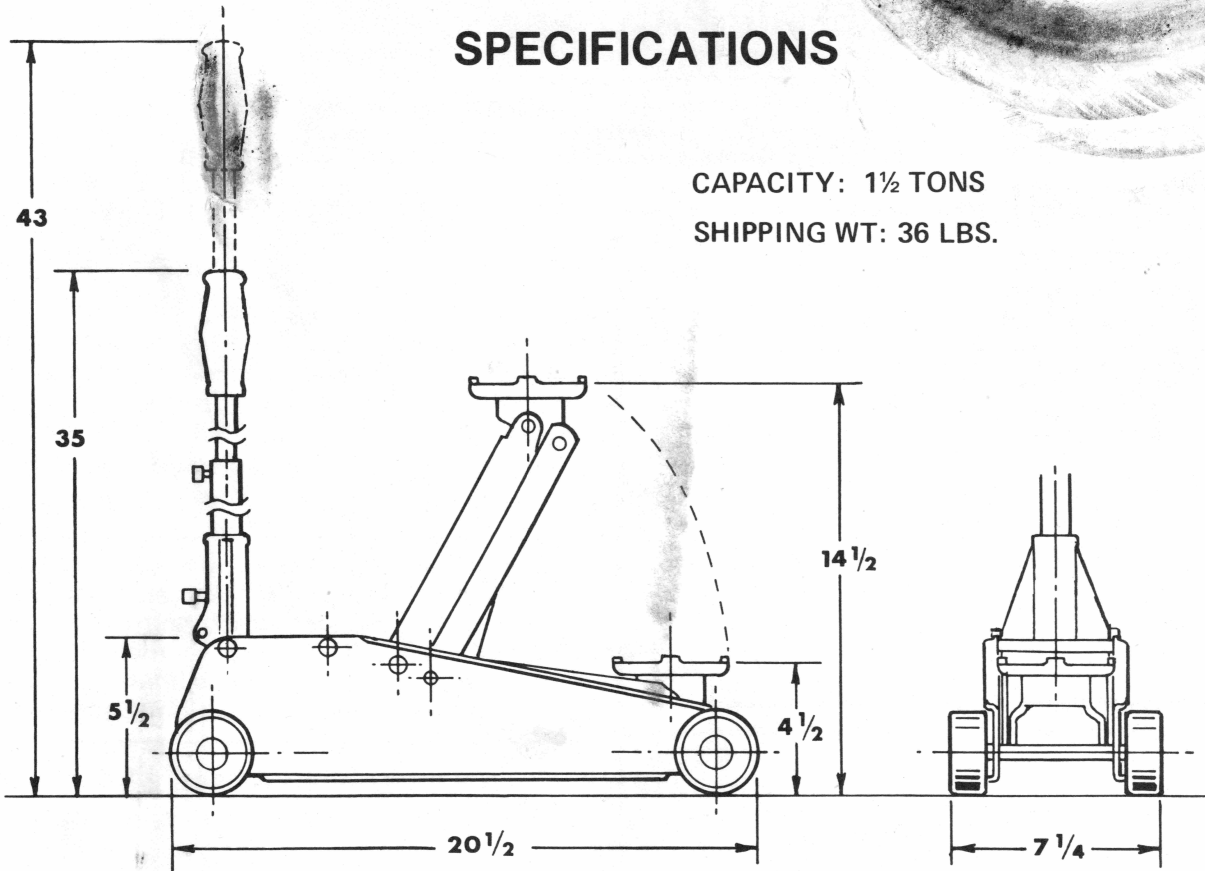
PORTABLE HYDRAULIC FLOOR SERVICE JACK



INDEX NO.	PART NO.	DESCRIPTION	INDEX NO.	PART NO.	DESCRIPTION	INDEX NO.	PART NO.	DESCRIPTION
1	213040	Handle Assy - complete <i>includes:</i>	15	4004	Spring-overload	34	3005	Screw
2	212005	Upper Handle Assy	16	213016	End Cap	35	213045	Ram Assy <i>includes:</i>
3	212010	Lower Handle Assy	17	9001	Check Ball 7/32"			Cup-packing
4	213050	Handle Base Assy <i>includes:</i>	18	213020	Pump Assy <i>includes:</i>	36	8019	Ram
5	3047	Bolt - Hex Hd 1/4-20	19	213023	Cap	37	213026	
6	7026	Pin	20	7034	Pin	38	213031	Gasket-Rubber
7	212027	Roller	21	4003	Spring	39	213034	Ring-backup
8	2044	Lockwasher	22	213022	Body	40	213030	Cylinder
9	213014	Screw-mtg.	23	8016	"O" Ring	41	8017	"O" Ring
10	3034	Screw - 1/4-20	24	213021	Piston			
11	2004	Lockwasher	25	8020	Cup-packing	42	7034	Pin
12	213035	Oil Block Assy - complete <i>includes:</i>	26	213033	Retainer	43	2003	Snapring
13	213015	Release Valve Assy <i>includes:</i>	27	4009	Spring	44	212207	Wheel
14	8018	"O" Ring	28	212103	Plug-freeze	45	213005	Frame & Elevator Arm Assy
			29	3043	Bolt-Filler Plug			
			30	8011	Stat-o-seal			
			31	3002	Screw			
			32	4006	Spring			
			33	4005	Spring			

SPECIFICATIONS

CAPACITY: 1½ TONS
SHIPPING WT: 36 LBS.



**MONTGOMERY
WARD**

ARTICLE NO.

61-85044

**1½ TON CAPACITY
PORTABLE
HYDRAULIC
FLOOR SERVICE JACK**

Made in U.S.A.

PATENT NO.
4018421