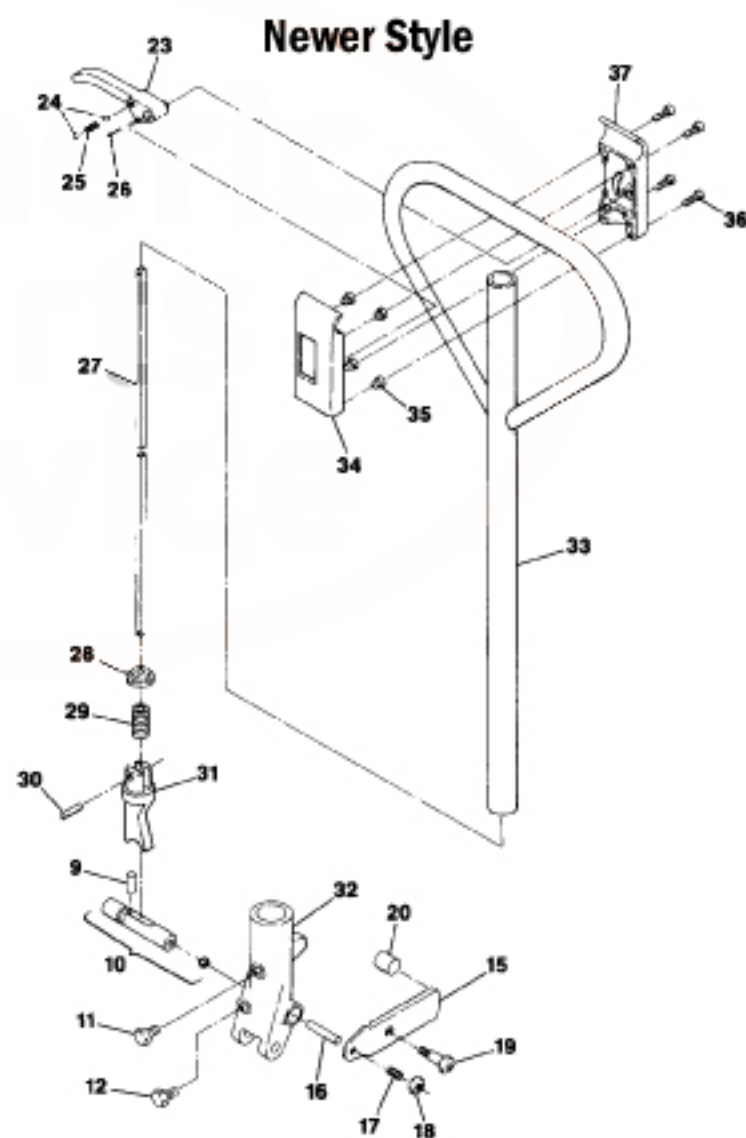
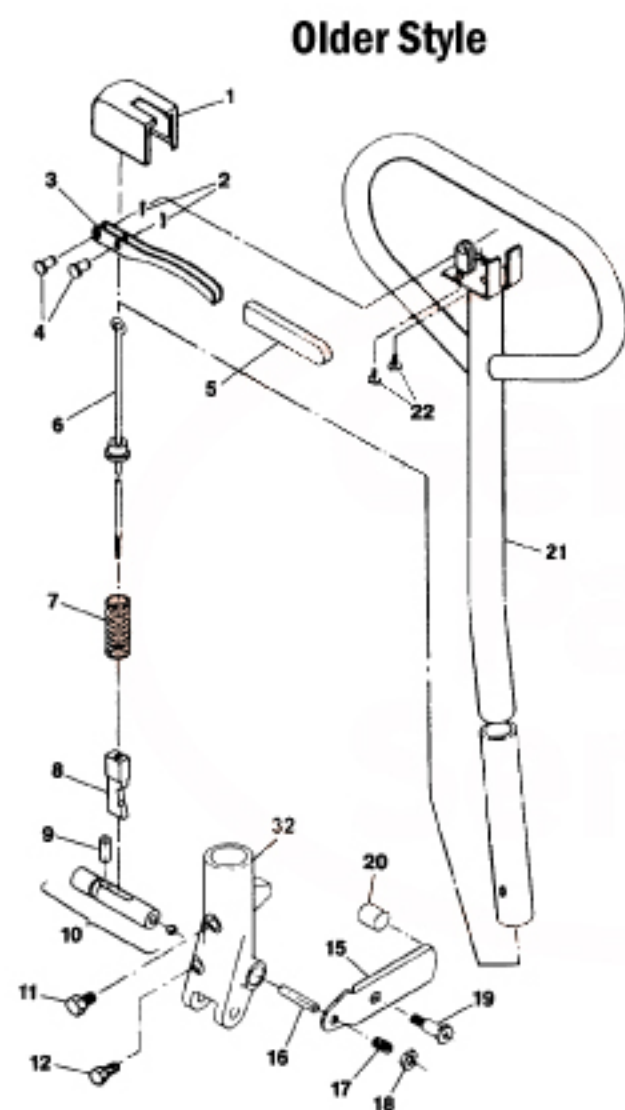


## Rol-Lift Series T and E Hand Control Handle



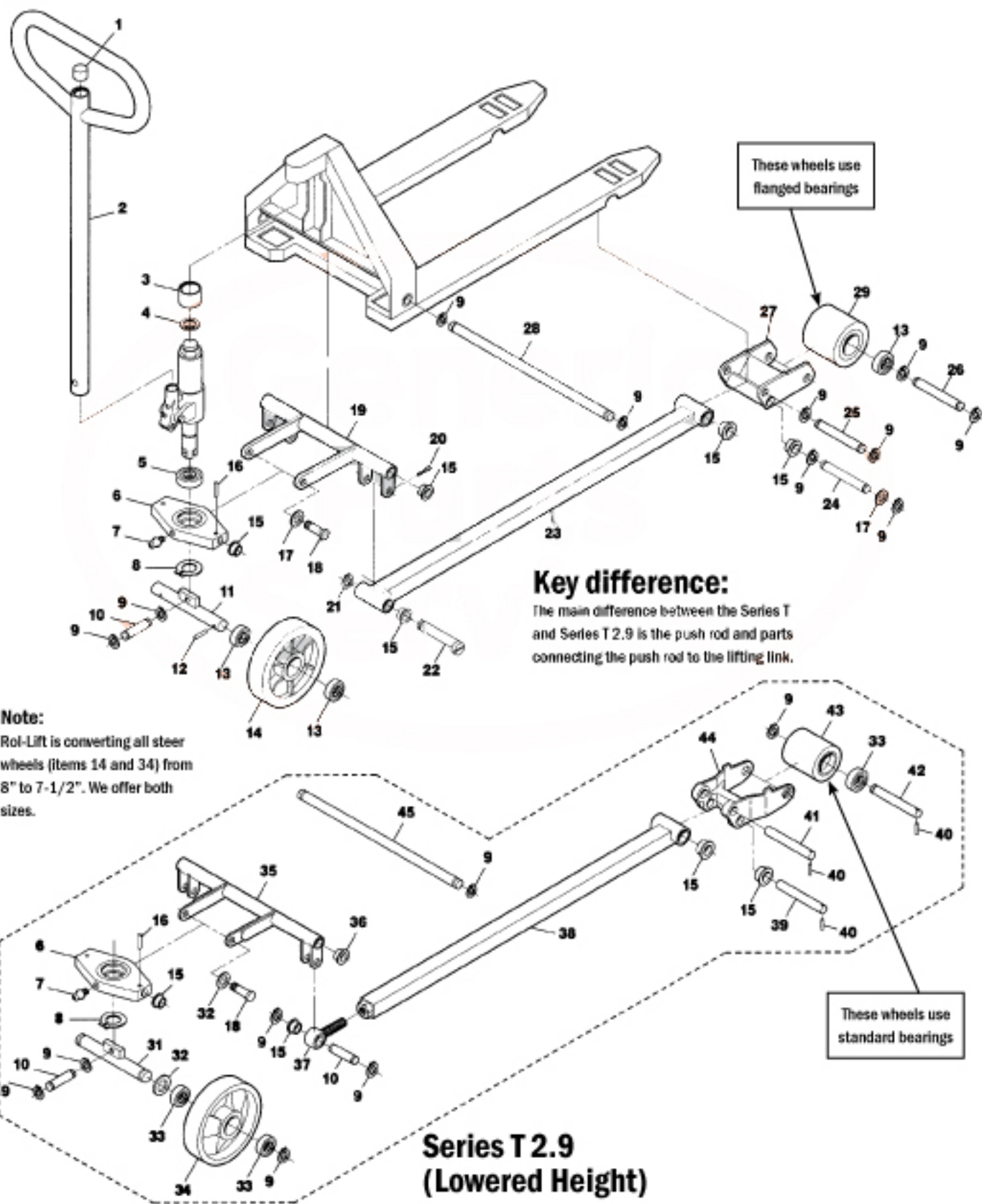
## Rol-Lift Series T and E Hand Control Handle

Item	Part No.	Description
1	Not Available	Plastic Cover
2	3-25500	Cotter Pin
3	Not Available	Control Lever
4	3-60000	Pin
5	Not Available	Control Lever Grip
6	7-00008	Control Rod
7	3-20001	Spring
8	3-27003	Actuator
9	3-27010	Pivot Shaft
10	3-27163-S	Pivot Shaft Assembly
11	3-02000-03	Handle Bolt
12	3-04501-07	Set Screw
15	7-30048	Fulcrum Bar
16	Not Available	Glide Pin (No Longer Sold Separately, Use Item 10)
17	3-08006-04	Adjusting Screw
18	3-50064	Nut
19	3-00087-04	Bolt
20	4-00078	Pin
21	Not Available	Handle Assembly (See Item 33)

Item	Part No.	Description
22	3-09998	Screw
23	3-27133	Control Lever
24	3-30000	Ball
25	3-20017	Spring
26	3-25750-07	Roll Pin
27	3-27166	Control Rod
28	3-27134	Spring Retainer
29	3-20016	Spring
30	3-25750-05	Roll Pin
31	3-27138	Actuator
32	4-60082	Handle Socket (Hand Control Models)
	4-60072	Handle Socket (Foot Control Models)
33	7-60016	Handle Frame
	8-60017	Handle Assembly
	KIT-5072-TPTUM	Handle Assembly (Includes Items 9-12 & 23-33)
34	3-27132	Front Cover
35	3-51001	Spacer
36	3-00006-04	Screw
37	3-27131	Back Cover

# Rol-Lift Series T Frame

Including Series T 2.9 (Lowered Height) Jacks



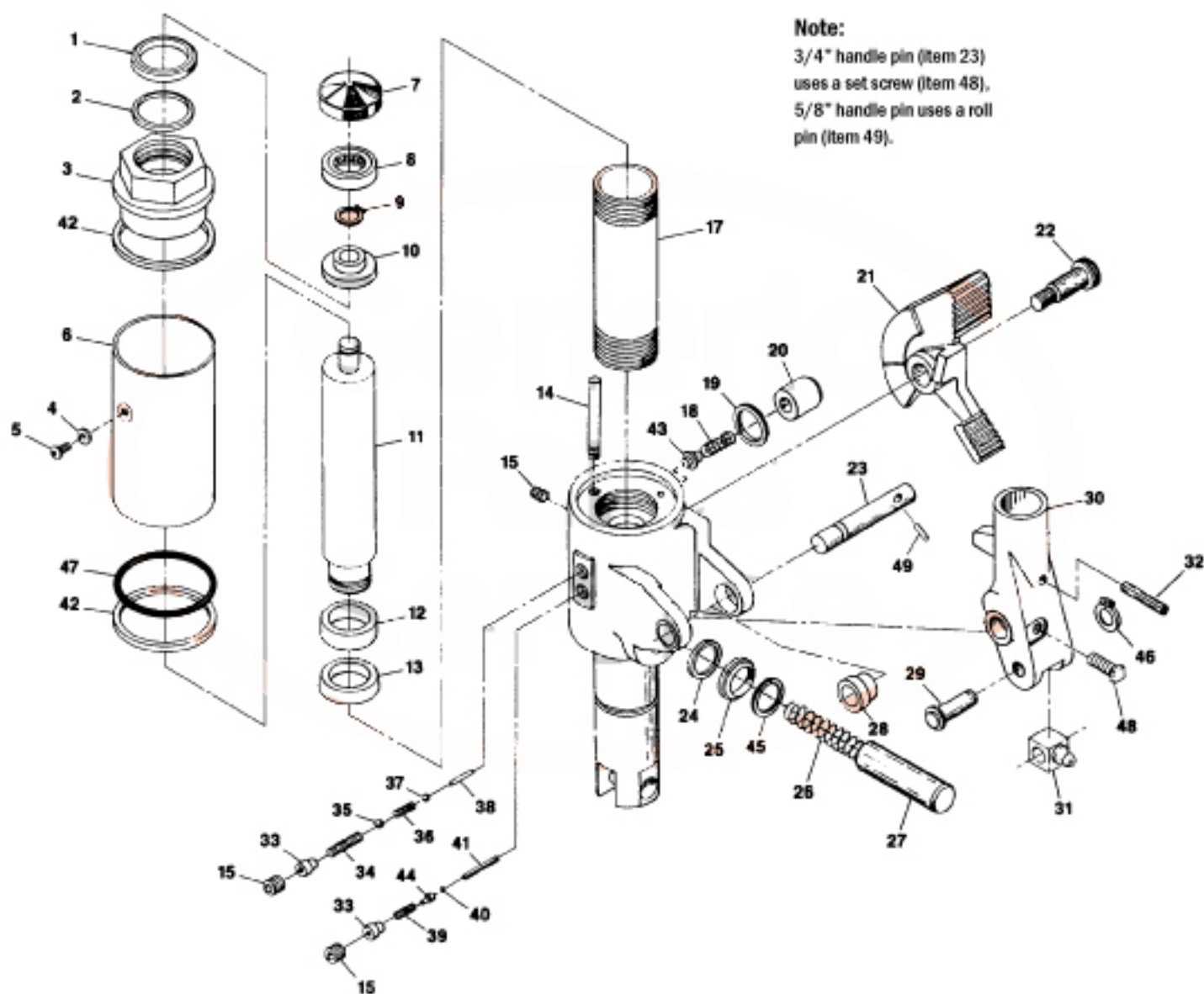
# Rol-Lift Series T Frame

Including Series T 2.9 (Lowered Height) Jacks

Item	Part No.	Description
1	3-27137	Handle Plug
2	7-60017	Handle Frame (Foot Control Models)
3	4-00103	Bushing Weldment
4	3-11005	Snap Ring
5	3-70001	Traverse Bearing
6	4-00058	Traverse
7	1-20002	Grease Fitting
8	3-11002	Snap Ring
9	3-11003	Snap Ring (1mm Thick)
	3-11036	Snap Ring (2mm Thick)
10	KIT-5144-TPTUM	Pin with Snap Rings
11	7-60021	Steer Wheel Axle
12	3-25801-06	Roll Pin
13	3-70002	Bearing (Flanged)
	T-22-WA	Bearing (Wet Application)
14	RL-32-HD	Steer Wheel Assembly, Red Ultra-Poly On Aluminum Hub W/ Bearings, 8" Diameter, Flanged Bearings
	RL-32-N	Steer Wheel Assembly, Nylon W/ Flanged Bearings, 8" Diameter
	RL-32-S	Steer Wheel Assembly, Steel W/ Flanged Bearings, 8" Diameter
15	3-27020	Bushing, 3/4", Nylon
16	3-25800-07	Roll Pin
17	3-27021	Washer
18	4-00107	Shoulder Pin
19	7-61006-02	Lifting Link, 27" Wide Jack, 7" Wide Forks (Ear Inset 3/4")
	KIT-5037-TPTUM	Lifting Link, 27" Wide Jack, 6" Wide Forks (Ears Are Flush)
20	3-04501-05	Set Screw
21	3-11004	Snap Ring
22	4-00308	Eccentric Pin
23	7-60010-04	Push Rod, 48" Forks
24	4-61036	Pivot Axle, 7" Wide Forks
	4-00102	Pivot Axle, 6" Wide Forks
25	4-61095	Push Rod Axle, 7" Wide Forks
	4-00101	Push Rod Axle, 6" Wide Forks
26	4-00100	Load Roller Axle
27	7-61005	Load Roller Bracket, 7" Wide Forks
	4-00089-HD	Load Roller Bracket, 6" Wide Forks (Heavy Duty)

Item	Part No.	Description
28	4-00117-02	Lifting Link Shaft, 27" Wide Jack
29	3-91003-A-D	Load Roller Assembly, Red Ultra-Poly On Aluminum Hub W/ 4 Flanged Bearings, 6500# Capacity
	RL-31	Load Roller Assembly, Black Ultra-Poly On Steel Hub W/ Bearings, 3-1/4" Diameter, Flanged Bearings
	RL-31-N	Load Roller Assembly, Nylon W/ Flanged Bearings, 3-1/4" Diameter
	RL-31-S	Load Roller Assembly, Steel W/ Flanged Bearings, 3-1/4" Diameter
	RL-31-3	Load Roller Assembly, Red Ultra-Poly On Aluminum Hub W/ Bearings, 3" Diameter, Flanged Bearings
	RL-31-S-3	Load Roller Assembly, Steel W/ Flanged Bearings, 3" Dia.
31	KIT-5090-TPTUM	Steer Wheel Axle Assembly (Includes item 9)
32	3-10203	Washer
33	BRG-5000-TPTUM	Bearing
34	WHL-5012-TPTUM	Steer Wheel Assembly, Poly On Nylon Hub W/ Bearings, 7-1/2" Diameter, Flanged Bearings
35	LVB-5004-TPTUM	Lifting Link, 27" Wide Jack
36	BSH-5001-TPTUM	Bushing
37	PHR-5010-TPTUM	Eye Bolt
38	PHR-5004-TPTUM	Push Rod, 48" Forks
39	PNB-5025-TPTUM	Pivot Axle, 7" Wide Forks
	PNB-5020-TPTUM	Pivot Axle, 6" Wide Forks
40	3-25801-06	Roll Pin
41	PNB-5019-TPTUM	Push Rod Axle
42	KIT-5136-TPTUM	Load Roller Axle
43	WHL-5013-TPTUM-D	Load Roller Assembly, Red Ultra-Poly On Aluminum Hub W/ Bearings, 3" Diameter, Standard Bearings
	WHL-5013-TPTUM	Load Roller Assembly, Black Ultra-Poly On Steel Hub W/ Bearings, 3" Diameter, Standard Bearings
	WHL-5010-EPTUM	Load Roller Assembly, Nylon W/ Bearings, 3" Diameter, Standard Bearings
	WHL-5013-TPTUM-S	Load Roller Assembly, Steel W/ Bearings, 3" Diameter, Standard Bearings
44	BKT-5004-TPTUM	Load Roller Bracket
45	KIT-5115-TPTUM	Lifting Link Shaft, 27" Wide Jack

# Rol-Lift Series T and E Hydraulic Unit



**Note:**  
3/4" handle pin (item 23)  
uses a set screw (item 48),  
5/8" handle pin uses a roll  
pin (item 49).

**Valve Pins Giving You Trouble?**  
Rol-Lift upper and lower valve pins  
often need to be customized to fit your  
hydraulic unit. Call us and we will fax  
you a copy of the grinding procedure.

# Rol-Lift Series T and E Hydraulic Unit

Item	Part No.	Description
1	AB 1A	Scraper (3000 lb)
	CDEF 1-33500	Scraper
2	AB 2A	Quad Ring (3000 lb)
	CDEF 1-30000	Quad Ring
3	4-00066	Top Nut
4	ABCDEF 3-10200	Washer
5	3-01000-02	Filler Plug
6	4-00075	Reservoir Housing
7	3-27005	Bearing Cap
8	3-70000	Thrust Bearing
9	3-11024	Snap Ring
	3-25751-06	Roll Pin
10	3-27006	Thrust Collar
11	KIT-5145-TPTUM	Ram Assembly
12	AB 14A	Bushing
	CDEF 3-27018	Bushing
13	AB 15A	U-Cup (3000 lb)
	CDEF 1-30500	U-Cup
14	1-04500	Hole Plug, 1/8"
	1-90001-02	Relief Valve (NLA replace w/ 1-04500)
15	CFG 1-04501	Screw Plug
17	4-00077	Sleeve
18	ABDF 3-20004	Spring (Foot Control Models)
	ABCD 3-20003	Spring (Hand Control Models)
19	ABCDEF 1-30001	Quad Ring, 1"
	F 4-00079	Pin (Foot Control)
20	C 4-00078	Pin (Hand Control)
	21	4-00057
22	3-00090-08	Bolt
23	4-61035	Handle Pin, 5/8", Brass Bushing
	4-00081	Handle Pin, 3/4", Nylon Bushing
24	AB 1-30001	Quad Ring, 1"
	ABCDEF 1-32000	U-Cup, 13/16"
25	AB 35	Scraper, 1"
	ABCDEF 1-33501	Scraper, 13/16"
26	A 3-20013	Spring (1" Piston)
	ACDF 3-20005	Spring (13/16" Piston)
27	4-60065	Piston, 1"
	CF 4-00080	Piston, 13/16"
28	3-27055	Bushing, 5/8", Brass
	ACDF 3-27020	Bushing, 3/4", Nylon

Item	Part No.	Description
29	4-00082	Piston Pusher Shaft
30	4-60072	Handle Socket (Foot Control Models)
	4-60082	Handle Socket (Hand Control Models)
31	CF 4-00083	Piston Pusher
32	3-25754-11	Roll Pin
33	ACDFG 3-27009	Spring Guide
34	ACDFG 3-20006	Spring
35	ABCDEF 3-30002	Ball
36	ACDFG 3-20007	Spring
37	ABCDEF RL 3-30000	Ball
38	4-00084	Upper Valve Pin (Round)
39	ACDFG 3-20008	Spring
40	ABCDEF 3-30001	Ball
41	4-00086	Lower Valve Pin (Square)
42	A 58A	Washer (3000 lb)
	CDEF 3-26002	Washer
43	ACDF 3-27008	Spring Guide
	44	ACDFG 3-27007
45	67	Retaining Ring (1" Piston)
	3-11000	Retaining Ring (13/16" Piston)
46	RL 3-11001	Snap Ring
47	AB 1-40004	O-Ring (3000 lb)
	CDEF 8B	O-Ring (5000 lb)
48	3-04501-05-A	Set Screw Kit
49	3-25750-07	Roll Pin
KITS	A T5BOK-F-SUPER	Super Seal Kit (1-5/8" Lift Ram) Foot Control
	B T5BOK-H-SUPER	Super Seal Kit (1-5/8" Lift Ram) Hand Control