

AIR-HYDRAULIC SERVICE JACK

20 TON CAPACITY

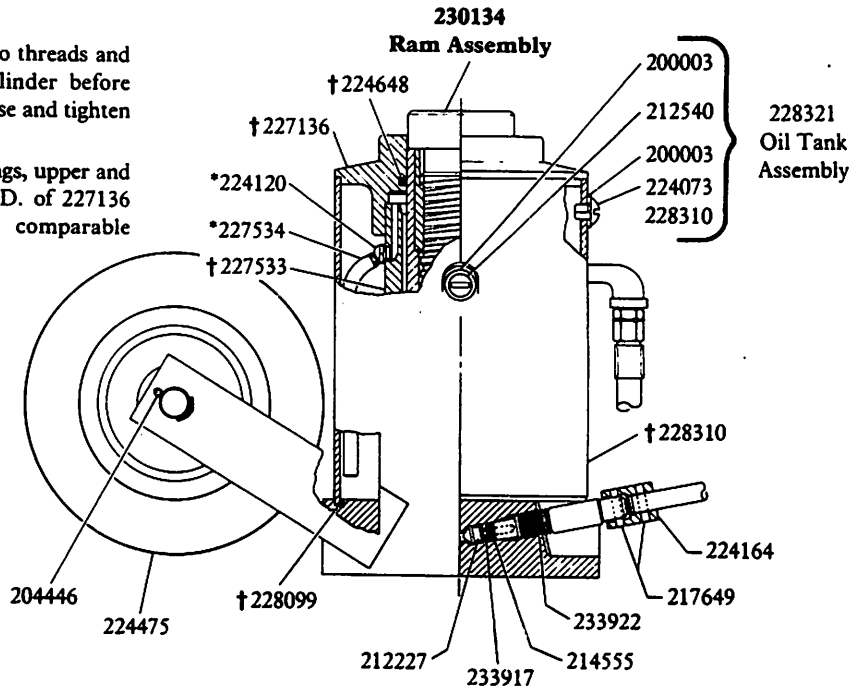
Models 91-731
93731, YA-731
Series "G"

SPECIFICATIONS

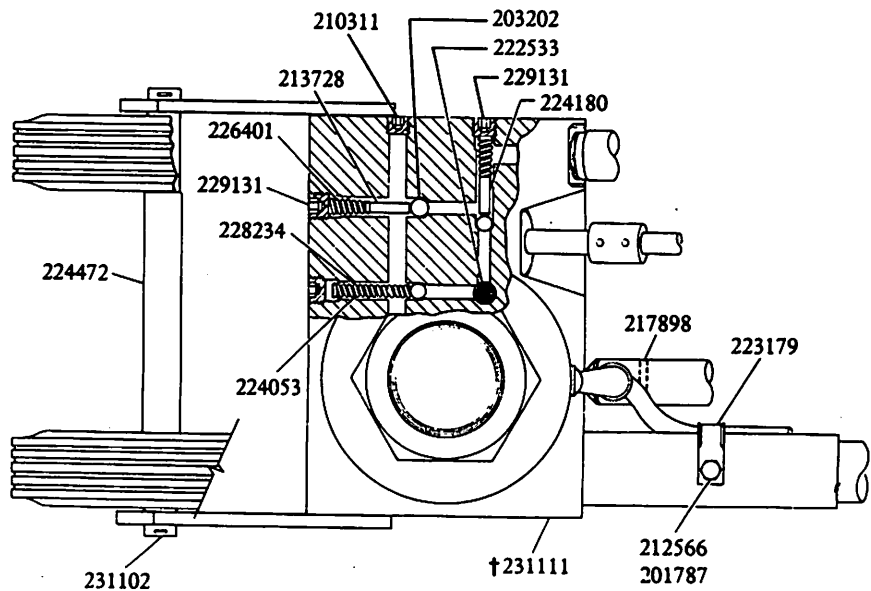
Low Pickup Height	High Lifting Point	Power Raise	Extension Screw	Ram Dia.	Base Size	Handle Length	Min. psi for Rated Load	Wheel Dia.
9-1/4"	17-7/8"	5-3/4"	2-7/8"	2-3/16"	8" x 5-1/2"	50"	140	6"

† NOTE:

- 1) Apply Never-Seez (or equivalent) to threads and face at both ends of 227533 Cylinder before assembling. Assemble to 231111 Base and tighten to a crush joint.
- 2) Lubricate 228099 and 224648 O-rings, upper and lower I.D. of 228310 Tank and I.D. of 227136 Tank Nut with Lubriplate (or comparable lubricant) before assembling.
- 3) Tighten to a crush joint.



* Assemble 227534 Snorkel Tube to 224120 Snorkel Fitting with Accrabond #419 Glue or equivalent.



LINCOLN

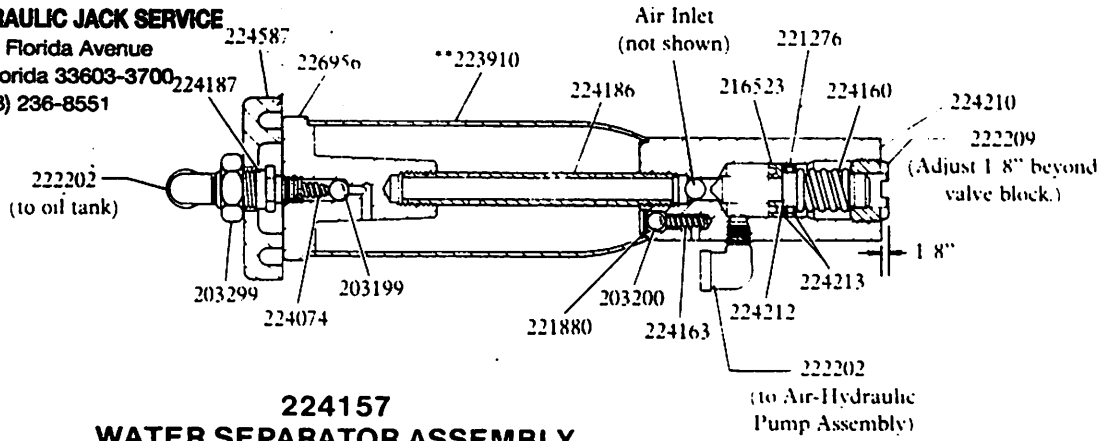
A PENTAIR COMPANY

One Lincoln Way
St. Louis, MO 63120-1578
Customer Service, (314) 679-4300

SECTION - W1
PAGE - 10D

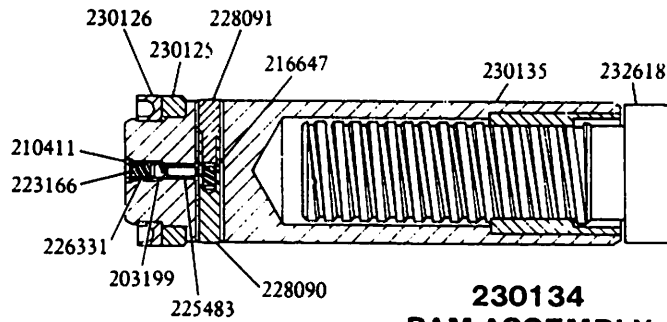
TRI-CITY HYDRAULIC JACK SERVICE

4628 N. Florida Avenue
Tampa, Florida 33603-3700
(813) 236-8551



**224157
WATER SEPARATOR ASSEMBLY**

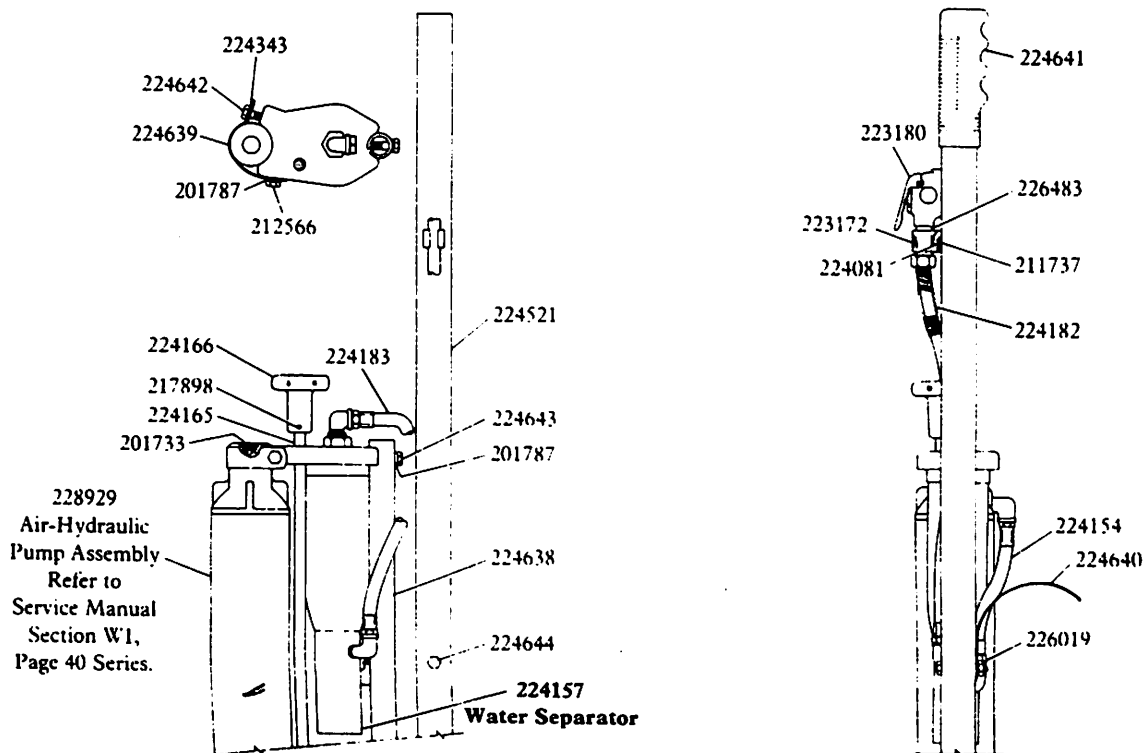
**Apply Loctite #515
Gasket eliminator
to both ends of tank
before assembling.



**230134
RAM ASSEMBLY**

MODEL	LABEL KIT NO.	REPAIR KIT NO.	†AIR PUMP KIT NO.
91-731	240190	240579	240564
93731	240191	240579	240564
YA-731	240221	240579	240564

†Refer to Service Manual Section W1, Page 40 Series for parts included in kit.





TRI-CITY HYDRAULIC JACK SERVICE
 4628 N. Florida Avenue
 Tampa, Florida 33603-3700
 (813) 236-8551

SERVICE PARTS

PART	QUAN.	DESCRIPTION	PART	QUAN.	DESCRIPTION
*200003	2	Gasket	224186	1	Center tube
201733	1	Expansion plug	224187	1	Separator adapter
201787	4	Lockwasher	224210	1	Differential valve block
*203199	2	Ball	224212	1	Differential valve
203200	1	Ball	224213	2	Washer
*203202	3	Ball	224343	1	Washer
203299	1	Nut	224472	1	Spacer
204446	2	Cotter pin	224475	2	Wheel
210311	1	Pipe plug	224521	1	Handle
210411	1	Washer	224587	1	Separator mtg. block
211737	1	Lockwasher	224638	1	Support
212227	1	Poppet	224639	1	Mounting clamp
212540	1	Filler screw	224640	1	Balance strap
212566	2	Bolt	224641	1	Handle grip
213728	1	Spacer	224642	1	Bolt
*214555	1	O-ring	224643	1	Bolt
*216523	1	U-cup packing	224644	3	Bolt
216647	1	Spring	*224648	1	O-ring
217649	2	Roll pin	225483	1	Pin
217898	2	Roll pin	226019	3	Locknut
221276	1	Roll pin	226331	1	Spring
221880	1	Retaining ring	226401	2	Spring
222202	3	Elbow	226483	1	Pipe nipple
222209	1	Nut	226956	1	End block
222533	1	Screen	227136	1	Tank nut
223166	1	Screen	227533	1	Cylinder
223172	1	Hose clip	227534	1	Snorkel tube
223179	1	Hose clip	228090	1	Cross pin
223180	1	Air valve	228091	1	Cross pin
223910	1	Tank	*228099	1	O-ring
224053	1	Spring	228234	1	Spacer
224073	1	Air vent screw	228310	1	Oil tank
224074	1	Spring	228321	1	Oil tank assembly
224081	1	Screw	228929	1	Air-hyd. pump ass'y.
224120	1	Snorkel fitting	229131	3	Pipe plug
224154	1	Air hose assembly	230125	1	Heel plate
224157	1	Water separator ass'y.	*230126	1	U-cup packing
224160	1	Spring	230134	1	Ram assembly
224163	1	Spring	230135	1	Ram
224164	1	Adapter	231102	1	Axle
224165	1	Rod	231111	1	Base
224166	1	Hand knob	232618	1	Extension screw ass'y.
224180	1	Spacer	*233917	1	Plastic spring
224182	1	Air hose	233922	1	Release stem
224183	1	Air hose			

*Included in 240579 Repair Kit.

NOTE: Refer to Service Manual Section W1, Page 40 Series for additional parts included in 240579 Repair Kit

AIR-HYDRAULIC SERVICE JACK

20 TON CAPACITY

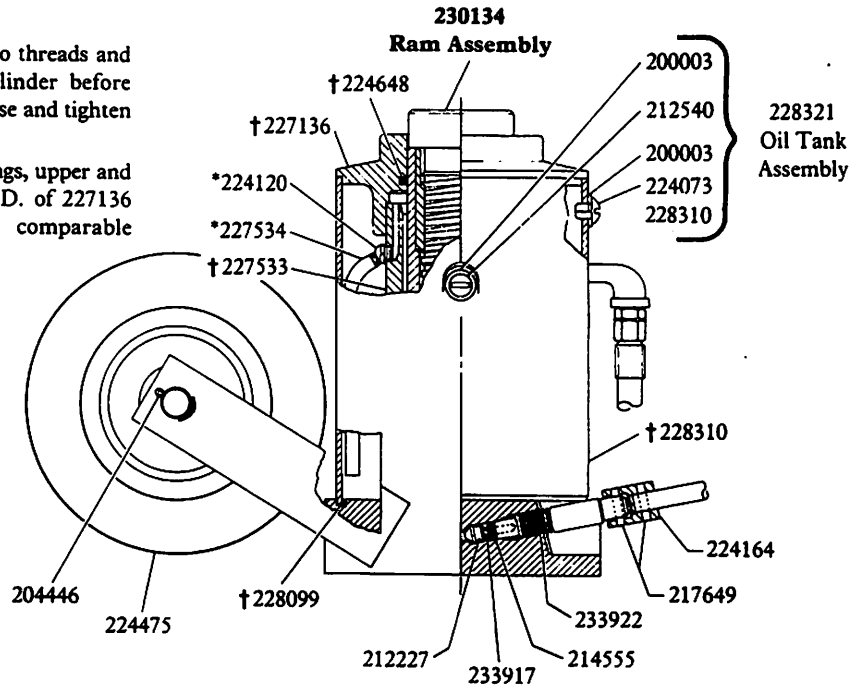
Models 91-731
93731, YA-731
Series "G"

SPECIFICATIONS

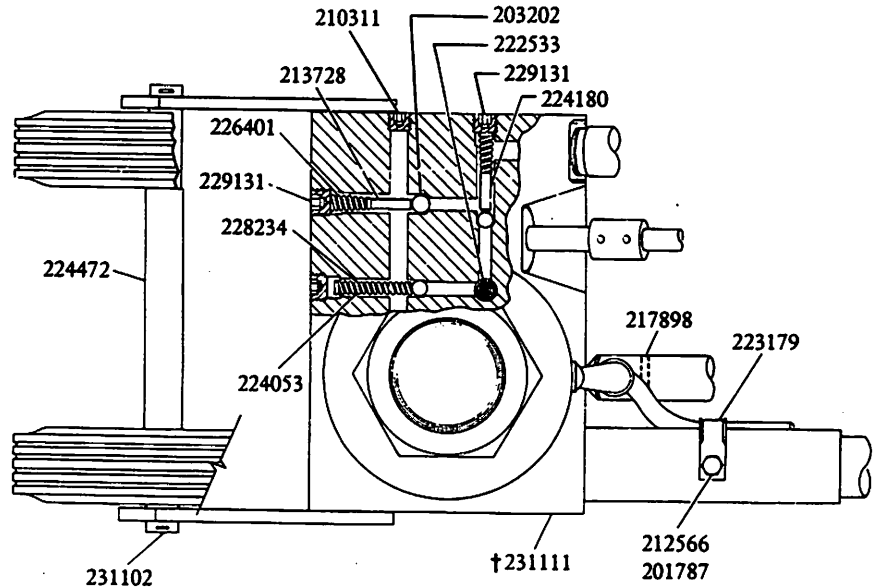
Low Pickup Height	High Lifting Point	Power Raise	Extension Screw	Ram Dia.	Base Size	Handle Length	Min. psi for Rated Load	Wheel Dia.
9-1/4"	17-7/8"	5-3/4"	2-7/8"	2-3/16"	8" x 5-1/2"	50"	140	6"

† NOTE:

- 1) Apply Never-Seez (or equivalent) to threads and face at both ends of 227533 Cylinder before assembling. Assemble to 231111 Base and tighten to a crush joint.
- 2) Lubricate 228099 and 224648 O-rings, upper and lower I.D. of 228310 Tank and I.D. of 227136 Tank Nut with Lubriplate (or comparable lubricant) before assembling.
- 3) Tighten to a crush joint.



*Assemble 227534 Snorkel Tube to 224120 Snorkel Fitting with Accrabond #419 Glue or equivalent.



LINCOLN

A PENTAIR COMPANY

One Lincoln Way
St. Louis, MO 63120-1578
Customer Service, (314) 679-4300

SECTION - **W1**
PAGE - **10D**