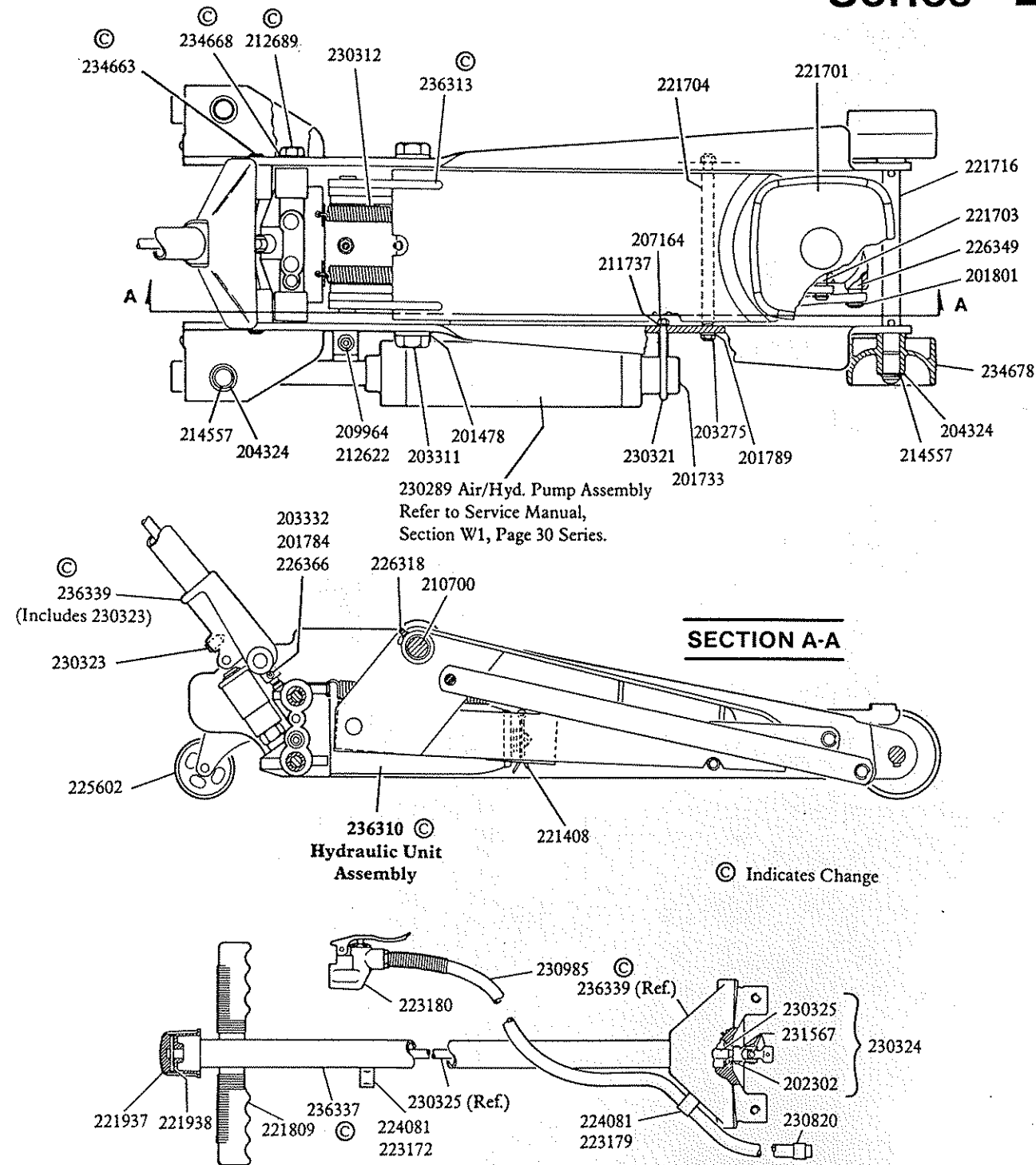


# AIR/MANUAL SERVICE JACK

2 TON CAPACITY

## Models 91-666 93666, YA-666

### Series "E"



MODEL	LABEL KIT NO.	REPAIR KIT NO.
91-666	240181	240561
93666	240182	240561
YA-666	240183	240561

## SPECIFICATIONS

Low Pickup Height	High Lifting Point	Power Raise	Cap Size (Sq.)	Handle Length	Chassis Length	Chassis Height (Max.)	Front Wheel (Dia.)	Caster Wheel (Dia.)	Min. PSI (Air) For Rated Load
4"	24-1/2"	20-1/2"	6-1/8"	49"	32-3/4"	7-1/4"	3-3/4"	2-1/2"	130

## TROUBLESHOOTING

PROBLEM	SOLUTION
1) Oil leaking thru filler plug.	The reservoir could be overfilled - The filler plug is designed with an automatic ventilator valve which allows excessive air or oil to escape from the hydraulic system.
1) Will not lift load. 2) Will not lift full height. 3) Pump feels "spongy" under load.	The jack could be low on oil - Remove the filler plug and fill reservoir with clean Hydraulic Jack Oil.  The jack could be air bound - Open the release valve one full turn and pump the handle vigorously. Close the release valve and operate.
1) Will not lift load. 2) Air pump stalls under heavy load. 3) Air pump raises load slowly.	Air hose might be plugged - Remove obstruction from hose. Air pressure might be too low - 130 psi minimum air pressure required to lift rated load.
1) Air pump raises load slowly.	Lubrication may have been "washed out" of reversing valve - With the air valve open, squirt 1/2 oz. of SAE 30 lubricating oil into air inlet opening. Connect air hose and allow air pump to cycle a few times to distribute the oil internally.
1) Handle raises under load. 2) Handle lowers under load. 3) Will not lift load. 4) Will not hold load.	The valves might not be closing - Lower the lifting arm and close the release valve. Place one foot on a front wheel and raise the lifting arm to its full height by hand. Open the release valve to lower the lifting arm. The jack should now operate properly.

If the above procedures do not correct the problem, contact your nearest Authorized Warranty and Service Center. When submitting any jack or equipment to be repaired, be sure to state the nature of the problem and indicate whether an estimate of the repair cost is needed.

**IMPORTANT:** As with any hydraulic unit, this unit may occasionally become "air bound" due to being tipped over during shipment. To purge the air from the oil lines, open the release and pump rapidly a few strokes. Close release and pump to full height, then open the release to allow the ram to descend rapidly. If the pump still seems "spongy", repeat the procedure.

**LINCOLN**  
A PENTAIR COMPANY

One Lincoln Way  
St. Louis, MO 63120-1578  
Customer Service, (314) 679-4300

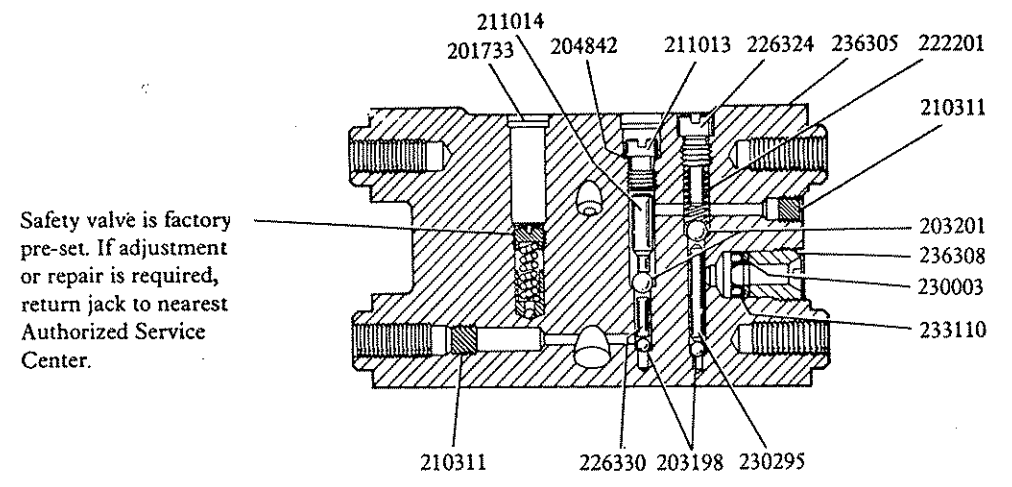
SECTION - **W1**  
PAGE - **6F**

RETAIN THIS INFORMATION FOR FUTURE REFERENCE

When ordering replacement parts, list: Part Number, Description, Model Number, and Series Letter.

LINCOLN provides a Distributor Network that stocks equipment and replacement parts.

A list of Authorized Service Departments will be furnished upon request.

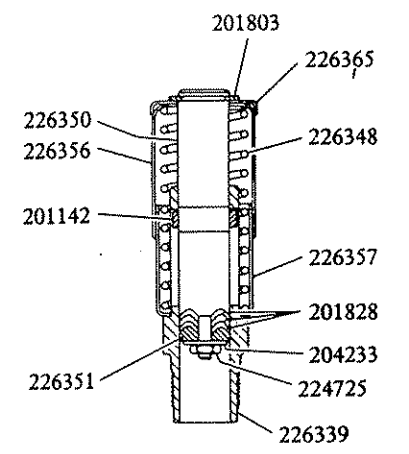
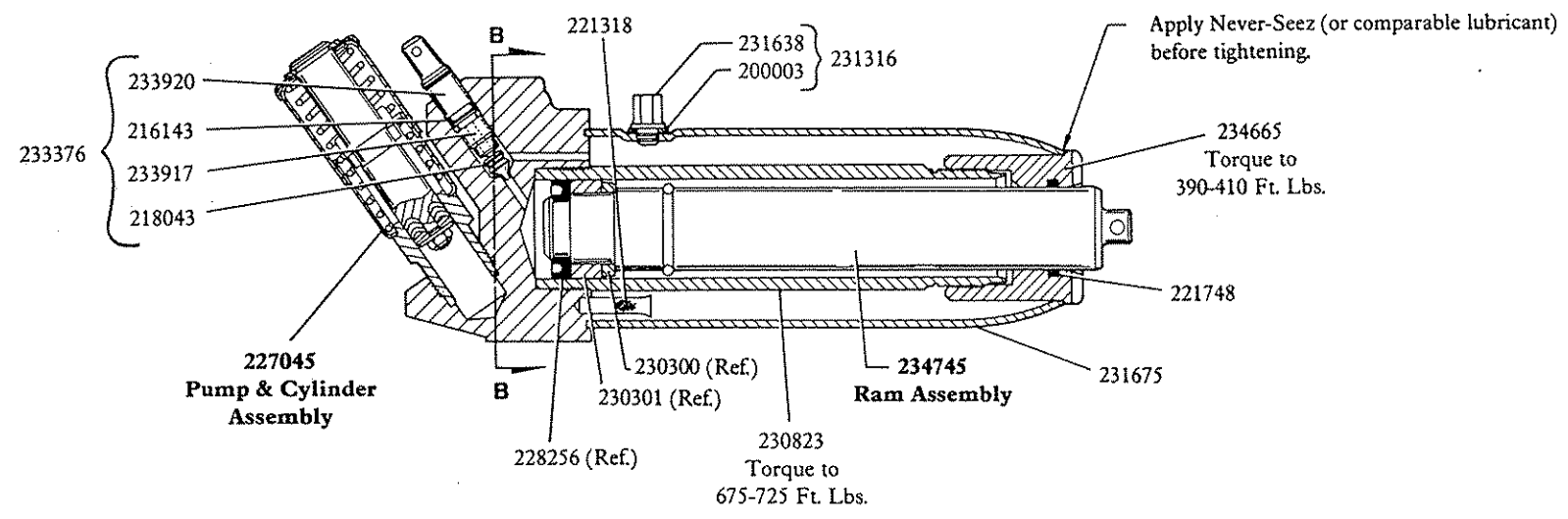


Safety valve is factory pre-set. If adjustment or repair is required, return jack to nearest Authorized Service Center.

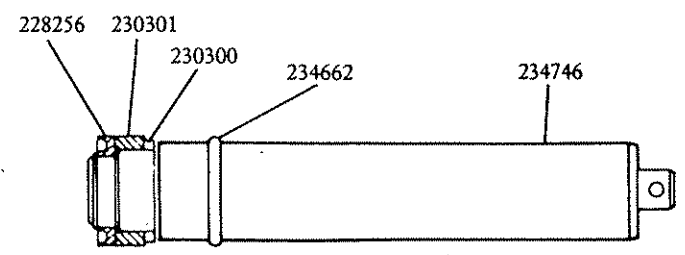
SECTION B-B

236310 ©  
HYDRAULIC UNIT  
ASSEMBLY

© Indicates Change



227045  
PUMP & CYLINDER  
ASSEMBLY



234745 RAM ASSEMBLY

†NOTE: Apply Never-Seez (or comparable lubricant) to threads before tightening.

SERVICE PARTS

PART	QUAN.	DESCRIPTION	PART	QUAN.	DESCRIPTION
200003	1	Gasket	226324	1	Pressure plug
201142	1	Cross pin	226330	1	Spacer
201478	2	Lockwasher	226339	1	Cylinder
201733	3	Expansion plug	226348	1	Spring
201784	1	Lockwasher	226349	1	Pin
201789	2	Lockwasher	226350	1	Piston
201801	4	Retaining ring	*226351	1	Adapter
201803	1	Retaining ring	226356	1	Pump sleeve (top)
*201828	3	V-packing	226357	1	Pump sleeve (bottom)
202302	1	Rivet	226365	1	Pump sleeve cover
*203198	2	Ball (suction)	226366	1	Bolt
203201	2	Ball (discharge)	227045	1	Pump assembly
203275	2	Nut	*228256	1	U-cup packing
203311	2	Nut	*230003	1	Washer
203332	1	Nut	230289	1	Air/Hydr. pump ass'y.
204233	1	Washer	230295	1	Spacer
204324	4	Washer	230300	1	Washer
*204842	1	Gasket	230301	1	Heel plate
207164	2	Nut	230312	2	Spring
209964	1	Lockwasher	230321	1	Hanger
210311	2	Pipe plug	230323	1	Set screw
210700	1	Fulcrum pin	230324	1	Rod & universal ass'y.
211013	1	Plug	230325	1	Rod
211014	1	Spacer	230820	1	Air hose clamp
211737	2	Washer	230823	1	Cylinder
212622	1	Bolt	230985	1	Air hose assembly
212689	4	Bolt	231316	1	Plug & gasket ass'y.
214557	4	Retaining ring	231567	1	Universal assembly
216143	1	O-ring	231638	1	Filler plug & vent ass'y.
218043	1	Release valve	231675	1	Oil tank
221318	2	Screen	*233110	1	U-cup packing
221408	1	Cotter pin	233376	1	Release stem ass'y.
221701	1	Cap housing assembly	*233917	1	Spring
221703	1	Pin	233920	1	Release stem
221704	1	Spacer pin	234662	1	Ring
221716	1	Axle	234663	2	Pin
*221748	1	Quad ring	234665	1	Tank nut
221809	2	Handle grip	234668	4	Washer
221937	1	Release knob	234678	2	Front wheel
221938	1	Roll pin	234745	1	Ram assembly
*222201	1	Spring	234746	1	Ram
223172	1	Hose clip	236305	1	Unit block
223179	1	Hose clamp	236308	1	Gland nut
223180	1	Air valve	236310	1	Hydraulic unit ass'y
224081	2	Screw	236313	1	Bell crank
224725	1	Nut	236337	1	Handle assembly
225602	2	Caster	236339	1	Handle socket ass'y
226318	1	Grease fitting			

\*Included in 240561 Repair Kit.