

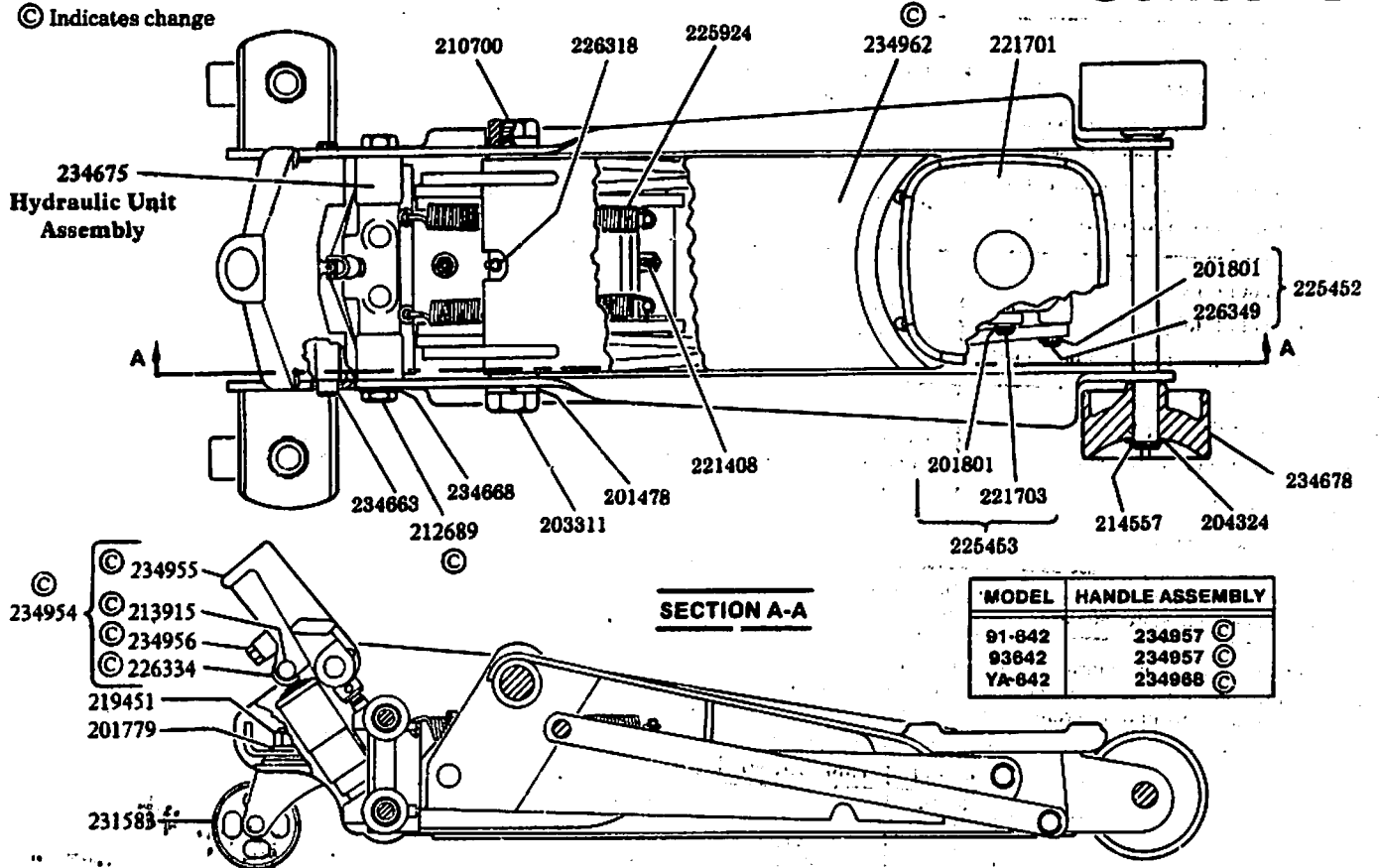
# HYDRAULIC SERVICE JACK

Model 91-642  
93642, YA642

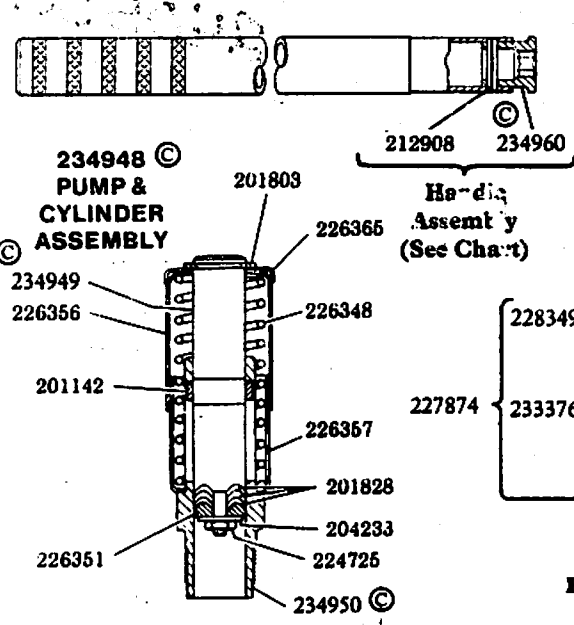
2 TON CAPACITY

Series "B"

© Indicates change



MODEL	HANDLE ASSEMBLY
91-642	234957 ©
93642	234957 ©
YA-642	234968 ©



Safety valve is factory pre-set. If adjustment or repair is required, return jack to nearest Authorized Warranty and Service Center.

**SECTION B-B**

**234675 HYDRAULIC UNIT ASSEMBLY**

MODEL	LABEL KIT NO.	REPAIR KIT NO.
91-642	240000	240500
93642	240001	240500
YA-642	240003	240500

NOTE 2: Apply Never-Seez or comparable lubricant to end of tank before tightening tank nut.

NOTE: Apply Never-Seez or comparable lubricant to threads before tightening.

**LINCOLN**  
A DIVISION OF  
McNEIL CORPORATION

SECTION **W1**  
PAGE **11B**

# TROUBLESHOOTING

PROBLEM	SOLUTION
1) Oil leaking thru filler plug.	The reservoir could be overfilled - The filler plug is designed with an automatic ventilator valve which allows excessive air or oil to escape from the hydraulic system.
1) Will not lift load. 2) Will not lift full height. 3) Pump feels "spongy" under load.	The jack could be low on oil - Remove the filler plug and fill reservoir with clean Hydraulic Jack Oil.  The jack could be air bound - Open the release valve one full turn and pump the handle vigorously. Close the release valve and operate.
1) Handle & release valve difficult to turn. 2) Lifting arm will not retract properly.	The jack might need lubrication - Remove the handle and thoroughly grease its lower end (inside and outside). Lubricate pump roller and universal joint with grease or heavy oil. With jack in lowest position, grease the fulcrum pin of the lifting arm through the fitting provided. Raise the jack to its highest position and lubricate (with a heavy oil) the moving joints accessible with jack in this position.
1) Handle raises under load. 2) Handle lowers under load. 3) Will not lift load. 4) Will not hold load.	The valves might not be closing - Lower the lifting arm and close the release valve. Place one foot on a front wheel and raise the lifting arm to its full height by hand. Open the release valve to lower the lifting arm. The jack should now operate properly.

If the above procedures do not correct the problem, contact your nearest Authorized Warranty and Service Center. When submitting any jack or equipment to be repaired, be sure to state the nature of the problem and indicate whether an estimate of the repair cost is needed.

**IMPORTANT:** As with any hydraulic unit, this unit may occasionally become "air bound" due to being tipped over during shipment. To purge the air from the oil lines, open the release and pump rapidly a few strokes. Close release and pump to full height, then open the release to allow the ram to descend rapidly. If the pump still seems "spongy", repeat the procedure.

Low Pickup Height	High Lifting Point	Power Raise	Cap Size (Dia.)	Handle Length	Chassis Length	Chassis Height (Max.)	Front Wheel (Dia.)	Caster Wheel (Dia.)
3-3/4"	20-1/8"	16-3/8"	6-1/8"	50"	28-3/4"	6-3/4"	3-3/4"	2-1/2"

KIT #  
240530

## SERVICE PARTS

PART	QUAN.	DESCRIPTION	PART	QUAN.	DESCRIPTION	PART	QUAN.	DESCRIPTION
			219451	2	Nut	231583	2	Rear caster
200003	1	Gasket	221318	1	Suction screen	231638	1	Filler plug & vent ass'y.
201142	1	Cross pin	221408	1	Cotter pin	231641	1	Oil tank
201478	2	Lockwasher	221701	1	Cap housing ass'y.	233376	1	Release stem assembly
201733	2	Expansion plug	221703	1	Pin	233917	1	Spring
201779	2	Washer	221748	1	Quad ring	233920	1	Release stem
201801	4	Retaining ring	224725	1	Nut	234571	1	Cylinder
201803	1	Retaining ring	224760	1	Heel plate	234662	1	Snap ring
*201828	3	V-packing	224867	1	Back-up washer	234663	2	Pin
*203198	1	Ball	225452	1	Pin & ring assembly	234665	1	Tank nut
*203201	1	Ball	225453	1	Pin & ring assembly	234666	1	Ram
203311	2	Nut	225924	2	Spring	234667	1	Ram assembly
204233	1	Washer	226318	1	Grease fitting	234668	4	Washer
204324	2	Washer	226330	1	Suction spacer	234675	1	Hydraulic unit ass'y.
*204842	1	Gasket	226334	1	Pump roller	234676	1	Unit block
210311	1	Pipe plug	226348	1	Pump spring	234678	2	Front wheel
210700	1	Fulcrum pin	226349	1	Pin	234948	1	Pump & cylinder ass'y.
211013	1	Pressure plug	*226351	1	Male adapter	234949	1	Pump piston
211014	1	Discharge spacer	226356	1	Pump sleeve	234950	1	Pump cylinder
211341	1	Rivet	226357	1	Cup - pump sleeve	234954	1	Handle socket ass'y.
212689	1	Bolt	226365	1	Cup - pump cover	234955	1	Handle socket
212908	1	Groove pin	227874	1	Release valve assembly	234956	1	Hex head screw
213915	1	Pin	*227919	1	U-cup packing	234960	1	Lower end
214557	2	Retaining ring	228349	1	Universal assembly	234962	1	Bell crank assembly
216143	1	O-ring	231316	1	Plug & gasket assembly	236017	1	Ram & ring assembly
218043	1	Valve						