

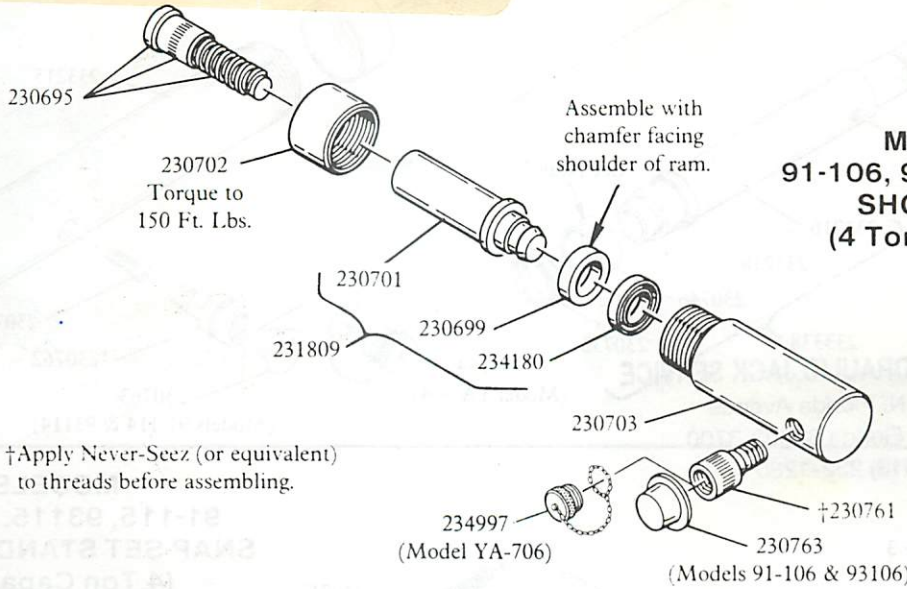
①



TRI-CITY HYDRAULIC JACK SERVICE

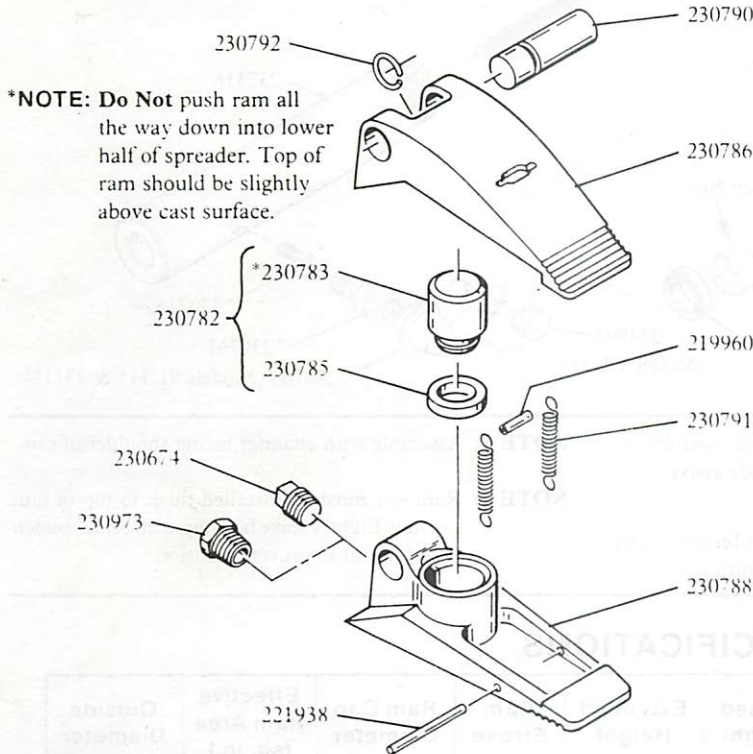
4628 N. Florida Avenue
Tampa, Florida 33603-3700
(813) 236-8551

HYDRAULIC BODY-JAK™ RAMS AND SPREADER



MODELS
91-106, 93106, YA-706
SHORT RAM
(4 Ton Capacity)

†Apply Never-Seez (or equivalent) to threads before assembling.



***NOTE: Do Not** push ram all the way down into lower half of spreader. Top of ram should be slightly above cast surface.

MODELS
91-108, 93108, YA-708
SPREADER
(1 Ton Capacity)

MODEL	LABEL KIT NO.	REPAIR KIT NO.
91-106	240130	240498
93106	240131	240498
YA-706	240237	240498
91-107	240132	91-408
93107	240133	240554
YA-307	240152	240554
91-108	240134	—
93108	240135	—
YA-708	240238	—
91-110	240136	240499
93110	240137	240499
YA-310	240239	240499
91-111	240138	91-409
93111	240139	240557
YA-351	240240	240557
91-112	240140	91-409
93112	240141	240557
YA-352	240241	240557
91-114	240142	91-409
93114	240143	240557
YA-354	240242	240557
91-115	240144	91-408
93115	240145	240554
YA-315	240153	240554



A PENTAIR COMPANY

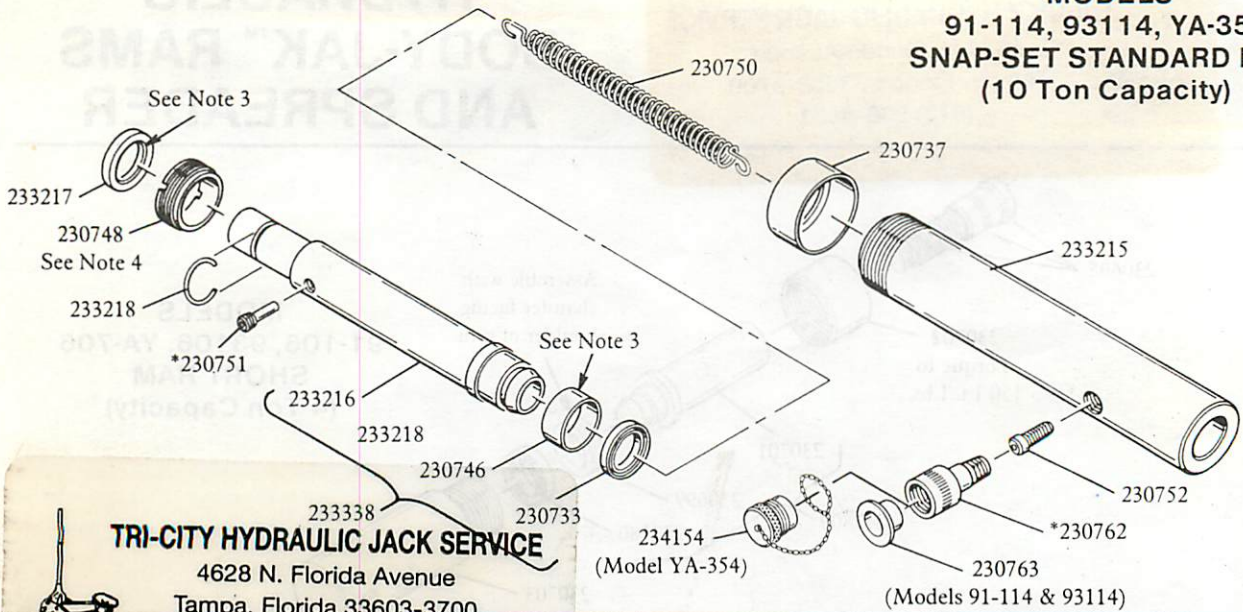
One Lincoln Way
St. Louis, MO 63120-1578

Customer Service, (314) 679-4300

SECTION - **W7**
PAGE - **7**

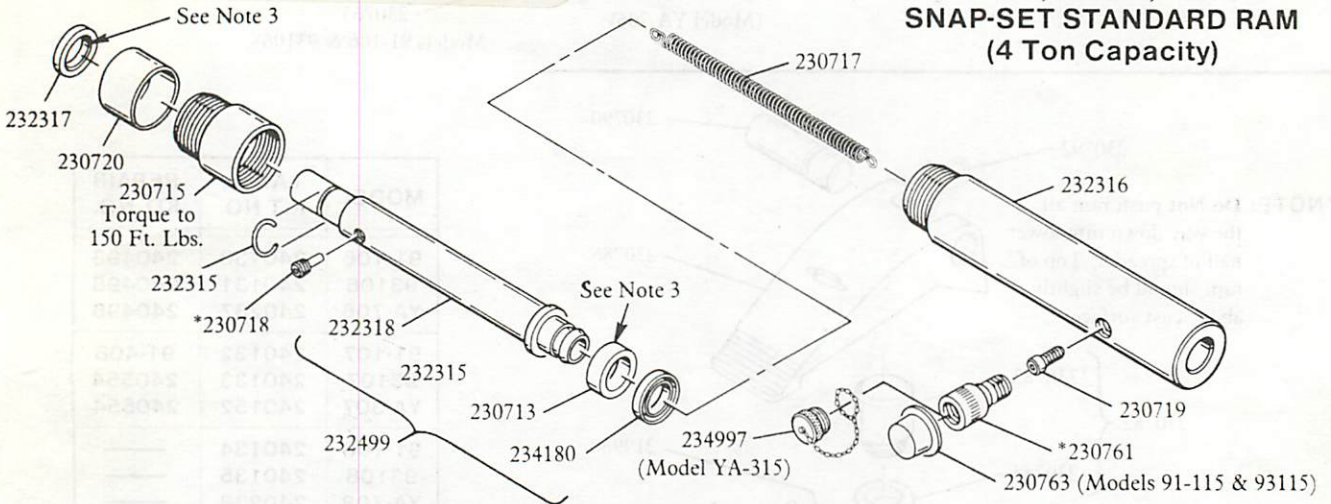
①

MODELS
91-114, 93114, YA-354
SNAP-SET STANDARD RAM
(10 Ton Capacity)



TRI-CITY HYDRAULIC JACK SERVICE
 4628 N. Florida Avenue
 Tampa, Florida 33603-3700
 (813) 232-1280

MODELS
91-115, 93115, YA-315
SNAP-SET STANDARD RAM
(4 Ton Capacity)



***NOTE 1:** Apply Never-Seez (or equivalent) to threads before assembling. 230718 or 230751 Spring Retainer must not protrude above ram surface.

†NOTE 2: Apply Never-Seez (or equivalent) to I.D. of ram cap and entire length of mating surface of ram before pressing ram cap onto ram.

NOTE 3: Assemble with chamfer facing shoulder of ram.

NOTE 4: Ram nut must be installed flush to top of ram housing. Lightly stake housing with center punch at slot in nut to prevent rotation.

SPECIFICATIONS

Model	Series	Capacity	Closed Height	Extended Height	Ram Stroke	Ram Cap Diameter	Effective Ram Area (sq. in.)	Outside Diameter
91-108, 93108, YA-708	B	1 Ton	9/16"	3-3/4"	13/16"	—	.994	—
91-106, 93106, YA-706	C	4 Ton	5-1/2"	9-7/8"	2-3/4"	1"	1.227	1-3/4"
91-107, 93107, YA-307	C	4 Ton	11-1/8"	16-1/4"	5-1/8"	1-1/4"	1.227	1-3/4"
91-115, 93115, YA-315	A	4 Ton	12-1/4"	17-1/2"	5-1/4"	7/8"	1.227	1-3/4"
91-110, 93110, YA-310	C	10 Ton	5-3/8"	7-5/8"	2-1/4"	1-1/2"	2.236	2-1/4"
91-111, 93111, YA-351	C	10 Ton	13"	19"	6"	2"	2.236	2-1/4"
91-112, 93112, YA-352	B	10 Ton	16-7/8"	27"	10-1/8"	2"	2.236	2-1/4"
91-114, 93114, YA-354	A	10 Ton	15-1/4"	21-1/4"	6"	1-1/4"	2.236	2-1/4"