

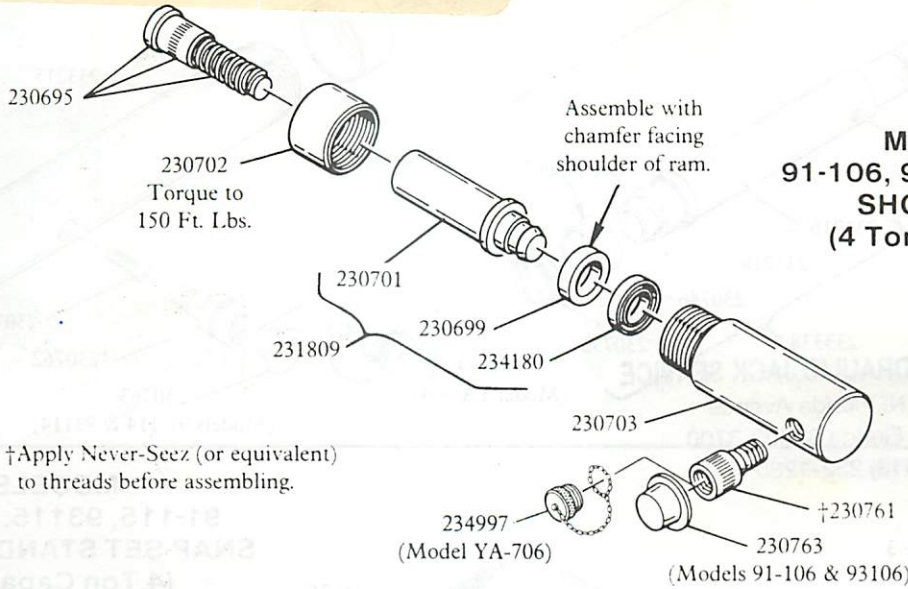
①



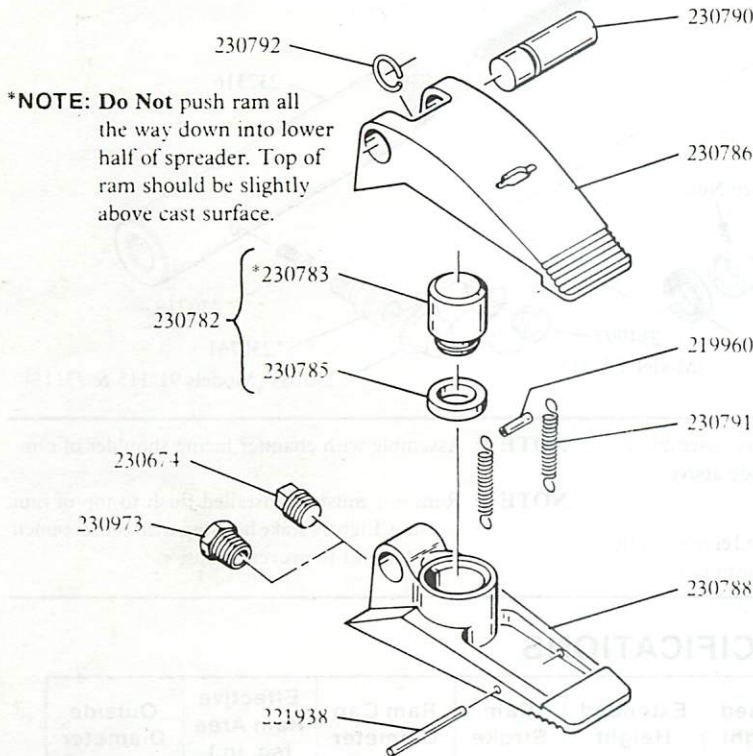
TRI-CITY HYDRAULIC JACK SERVICE

4628 N. Florida Avenue
Tampa, Florida 33603-3700
(813) 236-8551

HYDRAULIC BODY-JAK™ RAMS AND SPREADER



MODELS
91-106, 93106, YA-706
SHORT RAM
(4 Ton Capacity)



MODELS
91-108, 93108, YA-708
SPREADER
(1 Ton Capacity)

MODEL	LABEL KIT NO.	REPAIR KIT NO.
91-106	240130	240498
93106	240131	240498
YA-706	240237	240498
91-107	240132	91-408
93107	240133	240554
YA-307	240152	240554
91-108	240134	—
93108	240135	—
YA-708	240238	—
91-110	240136	240499
93110	240137	240499
YA-310	240239	240499
91-111	240138	91-409
93111	240139	240557
YA-351	240240	240557
91-112	240140	91-409
93112	240141	240557
YA-352	240241	240557
91-114	240142	91-409
93114	240143	240557
YA-354	240242	240557
91-115	240144	91-408
93115	240145	240554
YA-315	240153	240554



A PENTAIR COMPANY

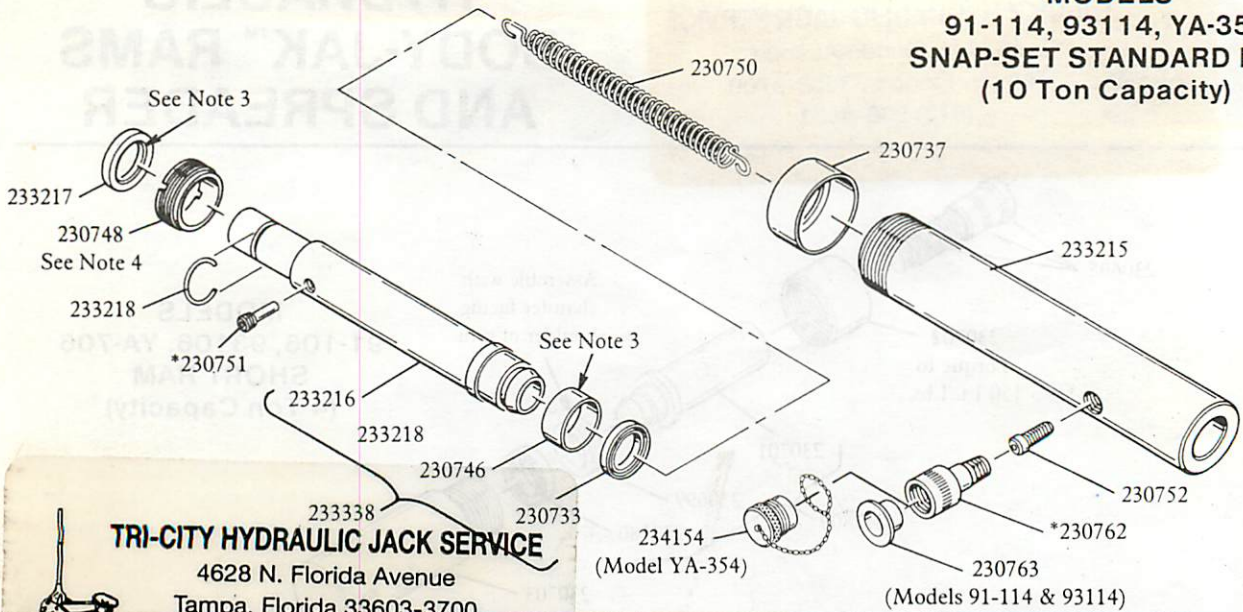
One Lincoln Way
St. Louis, MO 63120-1578

Customer Service, (314) 679-4300

SECTION - **W7**
PAGE - **7**

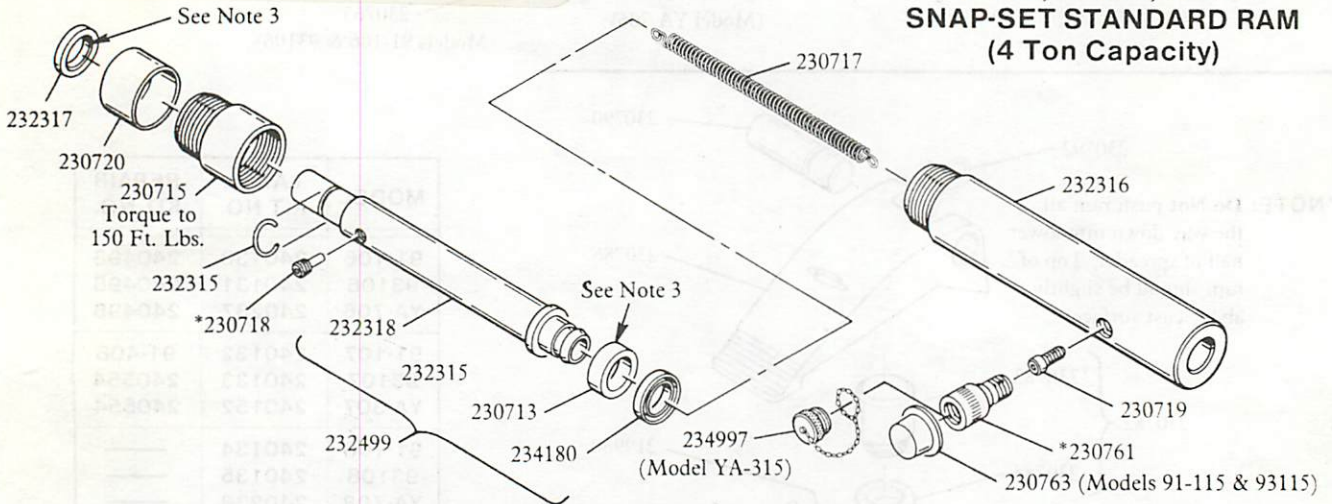
①

MODELS
91-114, 93114, YA-354
SNAP-SET STANDARD RAM
(10 Ton Capacity)



TRI-CITY HYDRAULIC JACK SERVICE
 4628 N. Florida Avenue
 Tampa, Florida 33603-3700
 (813) 232-1280

MODELS
91-115, 93115, YA-315
SNAP-SET STANDARD RAM
(4 Ton Capacity)



***NOTE 1:** Apply Never-Seez (or equivalent) to threads before assembling. 230718 or 230751 Spring Retainer must not protrude above ram surface.

†***NOTE 2:** Apply Never-Seez (or equivalent) to I.D. of ram cap and entire length of mating surface of ram before pressing ram cap onto ram.

NOTE 3: Assemble with chamfer facing shoulder of ram.

NOTE 4: Ram nut must be installed flush to top of ram housing. Lightly stake housing with center punch at slot in nut to prevent rotation.

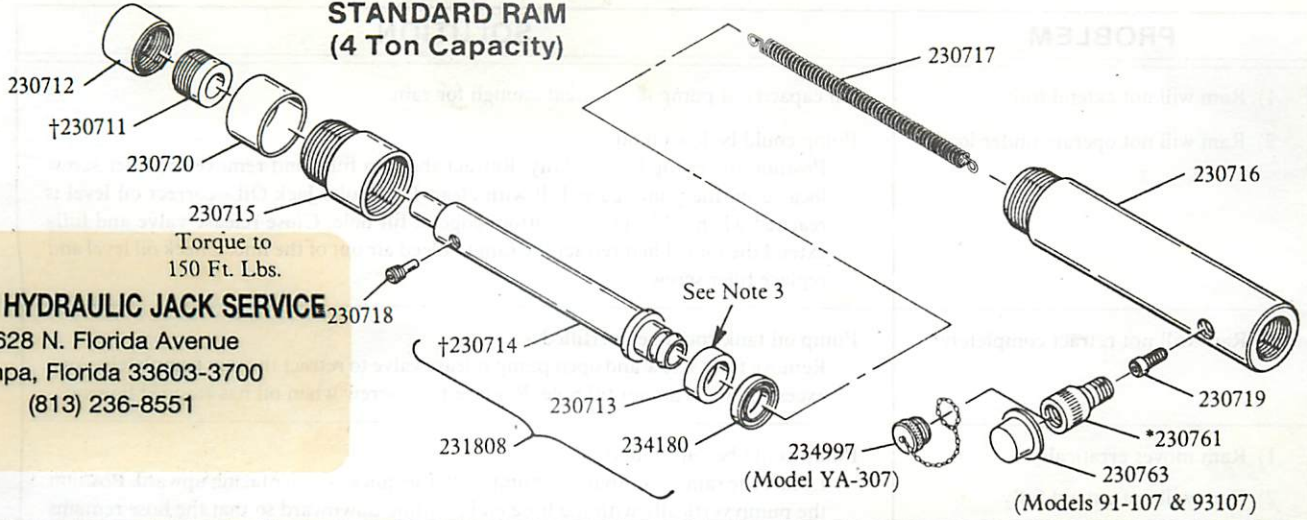
SPECIFICATIONS

Model	Series	Capacity	Closed Height	Extended Height	Ram Stroke	Ram Cap Diameter	Effective Ram Area (sq. in.)	Outside Diameter
91-108, 93108, YA-708	B	1 Ton	9/16"	3-3/4"	13/16"	—	.994	—
91-106, 93106, YA-706	C	4 Ton	5-1/2"	9-7/8"	2-3/4"	1"	1.227	1-3/4"
91-107, 93107, YA-307	C	4 Ton	11-1/8"	16-1/4"	5-1/8"	1-1/4"	1.227	1-3/4"
91-115, 93115, YA-315	A	4 Ton	12-1/4"	17-1/2"	5-1/4"	7/8"	1.227	1-3/4"
91-110, 93110, YA-310	C	10 Ton	5-3/8"	7-5/8"	2-1/4"	1-1/2"	2.236	2-1/4"
91-111, 93111, YA-351	C	10 Ton	13"	19"	6"	2"	2.236	2-1/4"
91-112, 93112, YA-352	B	10 Ton	16-7/8"	27"	10-1/8"	2"	2.236	2-1/4"
91-114, 93114, YA-354	A	10 Ton	15-1/4"	21-1/4"	6"	1-1/4"	2.236	2-1/4"

3

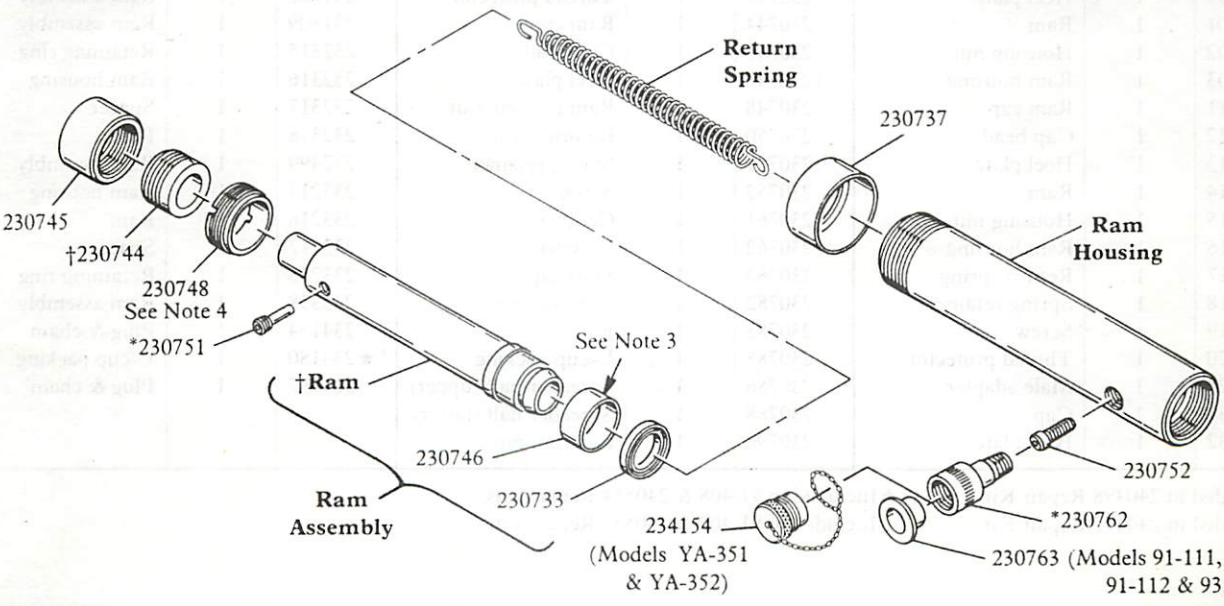
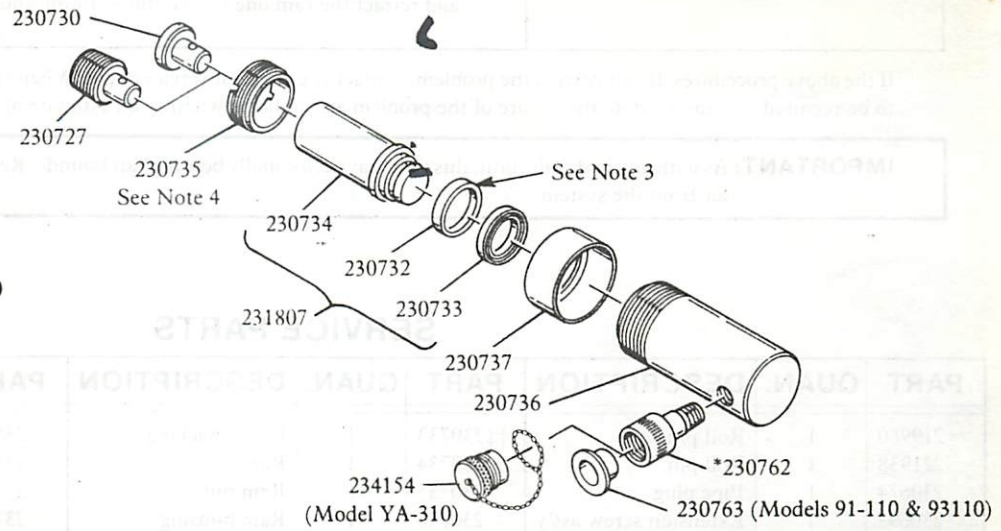
WALKER / LINCOLN

**MODELS
91-107, 93107, YA-307
STANDARD RAM
(4 Ton Capacity)**



RI-CITY HYDRAULIC JACK SERVICE
4628 N. Florida Avenue
Tampa, Florida 33603-3700
(813) 236-8551

**MODELS
91-110, 93110, YA-310
SHORT RAM
(10 Ton Capacity)**



**MODELS
91-111, 93111, YA-351 STANDARD RAM
91-112, 93112, YA-352 LONG RAM
(10 Ton Capacity)**

MODEL	RAM	RAM ASSEMBLY	RETURN SPRING	RAM HOUSING
91-111, 93111, YA-351	230747	231810	230750	230749
91-112, 93112, YA-352	230764	231811	230766	230765

TROUBLESHOOTING

PROBLEM	SOLUTION
1) Ram will not extend fully. 2) Ram will not operate under load.	Oil capacity of pump is not great enough for ram. Pump could be low on oil - Position the pump horizontally. Retract the ram fully and remove the filler screw located on the pump base. Fill with clean Hydraulic Jack Oil - correct oil level is reached when oil level is at bottom edge of fill hole. Close release valve and fully extend the ram. Then retract the ram to bleed air out of the line. Check oil level and replace filler screw.
1) Ram will not retract completely.	Pump oil tank could be overfilled - Remove filler screw and open pump release valve to retract the ram completely. Any excess oil will run out fill hole. Replace filler screw when oil has stopped flowing.
1) Ram moves erratically. 2) Ram will not extend fully. 3) Ram will not operate under load.	Pump could be "air bound" - Locate the ram lower than the pump with the quick coupler facing upward. Position the pump vertically with the hose end pointing downward so that the hose remains straight. Open release one full turn and pump several times. Close the release. Extend and retract the ram one or two times. Pump should now operate properly.

If the above procedures do not correct the problem, contact your nearest service depot. When submitting any jack or equipment to be repaired, be sure to state the nature of the problem and indicate whether an estimate of the repair cost is needed.

IMPORTANT: As with any hydraulic unit, this unit may occasionally become "air bound". Refer to instructions above to purge air from the system.

SERVICE PARTS

PART	QUAN.	DESCRIPTION	PART	QUAN.	DESCRIPTION	PART	QUAN.	DESCRIPTION
219960	1	Roll pin	††230733	1	U-cup packing	230791	2	Return spring
221938	1	Roll pin	230734	1	Ram	230792	1	Retaining ring
230674	1	Pipe plug	230735	1	Ram nut	230973	1	Reducer bushing
230695	1	Extension screw ass'y.	230736	1	Ram housing	231807	1	Ram assembly
*230699	1	Heel plate	230737	1	Thread protector	231808	1	Ram assembly
230701	1	Ram	230744	1	Ram cap	231809	1	Ram assembly
230702	1	Housing nut	230745	1	Cap head	232315	1	Retaining ring
230703	1	Ram housing	‡230746	1	Heel plate	232316	1	Ram housing
230711	1	Ram cap	230748	1	Ram housing nut	232317	1	Spacer
230712	1	Cap head	230750	1	Return spring	232318	1	Ram
★230713	1	Heel plate	230751	1	Spring retainer	232499	1	Ram assembly
230714	1	Ram	230752	1	Screw	233215	1	Ram housing
230715	1	Housing nut	230761	1	Coupler	233216	1	Ram
230716	1	Ram housing	230762	1	Coupler	233217	1	Spacer
230717	1	Return spring	230763	1	Dust cap	233218	1	Retaining ring
230718	1	Spring retainer	230782	1	Ram assembly	233338	1	Ram assembly
230719	1	Screw	230783	1	Ram	234154	1	Plug & chain
230720	1	Thread protector	230785	1	U-cup packing	*★234180	1	U-cup packing
230727	1	Male adapter	230786	1	Spreader half (upper)	234997	1	Plug & chain
230730	1	Cap	230788	1	Spreader half (lower)			
†230732	1	Heel plate	230790	1	Fulcrum pin			

*Included in 240498 Repair Kit.

★Included in 91-408 & 240554 Repair Kits.

†Included in 240499 Repair Kit.

‡Included in 91-409 & 240557 Repair Kits.

RETAIN THIS INFORMATION FOR FUTURE REFERENCE

When ordering replacement parts, list: Part Number, Description, Model Number, and Series Letter.

LINCOLN provides a Distributor Network that stocks equipment and replacement parts.

A list of Authorized Service Departments will be furnished upon request.