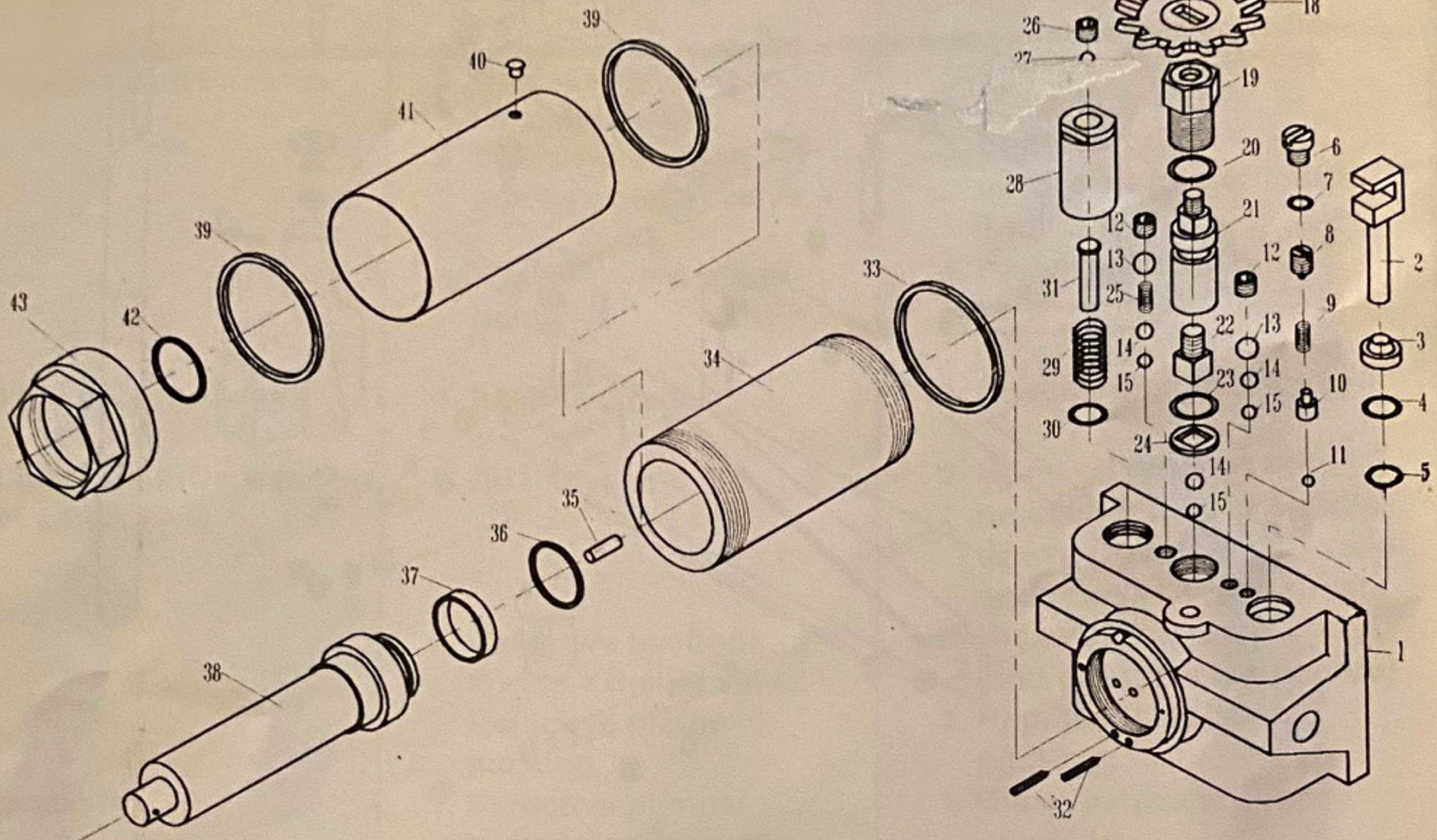


REPAIR PARTS LIST

POWER UNIT ASSEMBLY



REF. PART No.	PART NUMBER	QTY	DESCRIPTION	REF. PART No.	PART NUMBER	QTY	DESCRIPTION	REF. PART No.	PART NUMBER	QTY	DESCRIPTION
1	LZCD3A.4-111		VALVE BLOCK	21	LZCD3A.4-3	1	RELEASE VALVE BODY	41	LZD2.6-4	1	RESERVOIR
2	LZD2.6-20	1	PLUNGER	22	LZCD3A.4-5	1	ACTUATOR	42	GB1235-76	1	O-RING, RAM NUT
3	JF1 1/2.2-21	1	WIPER	23	LZCD3A.4-6	1	O-RING	43	LZD2.6-2	1	TANK NUT
4	LZD2.6-22	1	SEAL	24	LZCD3A.4-7	1	GUIDE WASHER				
5	LZD2.6-21	1	O-RING	25	LZCD3A.4-12	1	SPRING				
6	LZCD3A.4-13	1	PLUG SCREW	26	GB 77-85	1	PLUG SCREW, M8x8				
7	GB3452.1-82	1	O-RING	27	GB308-84	1	BALL, 5mm				
8	LZD2.6-17	1	O'LOAD VALVE SCREW	28	LZCD3A.4-8	1	HIGH SPEED PLUNGER				
9	LZD2.6-19	1	SPRING	29	LZCD3A.4-10	1	SPRING				
10	LZD2.6-18	1	PLUNGER	30	LZCD3A.4-9	1	O-RING				
11	GB308-84	1	BALL, 4mm	31	LZCD3A.4-14	1	HIGH SPEED BYPASS ACTUATOR				
12	GB 77-85	2	PLUG SCREW, M12x16	32	LZD2.6-5	2	FILTER SCREEN				
13	GB308-84	2	BALL, 10mm	33	LZD2.6-7	1	O-RING				
14	GB308-84	3	BALL, 8mm	34	LZCD3A.4-2	1	CYLINDER				
15	GB308-84	5	BALL, 6mm	35	GB879-86	1	PIN				
16	GB6170-85	1	NUT, M8	36	LZD2B.5-4	1	O-RING				
17	GB97.1-85	1	WASHER, M8	37	LZD2B.5-3	1	O-RING RETAINER				
18	LZD2.6-8	1	VALVE GEAR	38	LZCD3A.4-1	1	RAM				
19	LZCD3A.4-4	1	VALVE RETAINER	39	LYQ2A-18.04	2	O-RING				
20	GB3452.1-82	1	O-RING	40	LZD2.6-4	1	OIL FILL PLUG				

WE RESERVE THE RIGHT TO ALTER DESIGNS AND SPECIFICATIONS AT ANY TIME WITHOUT PRIOR NOTICE.