

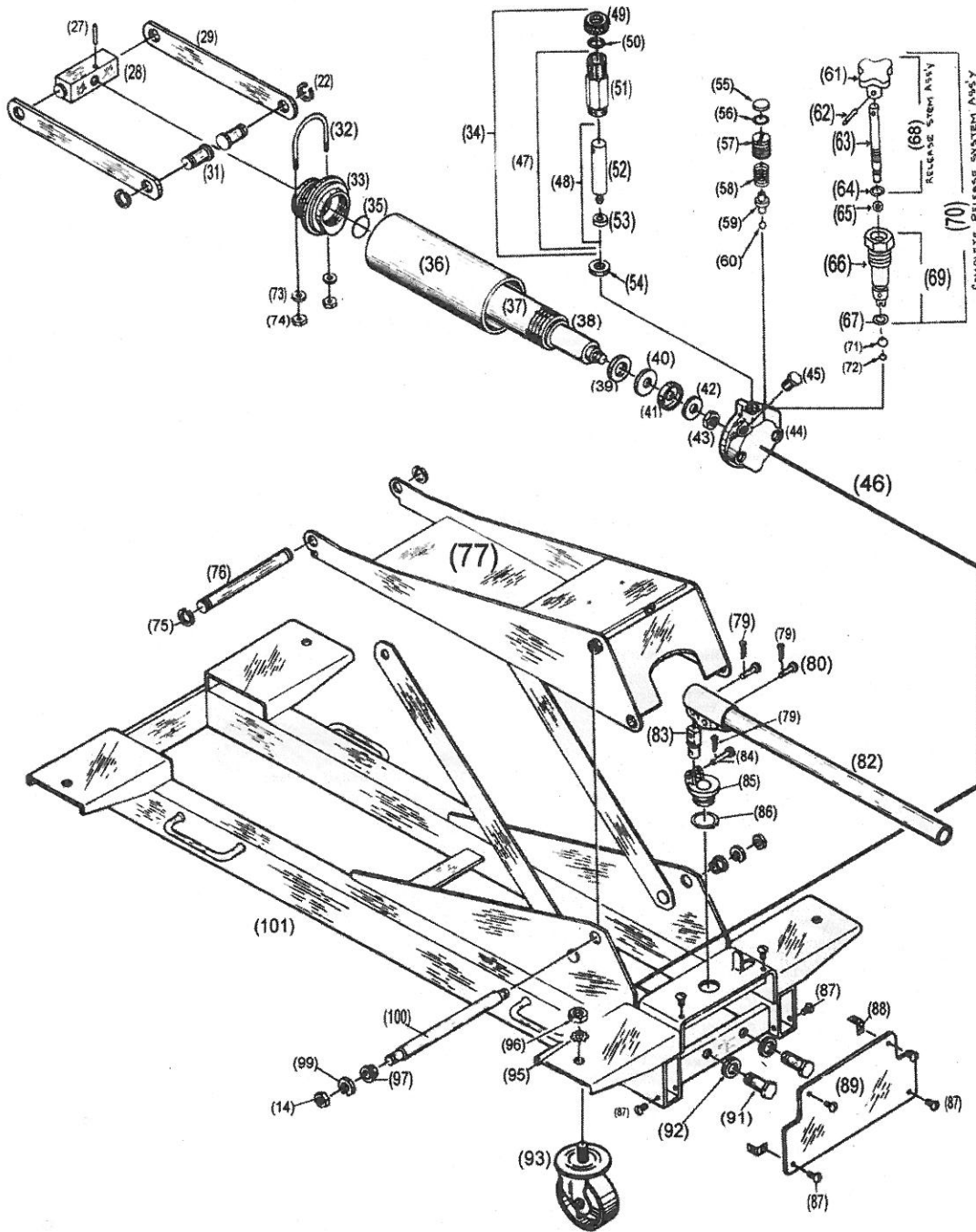
KIENE

DIESEL ACCESSORIES, INC.

Parts List

K-1310

Transmission Jack with JackSack Kit



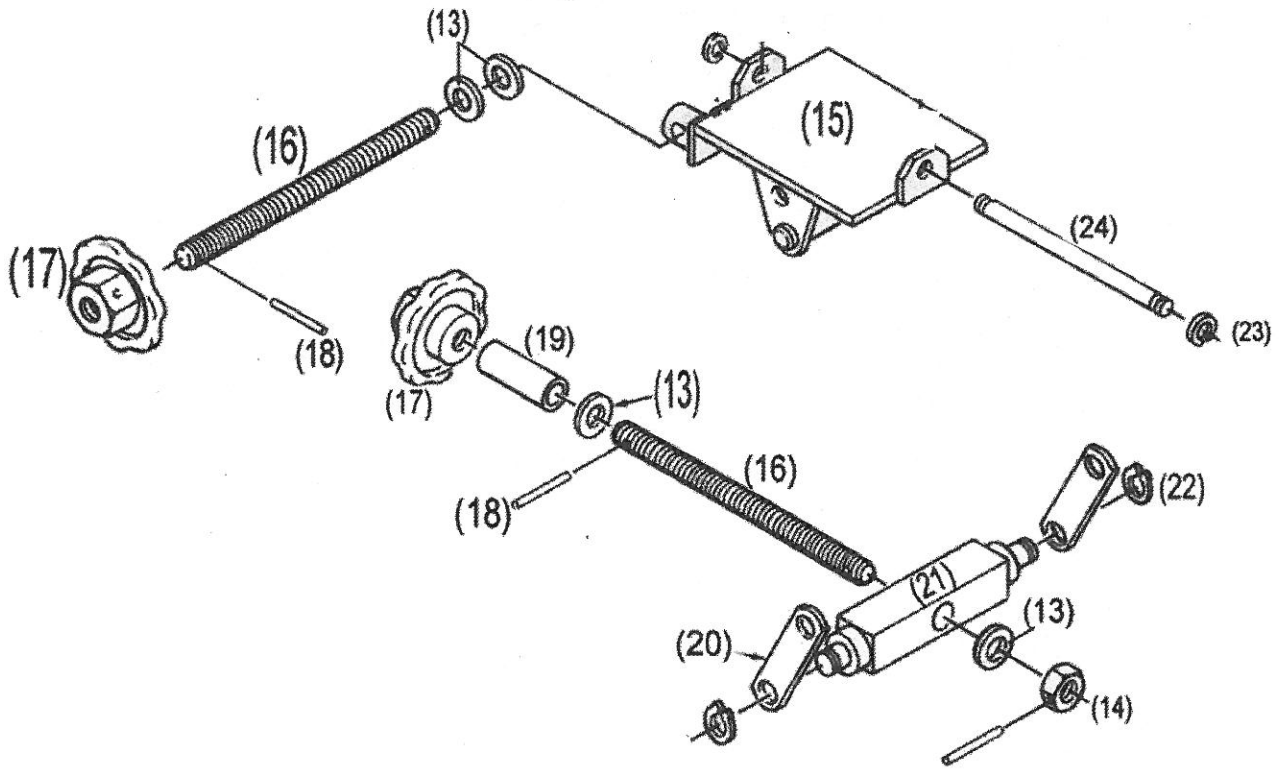
MADE IN THE U.S.A.

KIENE Equipment ...
an investment in safety
and productivity

KIENE

DIESEL ACCESSORIES, INC.

325 S. Fairbank Street, Addison, IL 60101
Phone: 1-800-264-5950 • 630-543-5950 • Fax: 630-543-5953
www.kienediesel.com • e-mail: info@kienediesel.com



MADE IN THE U.S.A.

KIENE Equipment ...
*an investment in safety
and productivity*

KIENE

DIESEL ACCESSORIES, INC.

325 S. Fairbank Street, Addison, IL 60101
Phone: 1-800-264-5950 • 630-543-5950 • Fax: 630-543-5953
www.kienediesel.com • e-mail: info@kienediesel.com

ITEM NO.	PART NO.	ITEM DESCRIPTION	REQD
1	2-53332	EYE BOLT	2
2	2-45975	S HOOK	4
3	2-55017	SAFETY CHAIN	2
4	2-58434	BOLT	4
5	4-58599	BRACKET ASSEMBLY	4
6	2-58730	WASHER	8
7	2-58731	LOCK WASHER	8
8	2-58601	ADJUSTER WHEEL	4
9	2-59992	PLATE	2
12	2-58268	BOLT	4
13	2-45859	WASHER	6
14	2-45857	HEX NUT 5/8-18	4
15	4-45943	SADDLE ASSEMBLY	
16	2-45862	TILT ADJ. SCREW	
17	2-45957	TILT WHEEL	
18	4-45858	PIN .128 X.94	4
19	2-45967	SPACER	
20	2-45935	CONNECTING LINK	2
21	2-45855	BRIDGE BLOCK	
22	D-6049-A	RETAINING 3/4	6
23	D-7254	RETAINING 1/2	2
24	D-8263	SIDE TILT SHAFT	
25	2-58448	NUT	2
26	4-45969	PLATFORM ASSEMBLY	
27	D-7674	ROLL PIN 1/4 x 1-1/4	
28	D-8206	BRIDGE BLOCK	
29	10-10599	LIFT ARM LINK	2
31	D-8211	LIFT ARM LINK PIN	2
32	10-10635	"U" BOLT	
33	10-10600	RESERVOIR HEAD	
34	19-12966	SERVICE PUMP ASSEMBLY	
35*	D-2099-25	"O" RING	
36	10-10594	RESERVIOR	
37	10-10595	RAM CYLINDER	
38	10-10589	RAM CYLINDER	
39	D-2835-A	RAM SPACER	
40*	D-6437	BACK UP WASHER	
41*	D-2834-A	RAM CUP	
42	D-2836	RAM CUP RETAINER	
43	D-2637	JAM NUT	
44	10-10588	PUMP BASE	
45*	10-10342	PIPE PLUG 1/4-18	
46	5-51903	POWER UNIT ASSEMBLY	
47	19-12965	PUMP ASSEMBLY	
48	4-54950	PUMP PISTON ASSEMBLY	
49	10-11740	PACKING NUT	
50*	D-2099-10	PUMP WIPER	
51	10-10598	PUMP CYLINDER	

ITEM NO.	PART NO.	ITEM DESCRIPTION	REQD
52	2-54949	PISTON PUMP	
53*	10-11885	PISTON CUP	
54*	D-2027	PISTON CYLINDER WASHER	
55*	D-7270	EXPANSION PLUG	
56*	D-2099-7	"O" RING	
57	2-54954	RELIEF VALVE SCREW	
58*	D-7232	OVERLOAD SPRING	
59*	2-54219	OVERLOAD PLUNGER	
60*	D-2071	BALL 1/8 DIA.	
61	10-10169	RELEASE KNOB	
62*	2-58745	ROLL PIN	
63	56105	STEM	
64*	D-2099-5	"O" RING	
65*	10-12399	BALL	
66	2-58436	RELEASE	
67*	D-2099-6	"O" RING	
68	56106	RELEASE STEM ASSEMBLY	
69	4-58462	INSERT ASSEMBLY	
70	56107	COMPLETE ASSEMBLY	
71*	D-2070	BALL 5/16 DIA.	
72*	D-2074	BALL 7/32 BALL DIA.	
73	D-5096	LOCK WASHER 1/4"	2
74	SJ-5628	HEX NUT 1/4-20	2
75	D-6049-A	RETAINING RING 3/4	2
76	2-45956	SADDLE SHAFT	
77	19-10809	LIFT ARM ASSEMBLY	
79*	2-58541	CLIP PIN	3
80*	10-12019	LINK PIN	2
82	4-59103	HANDLE SOCKET ASSEMBLY	
83	2-59102	HANDLE SOCKET LINK	
84*	10-10801	PUMP SWIVEL PIN	
85	10-10597	PUMP SWIVEL	
86	2-50576	RETAINING RING	
87	10-10637	MACHINE SCREW 10-24 x 3/8	8
88	10-10633	ANGLE BRACKET	4
89	10-10613	BACK COVER	
91	D-7279	CAP SCREW 1/2-20 x 1-1/4	2
92	D-6094	LOCK WASHER 1/2	2
93	10-10949	CASTER WHEEL	4
95	2-55235	LOCK WASHER	4
96	D-6041	JAM NUT 3/4-16	4
97	10-10606	SIDE FRAME BUSHING	2
99	D-7440	LOCK WASHER	2
100	10-10605	LIFT ARM HINGE PIN	
101	19-10806	FRAME ASSEMBLY	

Repair Kit 5-569

Power Unit 5-51903

MADE IN THE U.S.A.

KIENE Equipment ...
an investment in safety
and productivity

KIENE

DIESEL ACCESSORIES, INC.

325 S. Fairbank Street, Addison, IL 60101
Phone: 1-800-264-5950 • 630-543-5950 • Fax: 630-543-5953
www.kienediesel.com • e-mail: info@kienediesel.com

KIENE

DIESEL ACCESSORIES, INC. 325 S. FAIRBANK ST. • ADDISON, ILLINOIS 60101 • (630) 543-5950 • FAX (630) 543-5953
• e-mail:alanc@kienediesel.com • www.kienediesel.com

Repair Kit

5-569

For
K-1310 Power Unit

