

Instruction Manual

High Lift Hand Truck



Note: The Owner/Operator must read carefully and understand all the information presented here before operation.

CONTENT

1.	Specification.....	2
2.	Safety Instructions.....	2
3.	Installation & Adjustment.....	3
3.1	Screw (part No.158).....	3
3.2	Handle.....	3
4.	Trouble Shooting Guide.....	6
5.	Exploded View & Part List.....	7
5.1	Fork Exploded View	7
5.2	Pump Assembly Exploded View.....	9

THANK YOU FOR USING THIS HIGH LIFT HAND TRUCK. FOR YOUR SAFETY AND CORRECT OPERATION, PLEASE CAREFULLY READ THIS INSTRUCTION BEFORE USING IT.

NOTE: All of the information reported herein is based on data available at the moment of printing. The factory reserves the right to modify its own products at any moment without notice and incurring in any sanction. So it is suggested to always verify possible updates.

1. SPECIFICATIONS

Model	HSP1-520	HSP1-680	HSP11/2-520	HSP11/2-680
Rated lifting capacity	1000 kgs		1500 kgs	
Max. Fork height	800 mm		800 mm	
Min. Fork height	85 ±2 mm		85 ±2 mm	
Fork length	1140 mm		1100 mm	
Fork width (outside)	520 mm	680 mm	520 mm	680 mm
Fork width (inside)	196 mm	356 mm	196 mm	356 mm
Lifting speed	9 mm/stroke			
Descending speed	∠0.1 mm/second			
N.W.	105 kgs	112 kgs	118 kgs	125 kgs

2. SAFETY INSTRUCTIONS

1. The truck shall be used in accordance with instructions handbook.
2. Don't put the hand & foot under the fork at any time.
3. Don't work on the slope surface.
4. Quick lifting is prohibited for loads of more than 300 kgs. Any manipulation of the pressure relief valve is strictly prohibited. All assembling, adjusting and maintenance shall only be done by industrial mechanics trained people. These people must be familiar with all safety regulations of European and national where the item is in use relating to the operation and maintenance of pedestrian controlled industrial trucks.
5. Load should be put on the fork center. Side-load is strictly prohibited.
6. The truck shall not be used to transport persons.
7. It is recommended to the driver to wear security shoes.
8. No modifications shall be carried out which adversely affect the compliance of the truck with prEN 1757-4.

3. INSTALLATION & ADJUSTMENT

1. Screw(part No.158)

- To prevent oil-leaking from oil tank during transportation, Air Screw (part No.158) is replaced with Oil-sealing Screw in the factory. But it has to be replaced back when you put this truck in use.
- How to change: Screw out Oil-sealing Screw, then screw in Air Screw With which the Pump housing(No.160) is hung, thus keep oil tank always connecting with atmosphere.

2. Handle

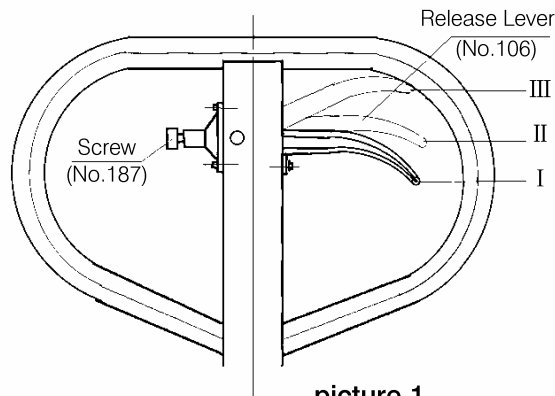
During transportation, the handle is disassembled from the truck and packed separately. It has to be assembled back and adjusted properly and carefully before use.

A Handle installation:

- Take 3 pieces of M10 Nut (No.185) & Spring washer from spare parts bag. Select handle to match the truck with the same fitting numbers.
- Assemble the handle on the Handle Base (No.181) with 3 pieces of M10 Nut & Spring Washer tightly.
- Put the chain's Eye Bolt (No.110) in the slot at the front end of Pendulum Arm (No.112).

B Handle adjustment

- There are 3 different positions with different functions for the Release Lever (part No.106). See picture 1



picture 1

- Position I: Quick lifting for fork.
- Position II: Slow lifting for fork.
- Position III: Descending for fork.

- **Test different functions by putting the Release Lever in 3 different positions respectively.**
If it does not function properly, then adjusting Lock Nut (No.113) by following process. See picture 2

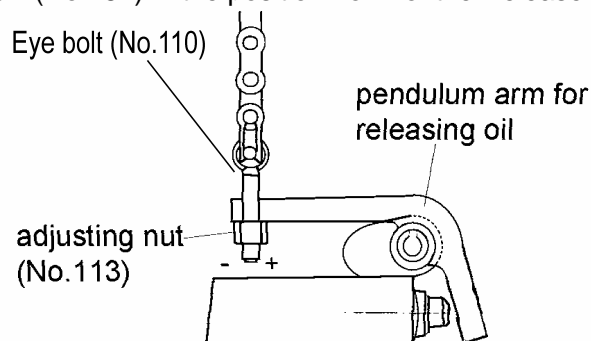
Problems	Turning direction of Lock Nut
Fork not lifted up	- (counter-clockwise)
Fork not lowering down	+ (clockwise)
Slow lifting no function	+ (clockwise)
Quick lifting no function	- (counter-clockwise)

- **Function of Adjusting Screw (No.187) for Release Lever (see picture 1)**

To fix release lever (No.106) into its 3 positions properly by adjusting the screw, you can adjust the operating force of the release lever.

To prevent accidental touch of the Release Lever which could cause sudden sliding down of the fork. You can tighten the Screw (No.187) in the position I or II of the Release Lever (No.106).

See picture 1

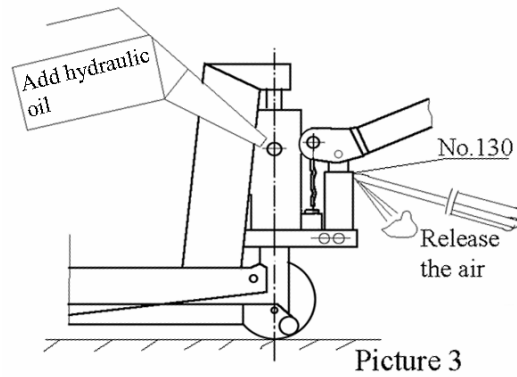


picture 2

- **How to release the air from the pump.**

See picture 3

When pushing the handle down, the fork can't be lifted instantly. Please loosen the Screw (No.130) on the pump while pushing the handle down slowly to release the air from the pump. Then tighten the screw.



Picture 3

● **When to add oil**

See Picture 3

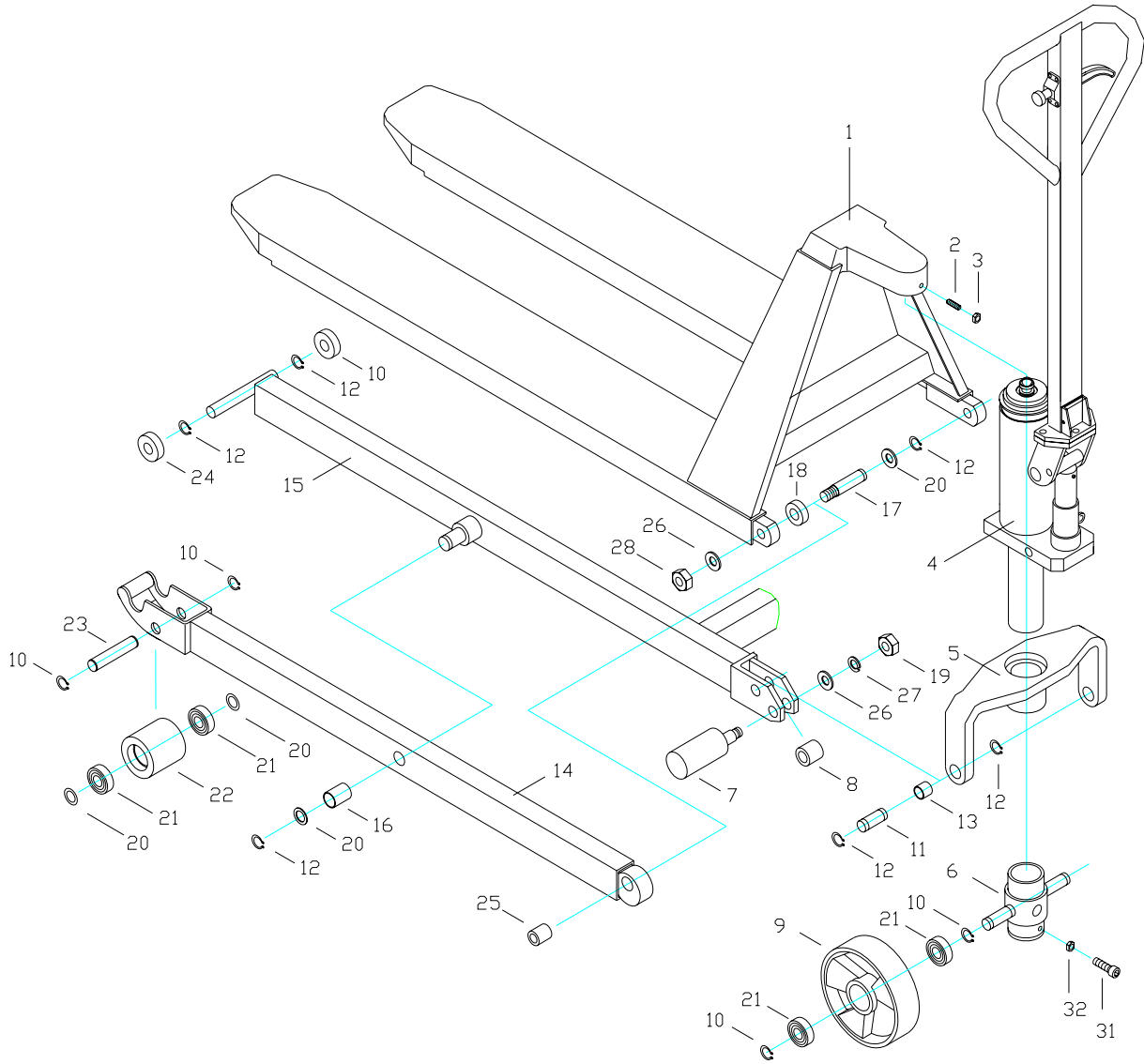
If the fork can't be pumped up to its rated highest position, you may have to add hydraulic oil into the oil tank. The hydraulic fluid to be used must have a quality of ISO VG22 or equivalence. Mixing of different fluids is prohibited!

4.TROUBLE SHOOTING GUIDE

Items	Symptom	Possible cause	Aliments
1	Fork can not be pumped up	<ol style="list-style-type: none"> 1. Low oil level in oil tank. 2. Exist air in the hydraulic system. 3. Adjusting nut is not adjusted properly. 	<ol style="list-style-type: none"> 1. Add proper hydraulic oil. 2. Fast operating the handle for several times. Bleed the system. 3. Adjust adjusting nut. (see picture 2)
2	Fork can't be released down	<ol style="list-style-type: none"> 1. Fork blocked. 2. Adjusting nut not adjusted properly. 	<ol style="list-style-type: none"> 1. Check and remove the block. 2. Adjust adjusting nut properly. (see picture 2)
3	Fork can't be pumped up to rated highest position.	Oil is not enough.	Add hydraulic oil. (see picture 3)
4	Fork lifting speed has no difference between position I and position II of release lever.	Adjusting nut is not adjusted properly.	Adjust adjusting nut. (see picture 2)

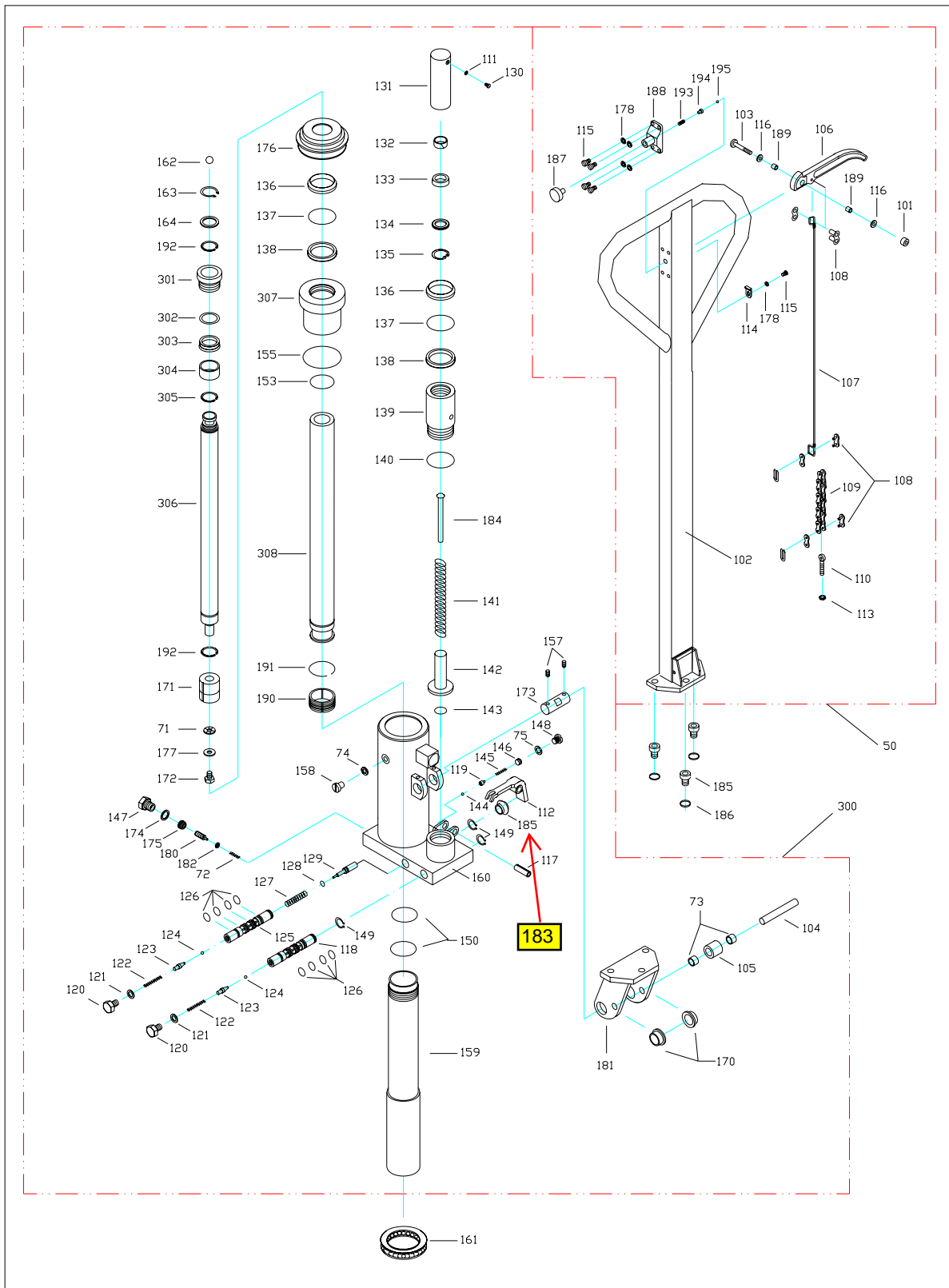
5. EXPLODED VIEW & PART LIST

5.1 Fork Exploded View & Part List



No.	Description	Qty
1	Fork	1
2	Screw	1
3	Nut	1
4	Power Unit	1
5	Hold Yoke	1
6	Wheel Yoke	1
7	Centrifugal Axle	2
8	Spacer	2
9	Steering Wheel	2
10	Snap Ring	8
11	Pin	2
12	Snap Ring	12
13	Bush	2
14	Leg	2
15	Leg	1
16	Bush	2
17	Pin	2
18	Washer	2
19	Nut	2
20	Washer	8
21	Ball Bearing	8
22	Front Wheel	2
23	Wheel Axle	2
24	Roller	4
25	Bush	2
26	Washer	4
27	Spring Washer	2
28	Nut	2
31	Screw	1
32	Nut	1
30	Steering Wheel Assembly (incls.6,9,10,21、 31、 32)	1

5.2 Pump Exploded View & Part List



Part No.	DESCRIPTION	QTY	Part No.	DESCRIPTION	QTY
71	Washer	1	※ 128	O-Ring	1
72	Spring	1	129	Release Indicator	1
73	Bush	2	※ 130	Screw	1
74	Washer	1	131	Pump Piston	1
75	Gasket	1	132	Guide Ring	1
101	Locknut	1	133	Y-Ring	1
102	Handle	1	134	Washer	1
103	Screw	1	135	Snap Ring	1
104	Pin	1	136	Scraper Ring	2
105	Roller	1	137	O-Ring	2
106	Release Lever	1	138	Y-Ring	2
107	Release Rod	1	139	Pump Cylinder	1
108	Chain Connector	3	140	O-Ring	1
109	Chain	1	141	Spring	1
110	Eye Bolt	1	142	Hi-pressure Piston	1
※111	Washer	1	143	O-Ring	1
112	Pendulum Arm	1	144	Ball	1
113	Pendulum Arm Nut	1	145	Spring	1
114	Positioner	1	146	Adjusting Screw	1
115	Screw	5	147	Sealing Screw	1
116	Washer	2	148	Screw	1
117	Pin	1	149	Snap Ring	2
118	Valve Insert	1	150	O-Ring	2
119	Seat	1	153	O-Ring	1
120	Screw	2	155	O-Ring	1
121	Gasket	2	157	Screw	1
122	Spring	2	158	Air Screw	1
123	Release Valve	2	159	Cylinder	1
124	Ball	2	160	Pump Housing	1
125	Valve Insert	1	161	Thrust Bearing	1
126	O-Ring	8	162	Ball	1
127	Spring	1	163	Snap Ring	1

Part No.	DESCRIPTION	QTY	Part No.	DESCRIPTION	QTY
164	Washer	1	187	lock Screw For Release Lever	1
170	Bush	2	188	Spring Socket	1
171	Piston	1	189	Spacer	1
172	Screw	1	190	Copper Piston	1
173	Axle	1	191	Snap Ring	1
174	Gasket	1	192	Snap Ring	2
175	Lock Screw	1	193	Spring	1
176	Rubber Sleeve	1	194	Pin	1
177	Washer	1	195	Ball	1
178	Washer	5	301	Bush	1
180	Adjusting Screw	1	302	Back-Up ring	1
181	Handle Base	1	303	Y-Ring	1
182	Adjusting Washer	1	304	Bush	1
183	Rubber Sleeve	1	305	Snap Ring	1
184	Spring Guide	1	306	Piston Rod	1
185	Screw	3	307	Cylinder Head	1
186	Spring Washer	3	308	Lifting Ram	1
300	Pump unit (incls.71,72,73,74,75,104,105,111,112,117,118,119,120,121,122,123, 124,125,126,127,128,129,130,131,132,133,134,135,136,137,138,139, 140,141,142,143,144,145,146,147,148,149,150,153,155,157,158,159, 160,163,164,170,171,172,173,174,175,176,177,180,181,182,183,184, 185,186,190,191,192,301,302,303,304,305,306,307,308)				1
50	Handle assembly (incls.101,102,103,106,107,108,109,110,113,114,115,116,178,187,188,189,193,194,195)				1
Remark : Parts with "⌘" mark are supplied together with the High Lifter and packed in the poly bags.					

* VERSION TWO