



Deluxe Toe Jack Instruction Manual



Models 6-ton, 10-ton and 25-ton



12 Timber Lane • Marlboro NJ 07746
tel:732.462.6277 • fax:732.462.6355
email: sales@hilmanrollers.com

09/06/2019

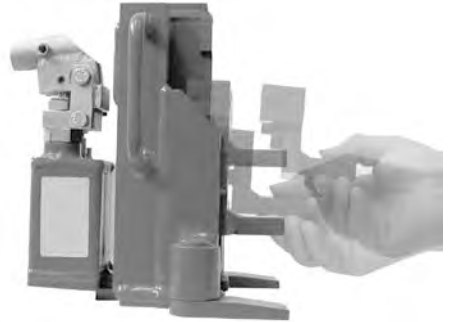
CONTENTS

3	INTRODUCTION
4	OPERATING INSTRUCTIONS
6	SAFETY WARNINGS
7	MAINTENANCE AND STORAGE
7	TROUBLESHOOTING
9-10	SPARE PARTS LIST
11	LIMITED WARRANTY

Thank you

For choosing a Deluxe Hilman Toe Jack

The Deluxe Hilman Toe Jack enables you to lift heavy loads, machines and other items safely.



Please read and comply with this user manual and the safety warnings prior to the use of these toe jacks to protect you and others.

This equipment must not be used to carry or lift personnel.

WARNING

IMPROPER USE OF HILMAN DELUXE TOE JACKS CAN RESULT IN SERIOUS INJURY

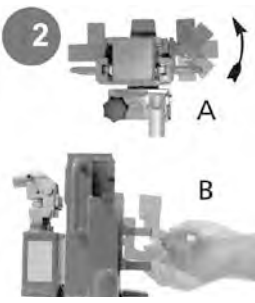
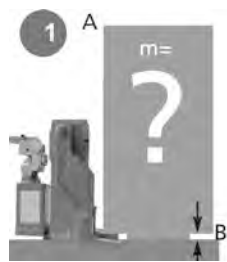
TO AVOID INJURY:

- Always make sure that the load is fully supported by the claw or top plate
- Jack to rest on solid ground in VERTICAL position
- Jack only with the pivoting feet facing towards the load
- Never exceed maximum lifting capacity
- No side load permissible
- Keep body parts from beneath the load and all moving parts at all times -
- Bystanders should keep clear of the load (to a min. of 1.5 times the highest point of the load)
- Support the load with suitable supports
- Lift on fixed parts of the load
- Do not use the jack if it is damaged or without a valid inspection certificate
- Always use recommended lubricants
- Always use genuine replacement parts
- Periodically check lubricant level
- Read the user manual provided with the jack and follow all instructions before operation
- The user is responsible for condition of all warning labels
- These instructions are guide- lines and you should always refer to the operating manual if in doubt.
- In all circumstances consider **“SAFETY FIRST”**

Deluxe Hilman Toe Jack User Manual

Before you start using your new Hilman Deluxe Toe Jack, please check the following:

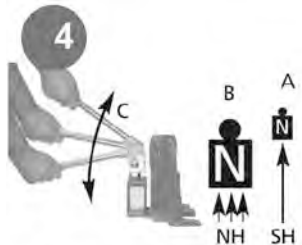
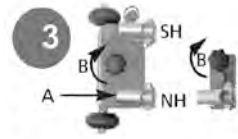
- The weight you have to lift (A)?
- Center of gravity?
- Which toe height fits best (B)?
- The area where the jack is positioned should be even for the whole base area including the support legs



When using the Jack you should always:
 Put the swiveling legs to the front of the jack (A)
 Then locate the lifting toe in the correct position (B).
 To do this you have to lift up the toe assembly, pull it out and push it back into the desired position and lower the toe until it cannot go down any further.

Determine the position you want your Hilman Deluxe Toe Jack at the base of the load.
 The load must not be positioned on the welding or cast radius of the toe

Position the handle in the slot of the pump head (A),
 Close the valve clockwise (B) then pump the lever up and down for regular stroke NH and fast stroke SH (C).



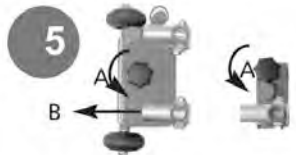
Fast stroke SH (only 25 ton) with 3-times the speed of the regular stroke NH.

This lifts the toe very fast into the required position under the load without actually contacting the load itself. **Do not lift the load using fast stroke SH (A).**

Use the regular stroke to lift the load as described in 3 (B).
 Move the lever as described before (C).



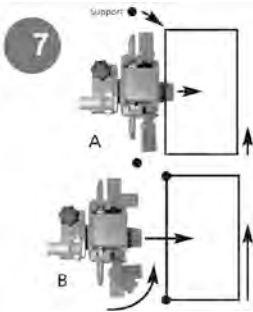
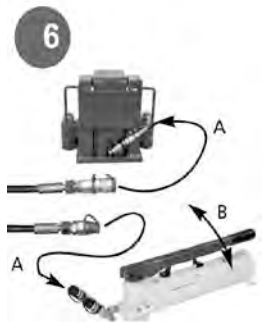
To lower the lifted load:
 Turn the valve carefully and slowly counter-clockwise to open the valve (A). By opening the valve slowly you are effectively metering the rate of descent of the load. Store the pump lever away where it will not get lost (B).
To avoid damage to the guides and extend the lifetime of the jack, please make sure that the lowering speed is slow.



Lifting and lowering using an external pump:

Use only an external pump that can be pressure-regulated to a maximum pressure of 7540 psi (520 bar)

- Connect the pump (hand or power) to the jack with a high pressure hose with the correct fittings (A).
- Close the valve on the toe jack as shown in step 3 (B).
- Make sure the external pump has adequate oil supply, then lift the toe jack from the external pump.
- Lower the load by **opening the valve slowly** (using the valve as a means of metering the rate of descent).

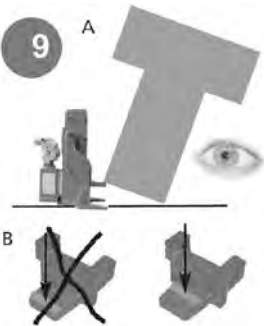
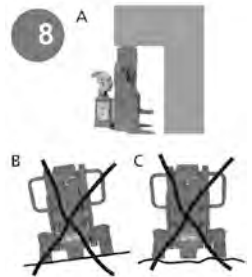


In cases where the swiveling legs have no space you should consider the following: Spread the legs to the outside (never to the back) and lift the load above the height of the legs

Place a piece of wood underneath the load (A), and lower the load onto the wooden blocks. Then swing the legs to the front and continue the lifting process (B).

Where there is sufficient height under the load you can also use the top plate (head) of the jack to lift (A). Use the jack only on even floors (never on inclined floors), otherwise the jack, including the load, could tip (B).

Never use the jack on uneven or rough surfaces. This could cause damage to the jack and the surface of the floor (C).



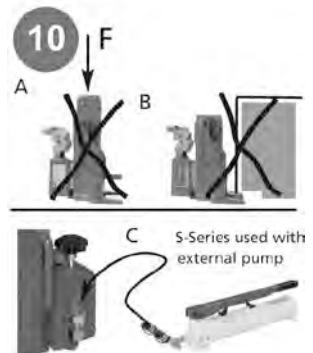
If you lift one side of a top-heavy object the load could top over (A). Watch the angle of the load carefully - if you see problems lower the load and use more than one toe jack and/or re-think the lifting plan.

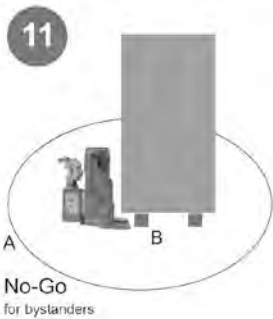
The load must never be placed on the front area of the toe (B).

Always place the jack in a position that maximizes toe contact area, but never on the welded or cast radius of the toe.

Never lower a load from a crane or fork lift onto the jack. This could cause overload and seriously damage the jack (A).

Lift up the load only in well-supported areas of the object, never on sheet metal covers because they could get damaged (B).





Always make sure that bystanders and children are away from the work area. Cordon off a NO-GO area with cones and tape, etc. The NO-GO area must be the area of the load plus a radius around the load of at least 1.5 times the highest dimension of the load. This is the operators' responsibility (A). Make sure the load is supported during the lifting and lowering process, and that the load will not shift during lifting/lowering (B). Under load, the jack should never be left unattended and should stay in the same position for only a short period of time.

If the load is lifted and you need to work on the load, always lower the load onto wooden supports first. Do not work on the object while the load is on the toe jack. Never put arms, legs, head etc. under a lifted load (A).

Wear protective footwear (B).

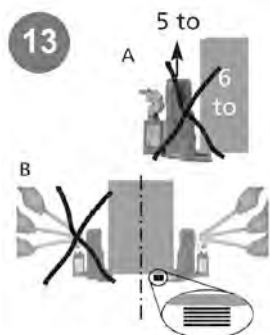
Wear a helmet if necessary (C).

Wear safety glasses if needed (D)

Wear gloves if necessary (E)

Wear a hair net if you have long hair and fix loose clothing (i.e. ties)

! Comply with all other safety warnings and other safety signs in the working area.

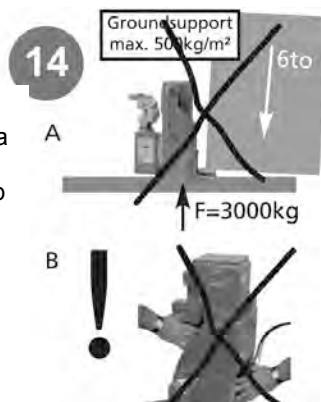


The jack will not lift loads above the rated capacity due to the built in safety valve (A). If you use more than one jack you should support the load gradually step by step (see diagram) to prevent an unbalanced load with different loads on each jack. Failure to do so could cause an overload on one jack and the load might tip (B).

The ground support should be equal to the force which is distributed through the base area of the jack. Overloading could damage the surface of the ground which could result in a tip of the load. (A).

Never put your arms or hands into or under moving parts of the jack if loaded or unloaded (B).

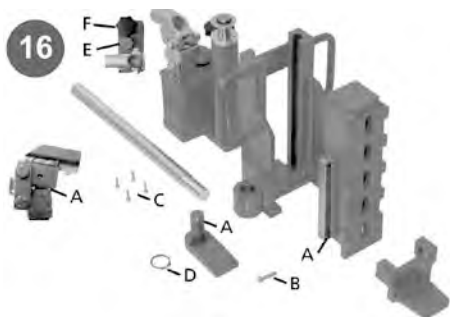
Attention - Be aware of the dangers of moving parts and the risk of injury to hands.



Before you start working you should fully understand that lifting and shifting heavy loads brings different risks and is dangerous. Therefore please follow this manual, ensuring that everyone who is using this equipment has fully read and understood this manual and the safety warnings. Nobody should use this equipment without first reading this manual. Always create a lifting plan so you know how you want to do the job prior to starting – and so that everybody involved knows what is going on.

Do not operate this equipment if you are ill, feeling sick or tired, or under the influence of alcohol or drugs. When you work under such condition you might harm yourself and others or even cause life threatening injuries.

An annual safety inspection of the jack should be carried out.



Maintenance and Storage

Grease all assigned areas at least once per year depending on the use of the jack. We recommend an annual oil change. This should be carried out as part of the yearly safety inspection.

Procedure for oil change:

Lift up the jack a little and release the retaining screw (B). Open the valve and push the lifting unit back to the lowest position. Take out the lifting unit.

Release the four screws on the bottom of the jack (C) which loosens the cylinder and pump in order to fully extract.

Open C-clip (D) and remove the legs (not necessary if you have grease nipples on legs). Open the oilscrew (E) incl. valve and if necessary take out valve (F). Recycle the old oil according to local environmental laws. Fill oil into the tank but not more than a maximum of 1 inch (20-30 mm) between the top and the oil level.

Storage: always store in the upright position and in a dry area.

17

Troubleshooting

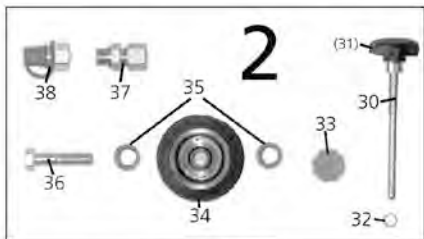
What if	Reason	How to solve
Load can be only partly lifted	Too little oil in the Tank	Refill oil (see above)
Load cannot be lifted at all	Valve open	Close
	Capacity not sufficient	Use additional or stronger jack
	Safety valve loose	Tighten Pumpscrew
	Ball on valve does not seal	Press ball into bottom, close valve very tightly if necessary by using pliers
	Safety valve dirty	Take out and clean or replace
	Safety valve damaged	Take out and replace
	Head seal pump damaged	Take out and replace
Load lowers with valve closed	Safety valve dirty or damaged	Take out and clean or replace
	Seal damaged	Take out and replace

18

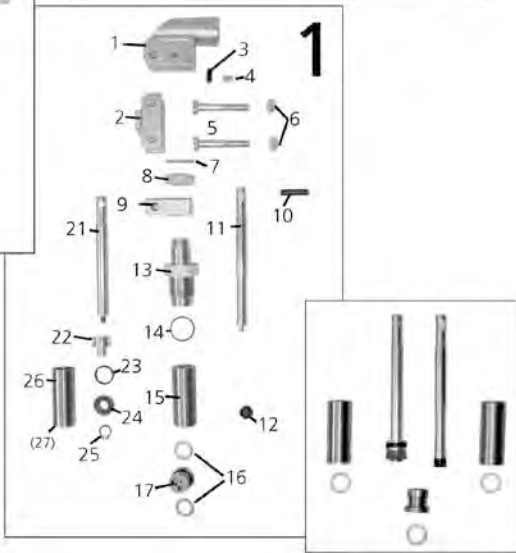
4



2



1

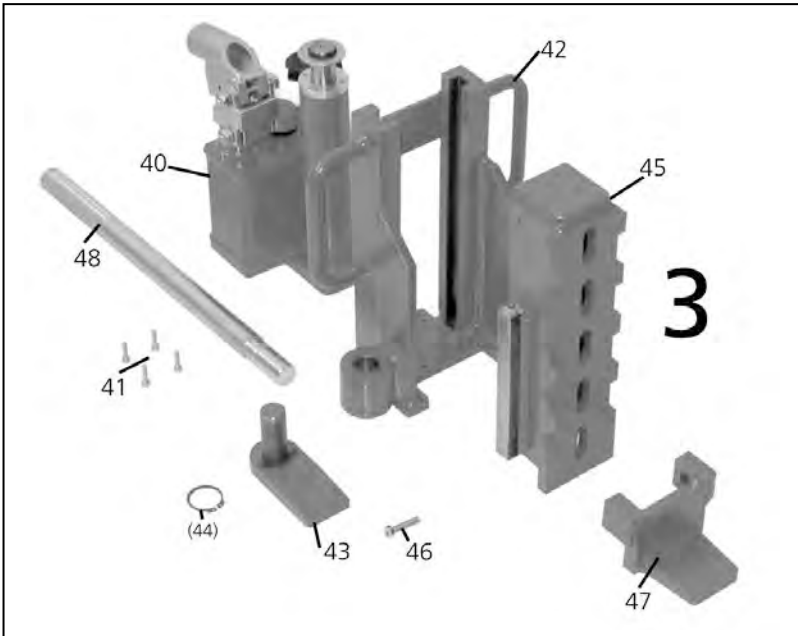


Please supply with your order the correct part number, quantity required and description as well as the type of the jack and serial number. If a repair has to be carried out, please send only the defective parts. Thank you.

Spare parts, universal					
	Pos. Description	Qty	HTJ-6D / HTJ-10D	Qty	HTJ-25D
Diagram 1:					
1	Pump joint 1	1	951057100	1	951057100
2	Pump joint 2	1	951057200	1	951057200
3	Spring pressure ball	1	990061501	2	990061501
4	Nut for 3	1	990193010	2	990193010
5	Joint screw	2	990193009	4	990193009
6	Joint nut	2	990198001	4	990198001
7	Distance washer	1	990112001	2	990112001
8	Nut M18x1	1	951059200	2	951059200
9	Jointbox	1	951057300	2	951057300
10	Pin	1	990114001	2	990114001
11	Pump Ram NH	1	951059300	1	951059300
12	Ram seal	1	991005000	1	991005000
13	Screwed socket ram	1	991059100	2	991059100
14	O-Ring pump	1	991004002	2	991004002
15	Cylinder pump NH	1	951059400	1	951059400
16	Copper Seal	2	990176001	4	990176001
17	Safety-valve	1	991200520	2	991200520
21	SH-pump ram			1	952559300
22	SH-piston			1	952559500
23	SH-piston guide			1	991001251
24	SH-U-seal			1	991003251
25	SH-C-clip			1	990147008
26	SH-Cylinder pump			1	952559400
27	SH-Cylinder adapter	1	951058000	1	951058000

Diagram 2:					
30	Valve	1	951058000	1	951058000
31	Stargrip	1	990063100	1	990063100
32	O-ring valve	1	991004001	1	991004001
33	Oil screw	1	990055001	1	990055001
34	wheel			2	110521101
35	Wheel washer			4	990112001
36	Wheel screw			2	990193011
37	Stud coupling S/G-FL	1	991102007	1	991102007
	Stud coupling XR	1	991102006	1	991102006
38	Male hose coupler	1	080270001	1	080270001
Diagram 3:					
48	Lever pump	1	951057400	1	951057400

Spare parts specific					
	Pos. Description	Qty	HTJ-6D	HTJ-10D	HTJ-25D
Diagram 3:					
40	Pump /cylinder S/G-FLT	1	950620000	950620000	950620000
	Cylinder XR	1	991103045	991103100	991103250
41	Screw cylinder S/G-FLT	4	990191019	990179007	990179007
	Cylinder XR	1	990191022	990191023	990191025
42	Frame S/G-FLT	1	950610101	950610101	950610101
	Frame XR	1	950610101	950610101	950610101
43	Swiveling leg	2	950610201	950610201	950610201
44	C-Clip/Nut+washer leg	2	990147007	990147007	990147007
45	Lifting unit S/G-FLT	1	950630000	950630000	950630000
	Lifting unit XR	1	950630000	951130000	951130000
46	Screw lifing unit	1	990179008	990179006	990179001
47	Toe	1	950640000	951040000	952540000
48	Lever	1	991057400	991057400	991057400
Diagram 4:					
50	Piston rod	1	950650300	951050300	952550300
51	Piston	1	950650200	951050200	952550200
52	Piston guide	1	991001050	991001100	991001250
53	U-Seal piston	1	991003050	991003100	991003250
54	C-Clip piston	1	990147002	990147005	990147010
55	Piston head	1	950650100	991050100	952550100
56	Piston head guide	1	991002050	991002100	
57	C-Clip securing plate	1	990147006	990147002	
	Screw securing plate	1			990179005
58	Securing plate S/GFLT1	1	950550400	951050400	952550400



LIMITED WARRANTY

We warrant each new Hilman Toe Jack sold by us to be free from manufacturing defects in normal service for a period of one (1) year commencing with delivery of the Toe Jack to the original user. Our obligation under this warranty is expressly limited at our option, to the replacement or repair at Hilman, Incorporated, Marlboro, New Jersey 07746 USA, or at a service facility designated by us, of such part or parts as inspection shall disclose to have been defective. This warranty does not apply to defects caused by damage or unreasonable use, including failure to provide reasonable and necessary maintenance while in the possession of the consumer.

WE SHALL NOT BE LIABLE FOR CONSEQUENTIAL DAMAGES OF ANY KIND, including, but not limited to, consequential labor costs or transportation charges in connection with the replacement or repair of defective parts. We make no warranty with respect to trade accessories. They are subject to the warranties of their manufacturers.

ANY IMPLIED OR STATUTORY WARRANTIES, INCLUDING ANY WARRANTY OF MERCHANTABILITY OR FITNESS FOR A PARTICULAR PURPOSE, ARE EXPRESSLY LIMITED TO THE DURATION OF THIS WRITTEN WARRANTY. We make no other express warranty, nor is anyone authorized to make any on our behalf.

*In compliance with 1975 Consumer Product Warranties Law
HILMAN, INCORPORATED, 12 Timber Lane, Marlboro, New
Jersey 07746



Deluxe Toe Jack Warnings & Inspection

Capacity / Model Number: _____ Serial Number: _____ Manuf. Date: _____

Inspected by: _____

Inspection Date: _____ Inspector's Signature: _____

Approval Stamp:



! WARNING

IMPROPER USE OF HILMAN DELUXE TOE JACKS CAN RESULT IN SERIOUS INJURY

TO AVOID INJURY:

- Always make sure that the load is fully supported by the toe or top plate
- Jack to rest on solid ground in VERTICAL position
- Jack only with the pivoting feet facing towards the load
- Never exceed maximum lifting capacity
- No side load permissible
- Keep body parts from beneath the load and all moving parts at all times -
- Bystanders should keep clear of the load (to a min. of 1.5 times the highest point of the load)
- Support the load with suitable supports
- Lift on fixed parts of the load
- Do not use the jack if it is damaged or without a valid inspection certificate
- Always use recommended lubricants
- Always use genuine replacement parts
- Periodically check lubricant level
- Read the user manual provided with the jack and follow all instructions before operation
- The user is responsible for condition of all warning labels
- These instructions are guide- lines and you should always refer to the operating manual if in doubt.
- In all circumstances consider **"SAFETY FIRST"**

Models 6-ton, 10-ton and 25-ton



12 Timber Lane • Marlboro NJ 07746
tel: 732.462.6277 • fax:732.462.6355
email: sales@hilmanrollers.com