

**HEIN-WERNER
AUTOMOTIVE**

Air Actuated Truck Jacks

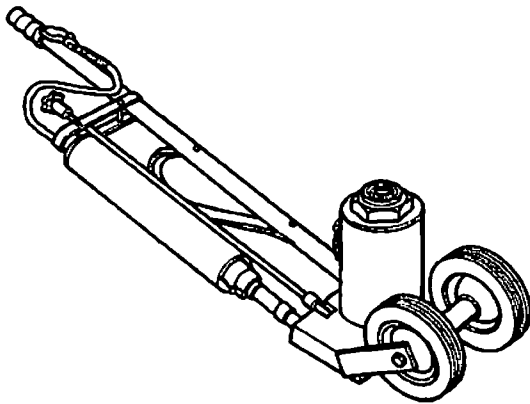
Operating Instructions & Parts Manual

Model Number
HW93731
HW93733

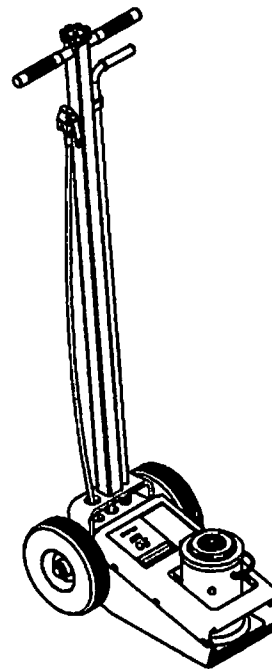
Capacity
20 Ton
20 Ton



**Made in the
U.S.A.**



Model HW93731



Model HW93733



This is the safety alert symbol. It is used to alert you to potential personal injury hazards. Obey all safety messages that follow this symbol to avoid possible injury or death.

SFA Companies
10939 N. Pomona Ave. Kansas City, MO 64153
customerservices@heinwerner-automotive.com

Read this manual and follow all the Safety Rules and Operating Instructions before using this product.

HW83731-M0 rev 12/07

Replacement Parts Illustration For Model HW93733 (Part I) - refer to page 11 for parts list

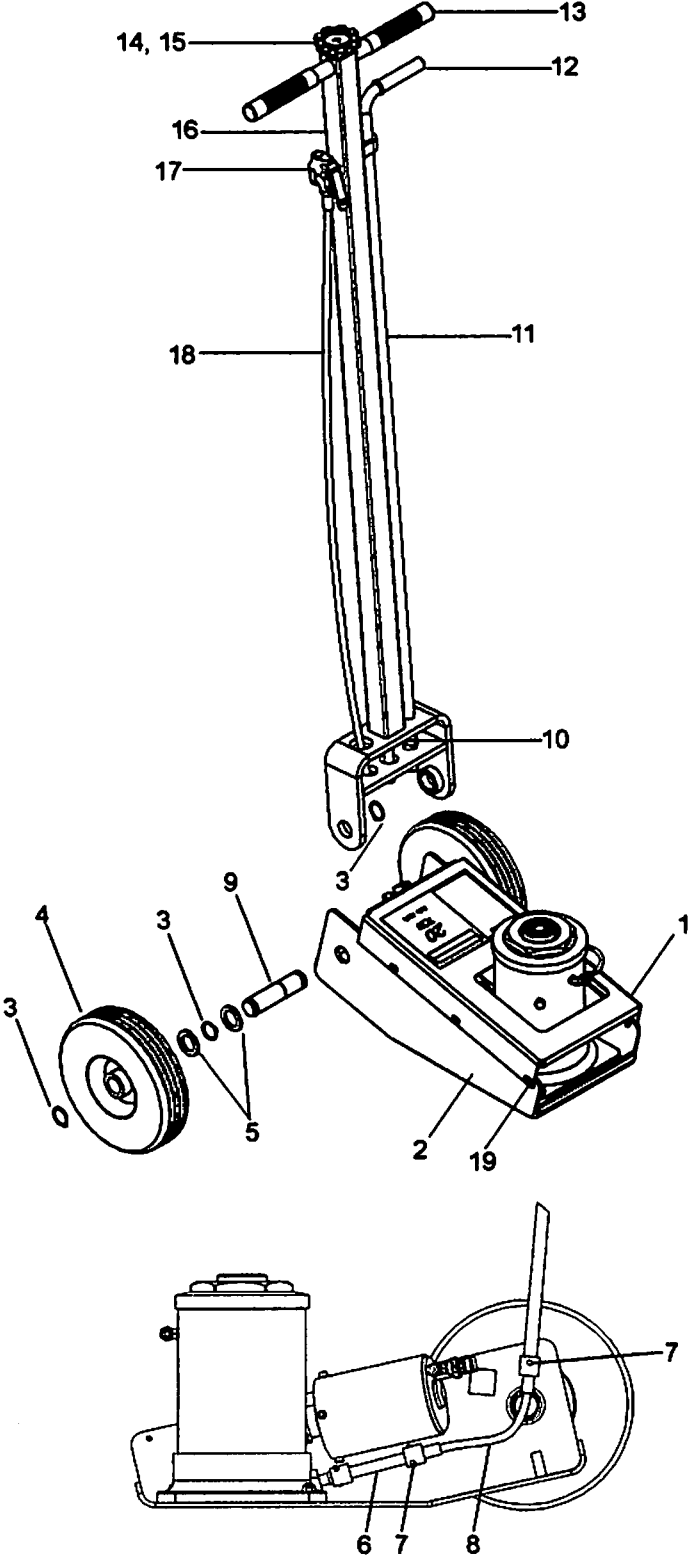


Figure 7 - Parts Illustration for Model HW93733 - Main Frame

9

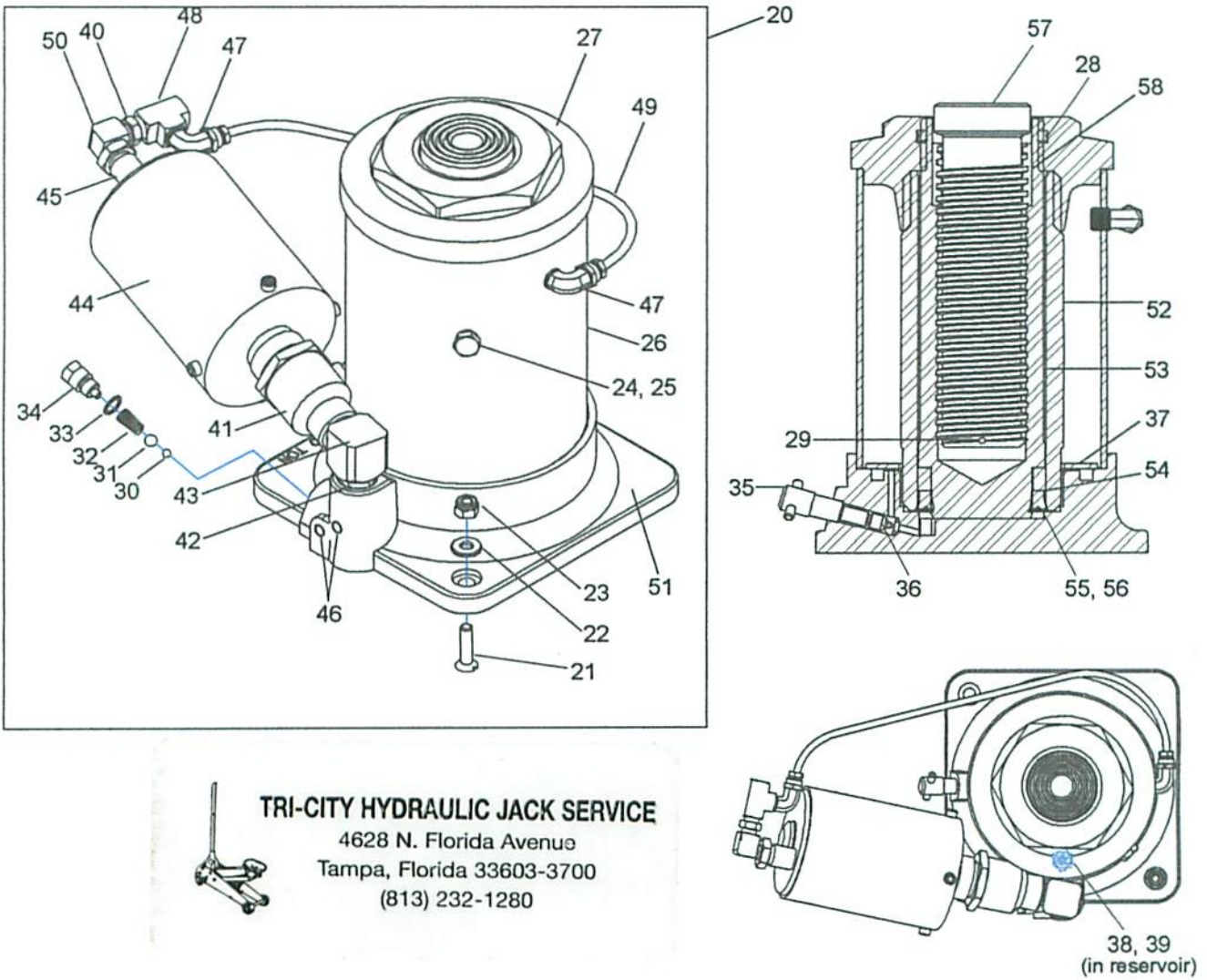


TRI-CITY HYDRAULIC JACK SERVICE

4628 N. Florida Avenue
 Tampa, Florida 33603-3700
 (813) 232-1280

Replacement Parts Illustration For Model HW93733 (Part II) - refer to page 11 for parts list

Hydraulic Unit Assembly (includes Air Motor)



Air Motor

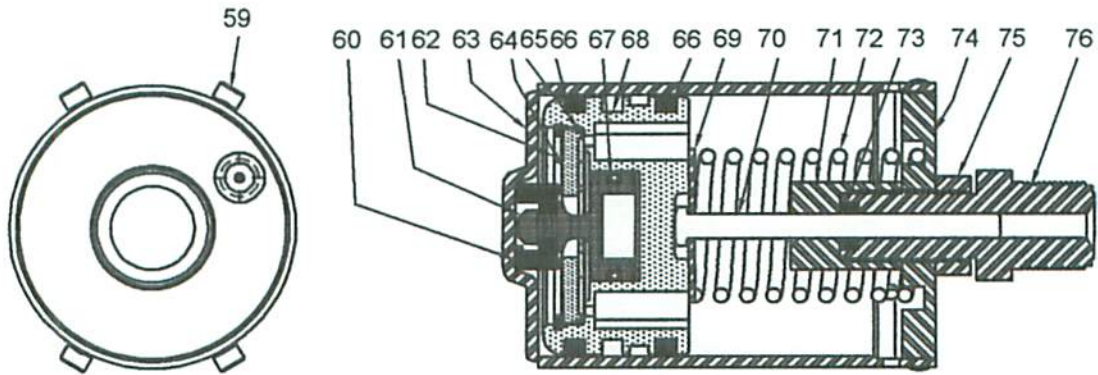


Figure 8 - Parts Illustration for Model HW93733 - Air Motor & Hydraulic Unit

Replacement Parts List For Model HW93733 - refer to page 9 & 10 for parts drawings.

Item	Part No.	Description	Qty
1	BK210980SF	Top Cover	1
2	BJ511626SF	Frame Weldment	1
3	BB557523SF	Retaining ring, .94D	6
4	48002006	Wheel, Rubber 8Dx2.5W	2
5	85004016SF	Axle Thrust 1 ID	2
6	BK901038SF	Release Valve Adapter	1
7	235-21011	Pin, 3/16D	2
8	85004024	Flex Shaft	1
9	BJ395104SF	Wheel Axle 1D x 4-1/8L	2
10	23314012SF	Handle Release Spring	1
11	85002007SF	Release Rod	1
12	23220005	Handle Grip, Release Rod	1
13	23220001	Handle Grip	2
14	23220094SF	Knob, Release Valve	1
15	23521011SF	Pin, Knob 3/16D x 1-1/8L	1
16	85001011SF	Handle Assembly	1
17	1-312-00002	Air Valve, 1/4NPT	1
18	BJ354646	Air Hose, 1/4 ID	1
19	SJ100374	Screw, Phillips #10-32x1/2L	6
20	90000352SF	Jack & Air Motor Assy.	1
21	BJ318028	Screw, Flat 1/4-20UNCx1L	2
22	BD215108	Washer, 1/4	2
23	SJ100079	Nut, Hex 1/4-20UNC	2
24*	AJ100060	Filler Screw, 5/16-24x1/2L	1
25*	AJ100020	Gasket, 15/32OD	1
26	BJ389025	Reservoir	1
27	BJ398020	Top Cap	1
28*	NJ100046	Quad ring	1
29	BD674061	Pin, 1/8D x 9/16L	1
30*	B1160000	Ball, 7/32	1
31*	BS116000	Ball, 5/16	1
32*	AJ100040	Valve Spring	1
33*	BB159167	Gasket, 19/32OD	1
34*	BK300600	Valve Plug	1
35	BK490010	Release Spindle	1
36*	AJ100312	O-ring, 3/16ID	1
37	BK810800	Washer, 4-5/8OD	1
38	BK876900	Relief Valve	1
39	BS303700	Washer, 3/8OD, 17/64ID	1
40	BJ790096	Nipple, 1/8"MPT	1

Item	Part No.	Description	Qty
41	BK729200SF	Adapter, Air Motor	1
42	BJ580096	Pump Nipple	1
43	BK729100SF	Elbow, 78°, 3/8FPTx1/4MPT	2
44	31060002SF	Air Motor	1
45	BJ788039	Bushing	1
46	B1060100	Plug, Hex 1/4-28UNF	2
47	BJ990096	Male Elbow, 90°, 1/8MPT	2
48	BK264096U	Tee, Union, 1/8PT	1
49	BJ649268	Tube, 1/4ODx16L	1
50	BJ479096	Street Elbow, 90°, 1/8NPTF	1
51	BK550050	Base	1
52	BJ390030	Cylinder	1
53	21100488	Plunger	1
54*	36400011	Bearing	1
55*	248428	U-cup 2.5x2x.38	1
56*	30600031	Retaining Ring 2-18OD, 1-7/8ID	1
57	BJ382028	Adj, Screw	1
58	BJ385446	Plunger Sleeve	1
59	201-00821	Capscrew, Socket Head #10-32UNF	4
60*	2-315-00002	Seal, Shuttle Valve	1
61	2-310-40004	Air Shuttle Piston	1
62	1-230-06001	Retaining Ring, 2-1/8 D	1
63	310-11033	Cylinder, Air Motor	1
64	1-310-91014	Piston Cap	1
65*	1-390-01061	O-ring, 2-1/4 x 1/16 x 2-1/8	1
66*	1-390-02010	Quad ring, 3OD, 2-5/8ID	2
67*	1-390-10076	Seal, 1-1/4OD x 1ID x 1/8W	1
68	4-310-41017	Piston, air Motor	1
69	1-204-01106	Washer, 1.75x.32x.064	1
70	353-49252	Pump Plunger	1
71	353-49258	Pump Housing Cap	1
72	1-233-15003	Spring, 1.75OD	1
73*	390-10083	Seal, .277IDx.528OD	1
74	310-20032	Air Motor End Cap	1
75	203-62004	Nut, 13/16-16UN x 0.4L	1
76	353-49254	Pump Housing	1
(*)	B7002000	Repair Kit	-

(*) indicates items included in Repair Kit B7002000



TRI-CITY HYDRAULIC JACK SERVICE

4628 N. Florida Avenue
Tampa, Florida 33603-3700
(813) 232-1280