

FELCO®

HYDRAULIC JACKS

OPERATING INSTRUCTIONS AND SPARE PARTS LIST

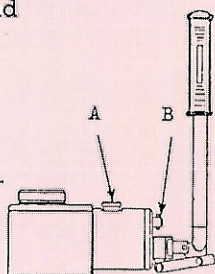
MADE IN U.S.A.

OPERATING INSTRUCTIONS

YOUR FELCO HYDRAULIC JACK HAS BEEN PRE-FILLED AT THE FACTORY WITH PREMIUM GRADE HYDRAULIC OIL.

TO PREPARE FOR USE:

1. Remove green storage cap (A) (used to avoid leakage during storage and/or shipment) and replace with brass breather cap.
2. Slacken release valve (B) ½ turn with notched end of handle. With handle in operating position, pump jack several times to remove any air from system.



TO LIFT:

Tighten release valve (B). Place handle in operating position. Place jack squarely under load and operate handle. (Do not lift with only part of jack under load.)

TO LOWER:

Slowly slacken release valve (B).

IMPORTANT MAINTENANCE:

1. Keep hydraulic oil clean and replace when needed. Use a high grade hydraulic oil such as SHELL TELLUS 32 or similar. Fill to within 3/8" from top of reservoir body.
2. Oil pivot pins occasionally.
3. When stored or used in damp conditions, oil all exposed parts to prevent rust.
4. Keep jack clean to ensure satisfactory operation.

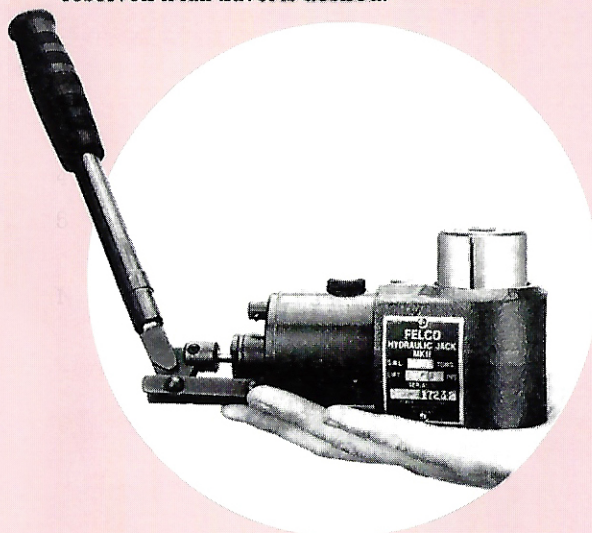
WARNING

1. Do *NOT* load jack beyond rated capacity.
2. Do *NOT* extend jack beyond specified lift height.
3. Do *NOT* lift with only part of the jack under load.

TO USE JACK LYING ON ITS SIDE:

1. Loosen allen capscrews. (Part No. 26—See parts list)
2. Loosen small cylinder. (Part No. 18)
3. Rotate reservoir body (Part No. 30) 90 degrees clockwise or counter-clockwise depending on which side the jack will be lying. This is done to bring the breather hole facing up and prevent leakage.
4. Re-tighten allen capscrews and small cylinder.
5. To use jack in its normal upright position, reverse above procedure.

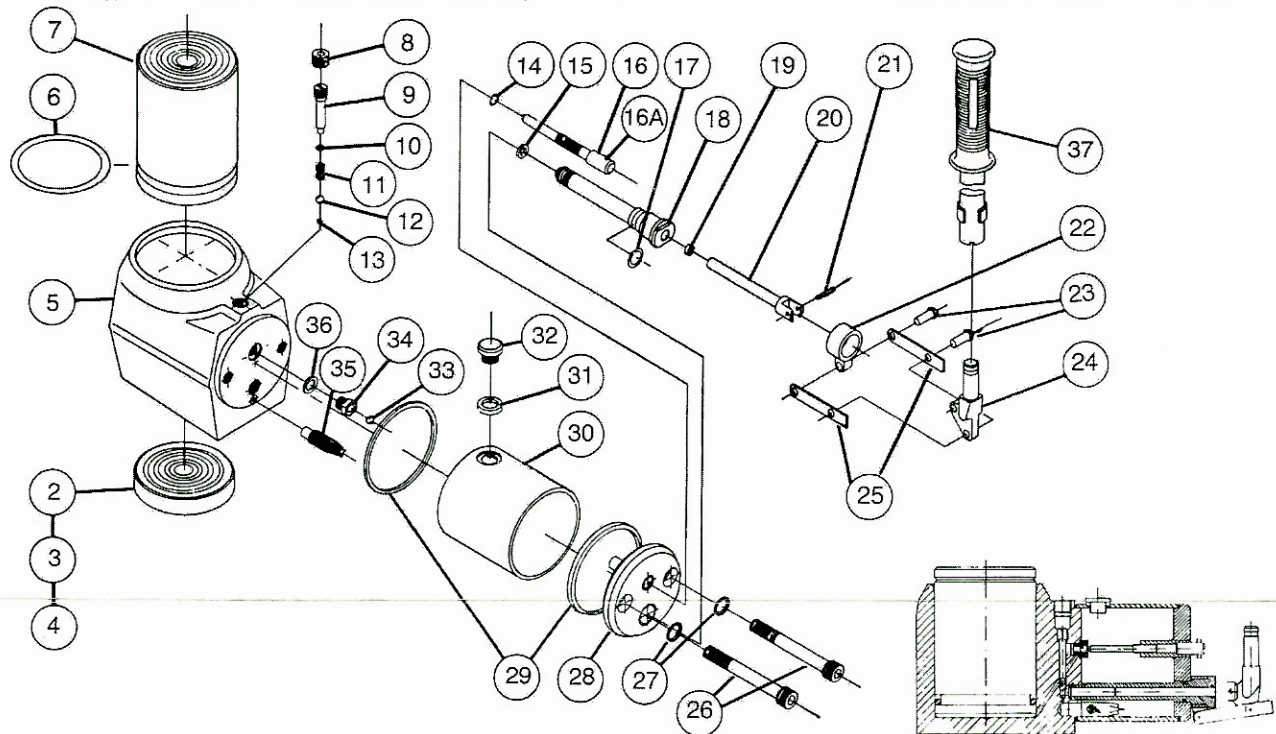
Note: Due to the location of the intake valve, the jack will give somewhat less than its rated lift when lying on its side. It may be necessary to add more oil to the jack reservoir if full travel is desired.



"THE QUALITY REMAINS LONG AFTER THE PRICE IS FORGOTTEN."

FELCO®

THE FELCO HYDRAULIC JACK MK II SPARE PARTS LIST



PART NO.	DESCRIPTION
2	EXTENSION PIECE (.375 in. thick)
3	EXTENSION PIECE (.625 in. thick)
4	EXTENSION PIECE (1.000 in. thick)
5	MAIN CYLINDER
6	'O' RING
7	LARGE PISTON
8	ALLEN SETSCREW (HJC,HJD models only)
9	PLUG
10	COPPER WASHER
11	SPRING
12	BALL
13	BALL
14	'O' RING
15	COPPER WASHER
16	RELEASE VALVE SPINDLE
16a	SPRING PIN
17	'O' RING
18	SMALL CYLINDER
19	'O' RING
20	SMALL PISTON
21	SPRING PIN
22-25	LINK ARM ASSEMBLY
26	ALLEN CAPSCREW
27	COPPER WASHER
28	END PLATE
29	WASHER
30	RESERVOIR BODY
31	'O' RING
32	BRASS BREATHER CAP
32a	STORAGE CAP
33	BALL
34	VALVE GLAND
35	FILTER
36	COPPER WASHER
37	HANDLE
38	REPAIR KIT
39	WOODEN CARRYING CASE
40	1 QT. FELCO PREMIUM GRADE HYDRAULIC OIL

ORDERING INSTRUCTIONS

WHEN ORDERING PARTS
PLEASE SPECIFY TYPE OF JACK:
HJA, HJB, HJC, HJD
FOLLOWED BY PART NUMBER
Example: HJA-No. 18
(Small cylinder for type HJA jack.)

FELCO®