

Master Copy

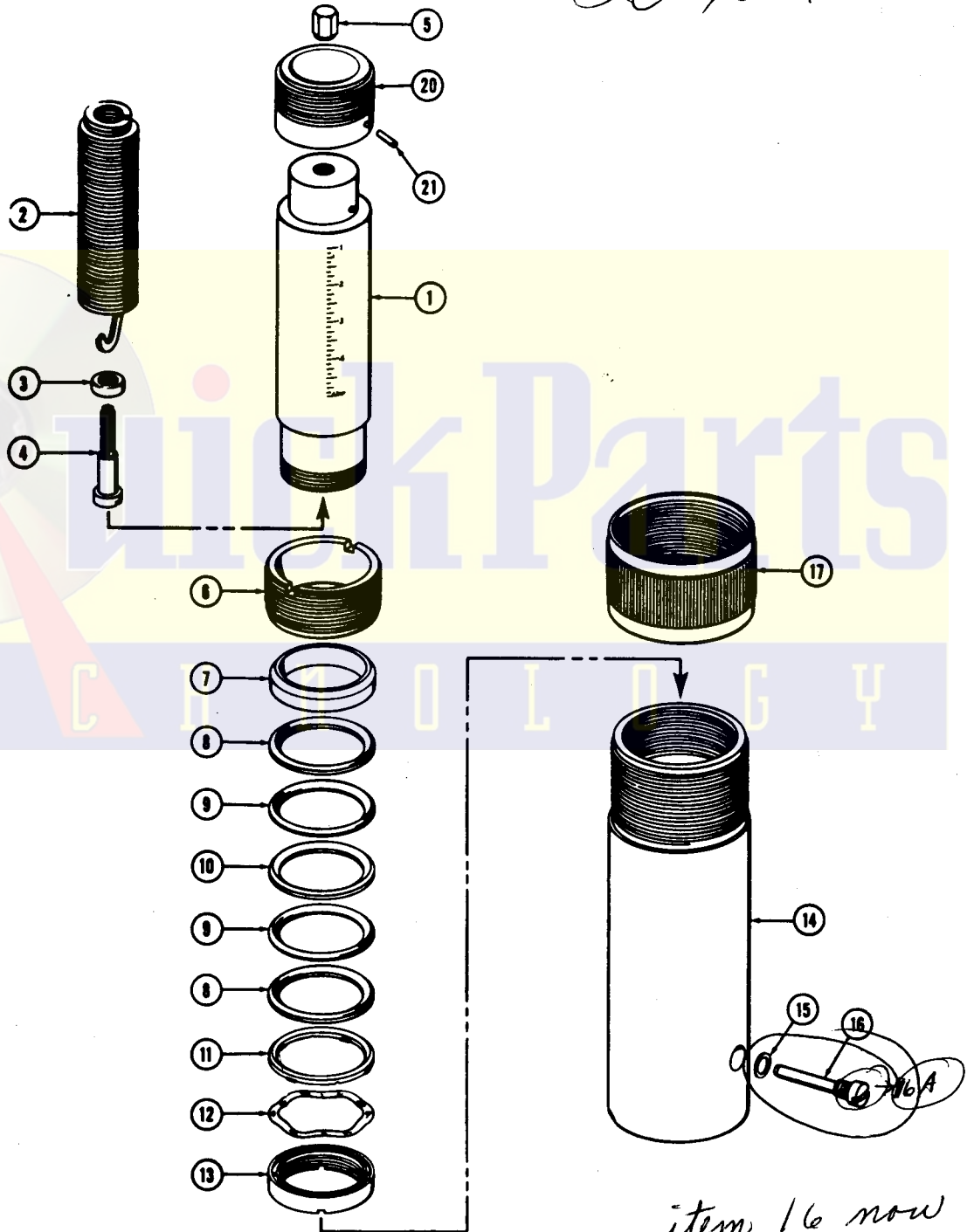
**ENERPAC**

**Repair  
Parts Sheet**

**RSP-251**

OBS 11-3-81

RPL/w/with EOE251\$ = RC251-1 = RC256  
20 Ton



item 16 now  
2 items 1-R225302 pin  
and 1-S4185 plug  
16A

TO PROTECT YOUR WARRANTY, USE ONLY ENERPAC HYDRAULIC OIL.

# PARTS LIST

Item No.	Description	No. Req'd.	Part Number
1	Plunger Assembly (Includes Items 20 & 21)	1	R251.900
2	Spring	1	R225.184
3	Thrust Bearing	1	R225.155-1
4	Adjusting Screw	1	R225.143-1
5	Nut	1	R225.55
6	Stop Ring	1	R77.44-1
7	Disc	1	R225.71
8	Chevron	2	*
9	Cup Separator	2	*
10	Chevron	1	*
11	Spreader	1	R77.43-1
12	Spring Washer	1	*
13	Retaining Nut	1	R77.35
14	Base	1	R225.05
15	Gasket	1	*
16	Retaining Screw	1	R225.302
17	Thread Protector	1	R158.271
20	Saddle	1	R251.45
21	Pin	1	R251.61
	Half Coupler	1	AR400
	Dust Cap	1	Z410-1
	Decal	1	*
	Cylinder Packing Kit		RC251K
	Coupler Packing Kit		A604K

**NOTE:** Orders for parts cannot be filled unless both model and serial number with prefix imprinted on nameplate are given.

PARTS AND SERVICE	WARRANTY	WARRANTY RETURN PROCEDURE
<p>For quality workmanship and genuine ENERPAC parts, select a Franchised ENERPAC Service Depot for your repair needs.</p> <p>Only repairs performed by a Franchised Service Depot displaying the official ENERPAC Franchised sign are backed with full factory warranty.</p> <p>The Classified Section in your Phone Book lists your nearest Franchised Service Depot.</p>	<p>ENERPAC warrants its products against defects in workmanship and materials for 90 days from date of delivery to user. Chain is not warranted.</p> <p>Warranty does not cover ordinary wear and tear, abuse, misuse, overloading, altered products or use of improper fluid.</p>	<p>When question of warranty claim arises, the user should send his unit to the nearest ENERPAC Franchised Service Depot for inspection, transportation to be prepaid and evidence of purchase date furnished. If the claim comes under the terms of our warranty, the Franchised Service Depot will REPAIR OR REPLACE PARTS AFFECTED and return prepaid.</p>

# ENERPAC®

AN APPLIED POWER  INDUSTRY