

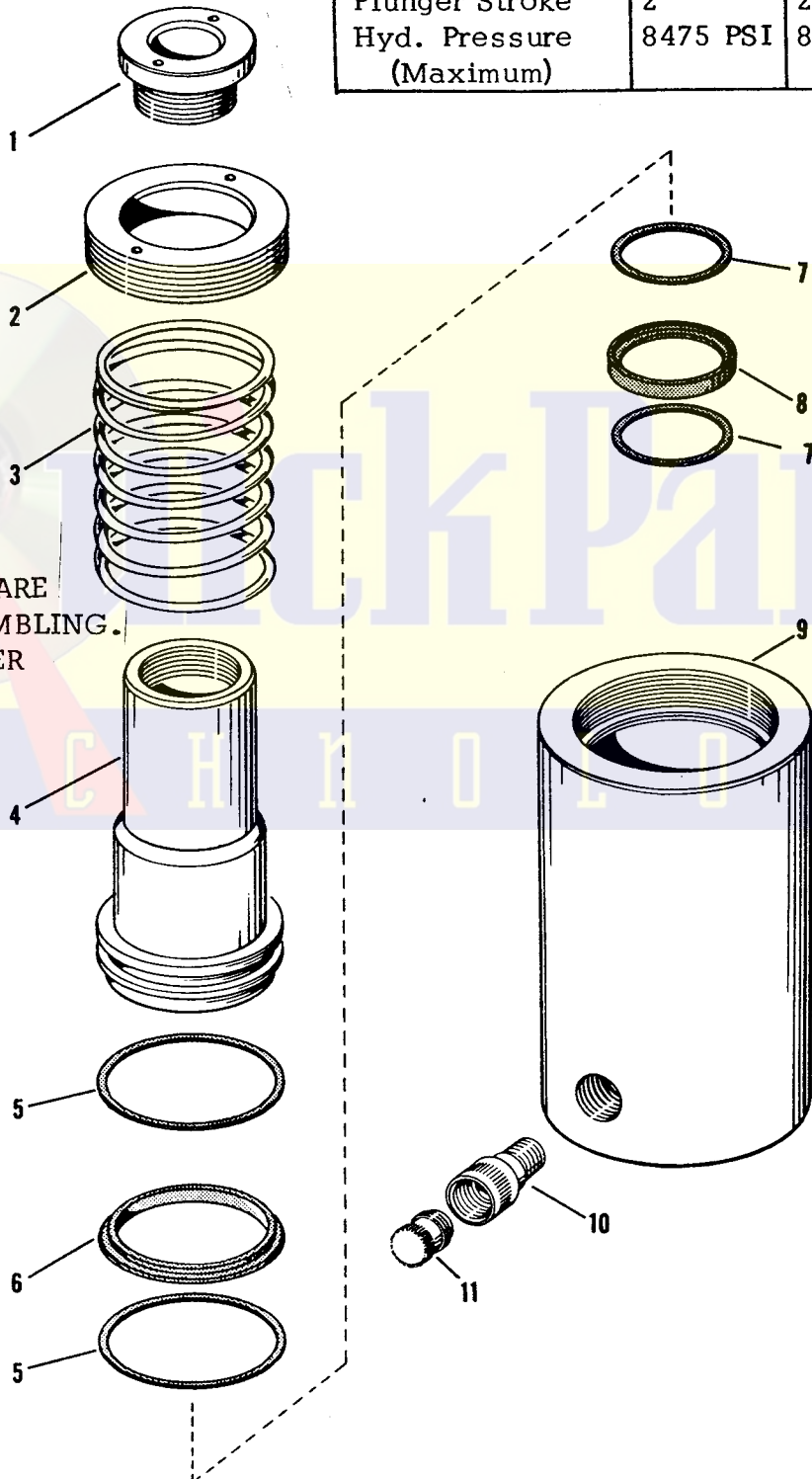
Master Copy

**ENERPAC**

**Repair  
Parts Sheet**

RC-20, RC-20T,  
RC-30, RC-30T,  
RC-60, RC-60T

SPECIFICATIONS	RC-20	RC-30	RC-60
Rated Capacity	20 Ton	30 Ton	60 Ton
Plunger Stroke	2"	2 1/2"	3"
Hyd. Pressure (Maximum)	8475 PSI	8320 PSI	8800 PSI



**CAUTION:**  
USE EXTREME CARE  
WHEN DISASSEMBLING.  
SPRING IS UNDER  
COMPRESSION.


TO PROTECT YOUR WARRANTY, USE ONLY ENERPAC HYDRAULIC OIL.

Item No.	Description	No. Req'd.	Model No.	Model No.	Model No.
			RC-20	RC-30	RC-60
			RC-20T	RC-30T	RC-60T
1	Saddle (Smooth Hollow)	1	HP2034	HP3043	HP5031
	Saddle (Threaded Hollow)	(A)	HP2014	HP3014	HP5014
	Saddle (Solid Serrated)	(A)	HP2026	HP3026	HP5026
2	Stop Ring	1	B497.044	B498.044	B499.044
3	Spring	1	B280.110	B289.110	B302.110
4	Plunger	1	B500.040	B501.040	B502.040
5	Backup Ring	2	*	*	*
6	Packing	1	*	*	*
7	Backup Ring	2	*	*	*
8	Packing	1	*	*	*
9	Cylinder	1	(B)	(B)	(B)
10	Half Coupler	1	AR400	AR400	AR400
	High-Flow Half Coupler	(C)	CR400	CR400	CR400
11	Dust Cap for AR400	1	Z410-1	Z410-1	Z410-1
	Dust Cap for CR400	1	CD410	CD410	CD410
	Special Pipe Plug	(D)	C768.245	C768.245	C768.245
	Decal	1	*	*	*
	Cylinder Packing Kit (Includes * Items)		RC20K	RC30K	RC60K

(A) Optional Attachments - Order through nearest ENERPAC Distributor  
 (B) Cylinder Bases are not available as replacement parts  
 (C) High-Flow Half Coupler now standard on all these cylinders.  
 (D) RC-20T, RC-30T and RC-60T ONLY

T E C H N I C A L P A R T S  
 RC-20, 20T, 30, 30T, 60, 60T

**NOTE:** Orders for parts cannot be filled unless both model and serial number with prefix imprinted on nameplate are given.

<p><b>FRANCHISED SERVICE DEPOTS</b></p>  <p>For quality workmanship and genuine Enerpac parts select a Franchised Blackhawk Service Depot for your repair work. Only repairs performed by a Franchised Service Depot displaying this official sign are backed with full factory guarantee. The Classified Section in your Phone Book lists your nearest Franchised Service Depot.</p>	<p><b>GUARANTEE</b></p> <p>Enerpac guarantees its Products against defects in workmanship and materials for 90 days from date of delivery to the user. Only exception is chain, which follows the trade custom of its manufacturers and cannot be guaranteed. When question of warranty arises, the user should send his unit to the nearest Franchised Service Depot for inspection, transportation to be prepaid and evidence of delivery date furnished. If the difficulty comes under the terms of our guarantee, the Franchised Service Depot will repair or replace parts affected and return prepaid. Our guarantee does not cover ordinary wear and tear, abuse, misuse, overloading, altered products or use of improper fluid.</p>
--	--

PARTS, SERVICE INFORMATION AND THE ADMINISTRATION OF FRANCHISED SERVICE DEPOTS FOR ENERPAC PRODUCTS IS PROVIDED BY —

## BLACKHAWK SERVICE

MILWAUKEE, WISCONSIN 53246

DIVISION OF APPLIED POWER INDUSTRIES, INC.

Please direct all Service Correspondence to BLACKHAWK SERVICE

© Applied Power Industries, Inc. 1969

L-276 Pn