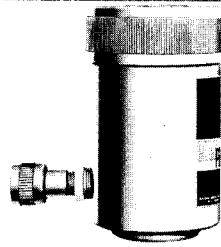


ENERPAC[®]

HYDRAULIC TOOLS FOR INDUSTRY

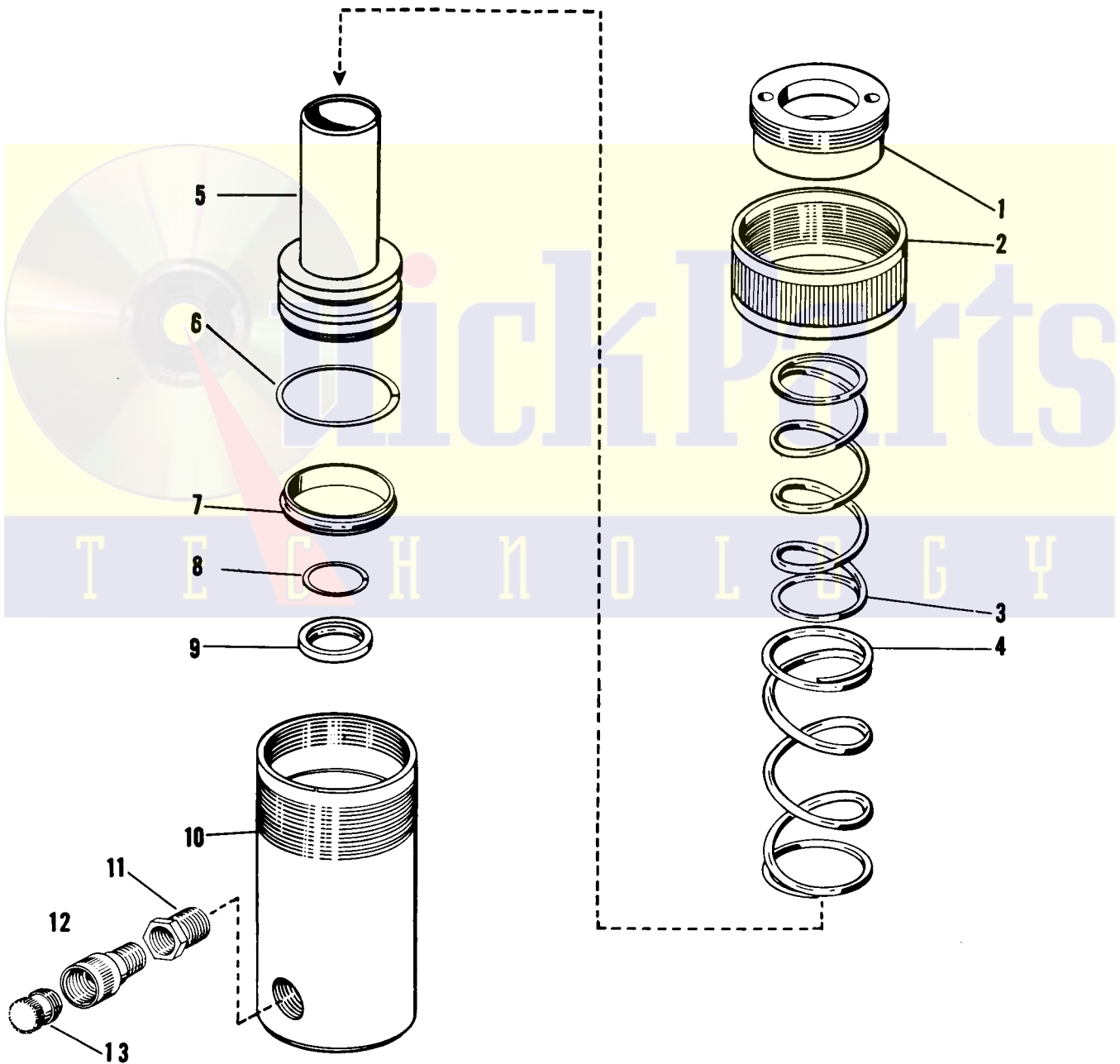
REPAIR PARTS SHEET



MODEL RC-112

APRIL, 1964

Rated Capacity - - - 12 Tons
Plunger Stroke - - 1 1/8 Inches



TO PROTECT YOUR WARRANTY, USE ONLY ENERPAC HYDRAULIC OIL.

PARTS LIST FOR MODEL RC-112

Item No.	Part No.	Part Name	No. Req.
1	B47.035	Stop Nut	1
2	B35.271	Thread Protector	1
3	B43.110 <i>dk</i>	Spring	1
4	B46.110 <i>no 4397110</i>	Spring	1
5	B45.040	Plunger	1
*6	B58.562	Leather Packing	1
*7	B39.504	Quad Ring	1
*8	B53.562	Leather Packing	1
*9	B38.504	Quad Ring	1
10	B44.030	Cylinder	1
11	FZ1630	Bushing	1
12	AR630	Half Coupler	1
13	Z640	Dust Cap	1
	C14.026	Name Plate	1
	AJ100.001	Drive Screw	2
	C53.026	Decal "Identification"	1
	Z435-4	Patent Transfer	1
	C389.026	Decal "Blackhawk"	1

* For economy repair, use Jack/Saver Kit R112K.
Items included in this kit are marked with asterisk.

NOTE: Orders for parts cannot be filled unless both model and serial number with prefix imprinted on nameplate are given.

FRANCHISED SERVICE DEPOTS



For quality workmanship with genuine Enerpac parts select a Franchised Blackhawk Service Depot for your repair work. Only repairs performed by a Franchised Service Depot displaying this official sign are backed with full factory guarantee. The Classified Section in your Phone Book lists your nearest Franchised Service Depot.

GUARANTEE

Enerpac guarantees its Products against defects in workmanship and materials for 90 days from date of delivery to the user. Only exception is chain, which follows the trade custom of its manufacturers and cannot be guaranteed.

When question of warranty arises, the user should send his unit to the nearest Franchised Service Depot for inspection, transportation to be prepaid and evidence of delivery date furnished.

If the difficulty comes under the terms of our guarantee, the Franchised Service Depot will repair or replace parts affected and return prepaid. Our guarantee does not cover ordinary wear and tear, abuse, misuse, overloading, altered products or use of improper fluid.

PARTS, SERVICE INFORMATION AND THE ADMINISTRATION OF FRANCHISED SERVICE DEPOTS FOR ENERPAC PRODUCTS IS PROVIDED BY —

BLACKHAWK SERVICE

MILWAUKEE, WISCONSIN 53246

DIVISION OF APPLIED POWER  INDUSTRIES, INC.

Please direct all Service Correspondence to BLACKHAWK SERVICE