

ENERPAC

A UNIT OF APPLIED POWER INC. 

Repair Parts Sheet

RC-504 Hydraulic Cylinder

L-872
REV A
02/92
PC4310

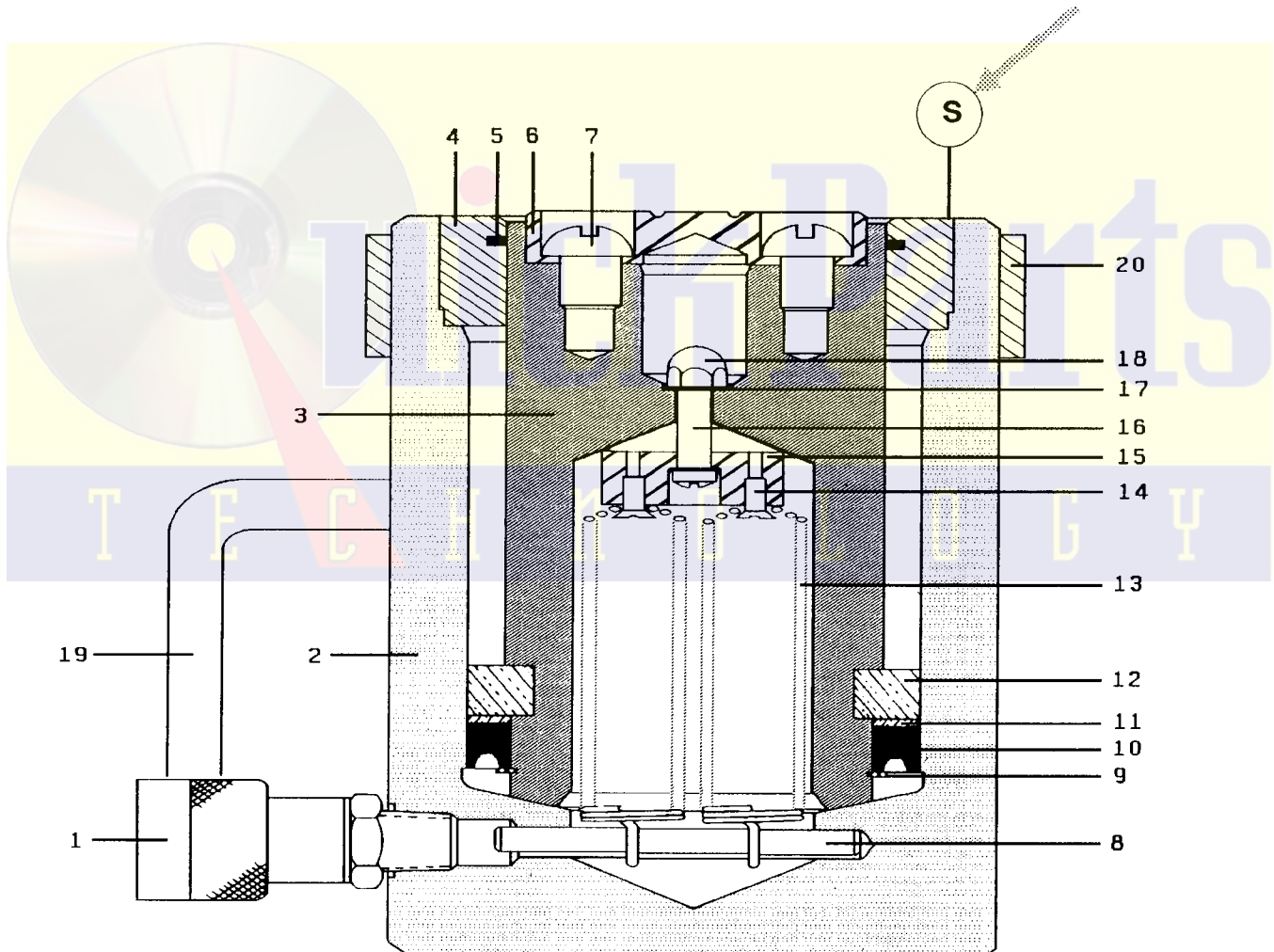
SERIAL NUMBERS THAT BEGIN WITH "A".

CAUTION

NOTE: Install Item 11 with chamfered edge toward Item 12 and square edge toward Item 10.

NOTE: Apply Loctite 222 screw lock to Item 16.

Indicates staked threads. Stake mark must be removed prior to disassembly. Failure to do so may result in damage to parts. Restake after test of repaired cylinder.



50 TON, SINGLE-ACTING, SOLID PLUNGER HYDRAULIC CYLINDER

TO PROTECT YOUR WARRANTY, USE ONLY ENERPAC HYDRAULIC OIL

RC-504 HYDRAULIC CYLINDER REPAIR PARTS LIST

Item No.	Part Number	Quantity	Description
1	CR-400	1	Coupler
2	DA2520030	1	Cylinder Base
3	CH170040	1	Plunger
4	Y193044	1	Stop Ring
5	★ G732044	1	Wiper Ring
6	L345045	1	Saddle
7	L661028	2	Machine Screw
8	B1161057	1	Spring Pin
9	★ L339044	1	Retaining Ring
10	★ CH792041	1	U-Cup
11	★ L343108	1	Washer
12	L341107	1	Rod Bearing
13	CB425110	2	Cylinder Spring
14	DA2286028	2	Screw
15	DA2285101	1	Spring Anchor Block
16	F958028	1	Screw
17	★ G834167	1	Gasket
18	G833055	1	Nut
19	CK571070	1	Handle Assembly
20	CL401271	1	Thread Protector
21	CD411	1	Dust Cap (not shown)

★ Items included in and available only as part of Repair Kit RC506K

<p>Australia Enerpac 29-31 O'Riordon Street Alexandria, N.S.W. 2015 Tel: (61) (2) 698-9955 Fax: (61) (2) 698-9664</p>	<p>Far East Enerpac 47 Jalan Pemimpin, #01-02 & 01-03 Sin Cheong Building Singapore 2057 Thomson Road P.O. Box 114 Singapore 9157 Tel: (65) 2581677 Telex: RS24882 APOWR Fax: (65) 2582847</p>	<p>Italy Enerpac Via Canova, 4 20094 Corsico Milano, Italy Tel: 02/458 2741 Telex: 352337 Fax: 39-2-48601288</p>	<p>Mexico Enerpac Blvd. Gral. Felipe Angeles 1604 P.O. Box 362 42080 Pachuca. Hidalgo Mexico Tel: (52) (771) 3-37-00 or (52) (771) 8-38-00 Telex: 17 55 15 Fax: (52) (771) 3-11-96 or (52) (771) 3-52-32</p>	<p>Spain Enerpac Calle de La Imprenta, 5 Poligono Industrial 28100 Alcobendas (Madrid) Spain Tel: (34) (91) 6523633 Telex: 22826 Fax: (34) (91) 6543927</p>
<p>Canada Enerpac 13000 West Silver Spring Drive Butler, Wisconsin 53007 (800) 426-4129 User (800) 426-2284 Distributor</p>	<p>France Enerpac B.P. 200 Parc d'Activités du Moulin de Massy 91882 Massy Cedex Tel: (331) 69 20 70 70 Telex: 60 09 51 Fax: (331) 69 20 37 50</p>	<p>Japan Enerpac 10-17 Sasame Kita-cho, Toda-Shi Saitama 335, Japan Tel: 0484-22-2251 (Administration Dept.) 0484-21-2311 (Sales Dept) Telex: 26275 Fax: 0484-22-0596</p>	<p>Netherlands, Belgium, Luxemburg Enerpac Storkstraat 25/P.O. Box 269 NL-3900 AG Veenendaal Tel: (31) (8385) 35911 Telex: 35381 Fax: (31) (8385) 25613/26645</p>	<p>United Kingdom Enerpac Leacon Road Ashford, Kent TN23 2TU England Tel: (44233) 639871 Telex: 96 64 50 Fax: (44233) 643923</p>
<p>Eastern Europe and Other European Countries, Middle East and Africa Enerpac 47, avenue Blanc P.O. Box 67 1211 Geneva 21, Switzerland Tel: (41) 731 94 05 Telex: 41 2843 Fax: (41) 731 12 15</p>	<p>Germany Enerpac Mündelheimer Weg 51 P.O. Box 300 113 D-4000 Düsseldorf 30 Tel: (49) (221) 41707-0 Telex: 8582790 Fax: (49) (211) 4170740</p>	<p>Latin America and Caribbean Enerpac 13000 West Silver Spring Drive Butler, Wisconsin 53007 Tel: (800) 558-0530 Fax: (414) 781-1049</p>	<p>South Korea Enerpac 163-12, Dodang-Dong, Choong-Ku, Buchun-Shi, Kyunggi-Do Republic of Korea Tel: (82) (32) 6560836/7 Fax: (82) (32) 6563002</p>	<p>United States Enerpac 13000 West Silver Spring Drive Butler, Wisconsin 53007 Tel: (800) 558-0530 Fax: (414) 781-1049</p>

REPAIR AND SERVICE INFORMATION: For repair service and parts, contact your nearest authorized ENERPAC Technical Service Center. The authorized ENERPAC Technical Service Center will provide complete and prompt service on all ENERPAC products. For the location of an ENERPAC Service Center, call **Toll Free 1-800-558-0530**. (In Canada call 1-800-426-2284)

WARRANTY INFORMATION: All warranty repairs must be performed by an authorized ENERPAC Technical Service Center. All ENERPAC tools are guaranteed from date of delivery to user against defects in workmanship and materials. Free repair or replacement will be made on all items not standing up to this guarantee. Following manufacturers trade custom, however, chains cannot be guaranteed. Warranty does not cover ordinary wear and tear, abuse or misuse, overloading, altered products or use of improper fluids. For prompt handling, send items requiring repairs prepaid, to your nearest authorized ENERPAC Technical Service Center.