

Master Copy

# ENERPAC®

## Instructions & Repair Parts

P-18, P-18-1

P-39, P-39-1

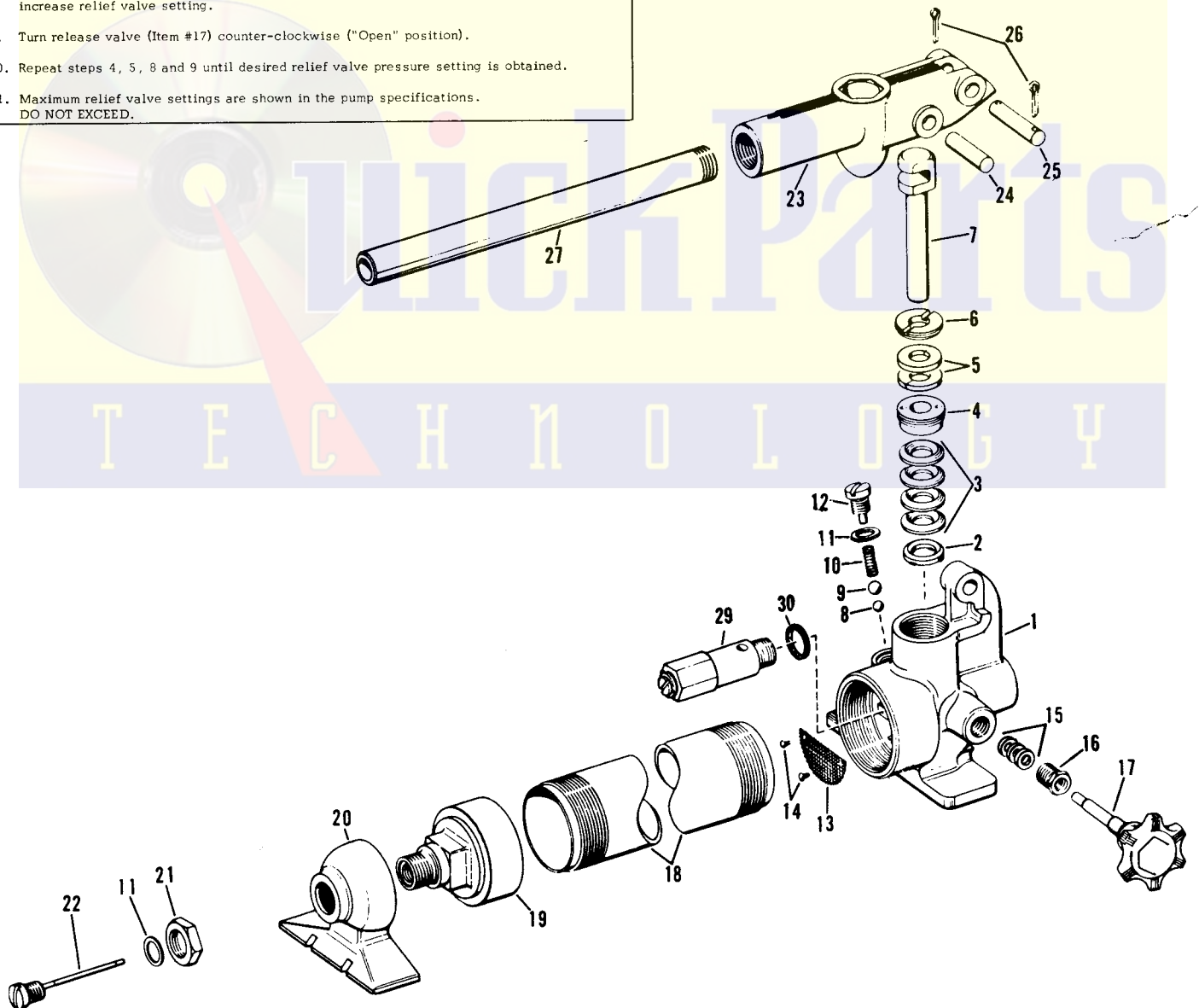
P-42, P-42-1

### RELIEF VALVE ADJUSTMENT - MODELS P-18 and P-42

1. Remove outlet pipe plug.
2. Install gage adaptor (P16.99) and gage (GP-10S).
3. Use pipe plug to block off oil flow from gage adaptor.
4. Turn release valve (Item #17) clockwise ("closed" position).
5. Operate pump handle until gage pointer reaches maximum reading (relief valve pressure setting).
6. Remove filler plug assembly (Item #22) and gasket (Item #11).
7. Insert long screw driver thru filler plug hole and engage adjusting screw in relief valve assembly (Item #29).  
NOTE: Some relief valves are equipped with 7/32" Allen set screw, instead of the slotted adjusting screw illustrated.
8. Turn adjusting screw counter-clockwise to reduce the relief valve setting; clockwise to increase relief valve setting.
9. Turn release valve (Item #17) counter-clockwise ("Open" position).
10. Repeat steps 4, 5, 8 and 9 until desired relief valve pressure setting is obtained.
11. Maximum relief valve settings are shown in the pump specifications.  
DO NOT EXCEED.

### MAXIMUM SPECIFICATIONS

	P-18	P-39	P-42
Operating Pressure	0 - 2850 PSI	0 - 10,000 PSI	0 - 10,000 PSI
Relief Valve Setting	2,850 PSI	None	10,000 PSI
Oil Volume per Stroke	.1595 cu. in.	.1595 cu. in.	.1595 cu. in.
Reservoir Capacity	22 cu. in.	43 cu. in.	43 cu. in.



TO PROTECT YOUR WARRANTY, USE ONLY ENERPAC HYDRAULIC OIL.

# PARTS LIST

P-18, P-39, P-42 Serial Numbers Begin with "O"  
 P-18-1, P-39-1, P-42-1 Serial Numbers Begin with "A"

Item No.	Description	No. Req'd.	Model Nos.		
			P-18, P-18-1	P-39, P-39-1	P-42, P-42-1
1	Base	1	B121.005-1	B107.005-1	B121.005-1
2	Spreader	1	S1.52-2	S1.52-2	S1.52-2
3	Cup	4	*	*	*
4	Nut	1	P16.55	P16.55	P16.55
5	Packing	3	*	*	*
6	Nut	1	P16.54	P16.54	P16.54
7	Plunger	1	<u>P16.51</u>	<u>P16.51</u>	<u>P16.51</u>
8	Ball	1	*	*	*
9	Ball	1	*	*	*
10	Spring	1	BA85.183	BA85.183	BA85.183
11	Gasket	2	*	*	*
12	Plug	1	CB9.185-2	CB9.185-2	CB9.185-2
13	Screen - SEE (A) BELOW	1	P16.18	P16.18	P16.18
14	Drive Screw	2	AJ100.001	AJ100.001	AJ100.001
15	Packing	3	*	*	*
16	Nut	1	MJ11-1	MJ11-1	MJ11-1
17	Release Valve Assembly	1	B109.900	B109.900	B109.900
18	Reservoir	1	B381.025	P16.25	P16.25
19	Cap	1	P75.266-1	P75.266-1	P75.266-1
20	Rest	1	P76.267-1	P76.267-1	P76.267-1
21	Nut	1	P75.181	P75.181	P75.181
22	Filler Plug Assembly	1	B110.900	B110.900	B110.900
23	Beam	1	B113.060-1	B113.060-1	B113.060-1
24	Pin	1	P75.57	P75.57	P75.57
25	Pin	1	P76.63	P76.63	P76.63
26	Pin	2	*	*	*
27	Handle	1	B382.070	B524.070	B524.070
29	By Pass Valve	1	P182.190-2	---	P182.190-2
30	Gasket	1	B159.167	---	B159.167
	Decal	1	*	*	*
	Handle Grip	1	C7.550	C7.550	C7.550
*	Pump Packing Kit		P39K	P39K	P39K
(A)	Use P307.18 Screen on all -1 Model Pumps (P-18-1, P-39-1, P-42-1). Drive screws (item #14) are not required.				

**NOTE:** Orders for parts cannot be filled unless both model and serial number with prefix imprinted on nameplate are given.

## PARTS AND SERVICE

For quality workmanship and genuine ENERPAC parts, select a Franchised ENERPAC Service Depot for your repair needs.

Only repairs performed by a Franchised Service Depot displaying the official ENERPAC Franchised sign are backed with full factory guarantee.

The Classified Section in your Phone Book lists your nearest Franchised Service Depot.

## GUARANTEE

ENERPAC guarantees its Products against defects in workmanship and materials for 90 days from date of delivery to the user. Only exception is chain, which follows the trade custom of its manufacturers and cannot be guaranteed.

When question of warranty arises, the user should send his unit to the nearest ENERPAC Franchised Service Depot for inspection, transportation to be prepaid and evidence of purchased date furnished.

If the difficulty comes under the terms of our guarantee, the Franchised Service Depot will repair or replace parts affected and return prepaid. Our guarantee does not cover ordinary wear and tear, abuse, misuse, overloading, altered products or use of improper fluid.

# ENERPAC®

AN APPLIED POWER  INDUSTRY