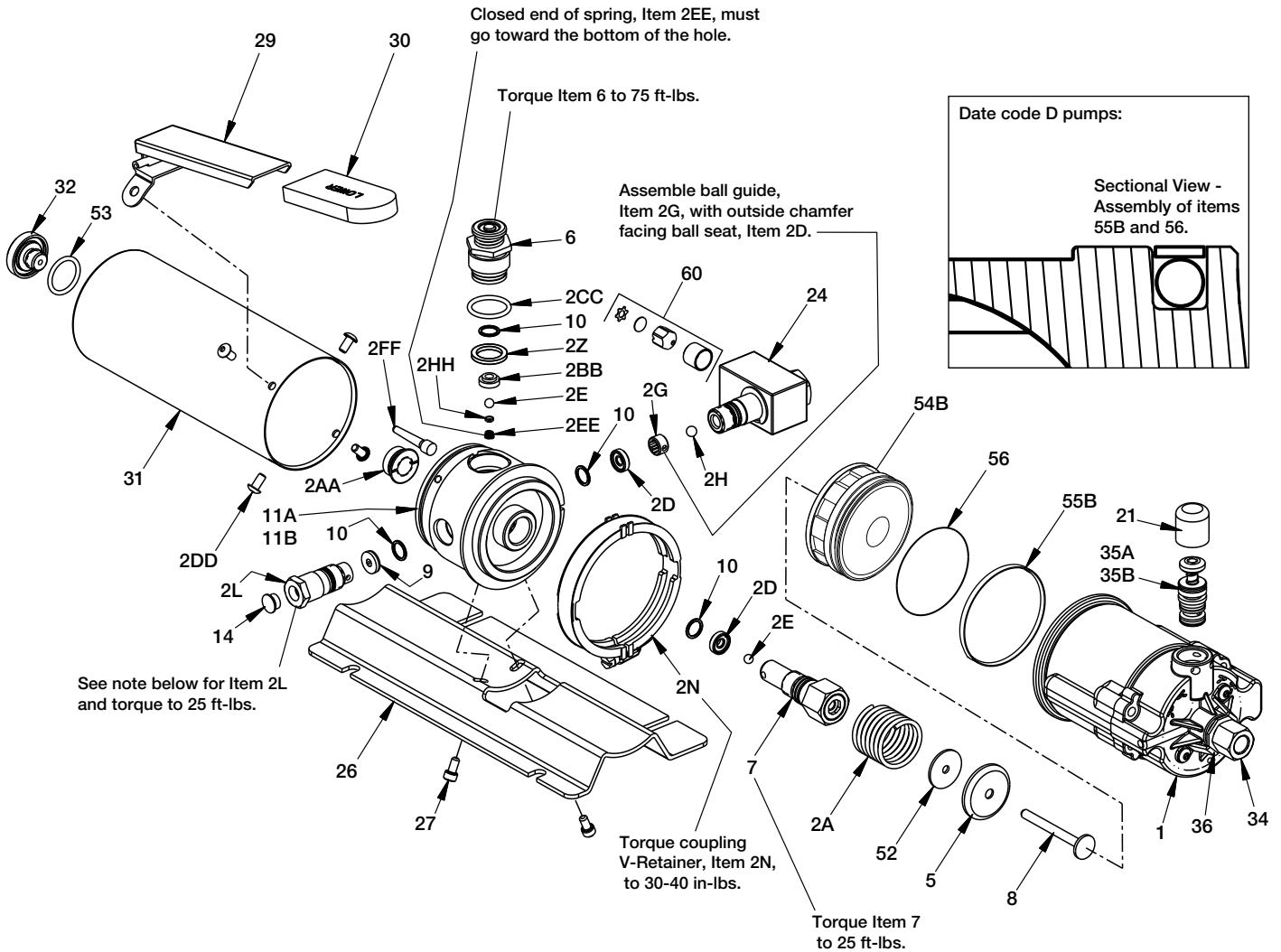


Air-Powered Hydraulic Pump

To insure optimum performance of the repaired pump,
Enerpac recommends that all kit parts be installed.
To Protect Your Warranty, Use Only ENERPAC Hydraulic Oil.

NOTE: Reservoir fill plug, Item 32, should be HAND TIGHTENED only. Do not use a pliers or wrench. Over-tightening will tear the reservoir bladder. Oil leaking out of the vent hole located at the rear of the reservoir is an indication of a torn bladder.



NOTE: Relief Valve, Item 2L, is factory set for maximum pressure according to pump model. DO NOT adjust to a higher pressure.

When setting the relief valve, it should only be adjusted up to the desired pressure setting. To adjust for a lower pressure than that set at the factory, back off the adjusting screw and then adjust up to the desired pressure.

*Pumps with date codes C4806C thru C0607C utilize a 90 degree elbow (U062486038) and tubing (U062486268) in conjunction with the filter (CB981018).

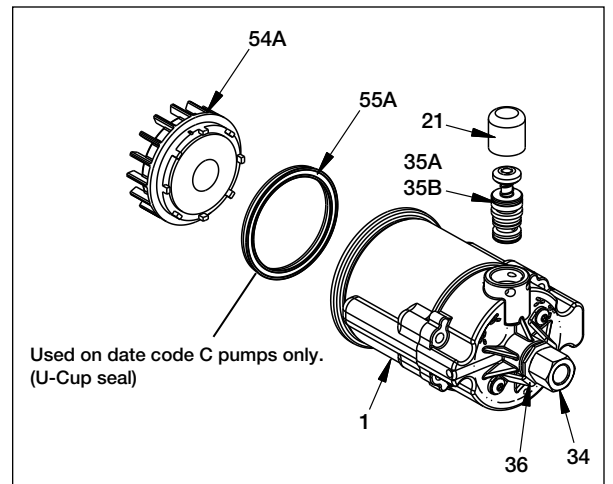


Figure 1, Main Assembly

All replacement air motors are pretested to insure proper performance.

Repair Parts List for Figure 1							
Item	Part Number	Qty.	Description	Item	Part Number	Qty.	Description
1	DA658900SR	1	Air Motor Assembly	24	CF692950W	1	Coupler Assembly (incl. items 2D, 2G, 2H, 10) See Fig 4.
2A	CH210110	1	Spring	26	CB108005SR	1	Base
2AA	CF669096	1	Back-up Washer	27	B1320028	2	Screw
2BB	★ CB581290	1	Ball Seat	29	DC1393070	1	Lever
2CC	★ B1118903	1	O-Ring	30	U962043098	1	Cover
2D	★ CH814290	2	Ball Seat	31	DA1353900SR	1	Reservoir and Bladder Assembly (Red)
2DD	CF318028	4	Cap Screw		U072141900SR	1	Reservoir and Bladder Assembly (Black)
2E	★ B1006016	2	Ball	32	CL164950SR	1	Reservoir Cap Assembly
2EE	★ DA5370110	1	Conical Spring	34	A8001018SR	1	Filter Kit
2FF	★ CB981018	1	Filter	35A	U062486900-1SR	1	Poppet Guide Assy (Models 61428E, 63334, and 63805)
2G	CH411013	1	Ball Guide	35B	DA348900SR	1	Poppet Guide Assy (Models 62259 and PA133U103)
2H	★ B1007016	1	Ball	36	CL163950SR1	1	Coupler Kit
2HH	DC1563013	1	Ball Guide	52	★ DA7095108	1	Rubber Washer
2L	CH202950SR	1	Relief Valve Assy. (incl. items 9, 10, 14) See Fig. 3.	53	★ B1252503	1	O-Ring
2N	DA2686299SR	1	Coupling V-Retainer	54A	(not available - see notes section at bottom of page)	1	Air Piston, old style (used on date code C pumps)
2Z	★ CL344167	1	Gasket	54B	CK354950SR	1	Air Piston, new style (used on date code D pumps incl. items 55B and 56)
5	A8009108SR	1	Washer (incl. items 2A, 8, 52)	55A	DA7154041	1	U-Cup seal (used on date code C pumps)
6	DA5290900SR1	1	Release Guide Assembly (incl. items 2BB, 2CC, 2EE, 2Z, 10) See Fig. 2.	55B	DC4120141	1	Glyd Ring (used on date code D pumps)
7	CH203950SR	1	Hydraulic Cylinder Assy. (incl. items 2D, 2E, 8,10) See Fig. 5.	56	DC4119703	1	O-Ring (used on date code D pumps)
8	CB180040	1	Plunger	60	U62486900SK	1	Flow Restrictor Assembly
9	★ CB576290	1	Ball Seat				
10	★ P20037	4	Gasket				
11A	U062486190	1	Hydraulic Body Assembly (Models 61248E, 63334, 63805)				
11B	CJ37950	1	Hydraulic Body Assembly (Models 62259, PA133U103)				
14	★ B161272	1	Plug				
21	U062486098	1	Boot (Models 61428E, 63334, and 63805 only)				

★ Indicates items included in and available only as part of PA133K3 Pump Repair Kit.

NOTES:

Date code C pumps only:

Old style air piston, item 54A, is not available as a replacement part.

If old style air piston, item 54A, needs replacement:

- Replace old style air piston, item 54A with new style air piston, item 54B.
- Install O-Ring, item 56 and Glyd Ring, item 55B.
- Discard U-Cup seal, item 55A. This part is not used with the new style air piston.

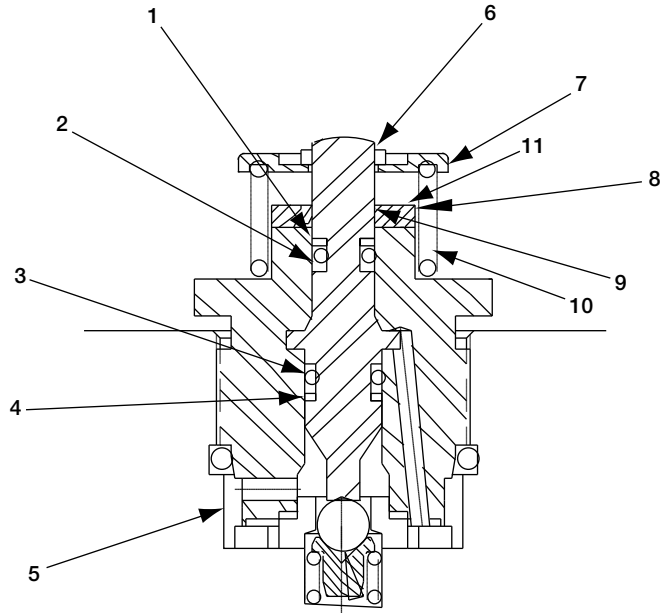


Figure 2, Release Guide Assembly

Repair Parts List for Figure 2			
Item	Part Number	Qty.	Description
1	★ B1006564	1	Back-Up Washer
2	★ B1001503	1	O-Ring
3	★ B1003503	1	O-Ring
4	★ B1008564	1	Back-Up Washer
5	DA5290900SR1	1	Release Guide Assembly
6	★ DA5025349	1	Retaining Ring
7	DA4848108	1	Spring Washer
8	★ DA4831020	1	Cap
9	DA4832040	1	Release Plunger
10	★ DA6971110	1	Spring
11	DC1515108	1	Washer
★ Indicates items included in and available only as part of Release Plunger Kit DA4832040KR. NOTE: Release Guide Assembly (DA5290900SR1) also include items 2BB, 2CC, 2E, 2EE, 2HH, 2Z and 10 from the Air Pump Assembly (Figure 1). NOTE: Repair Kit PA133K3 includes (1) DA4832040KR.			

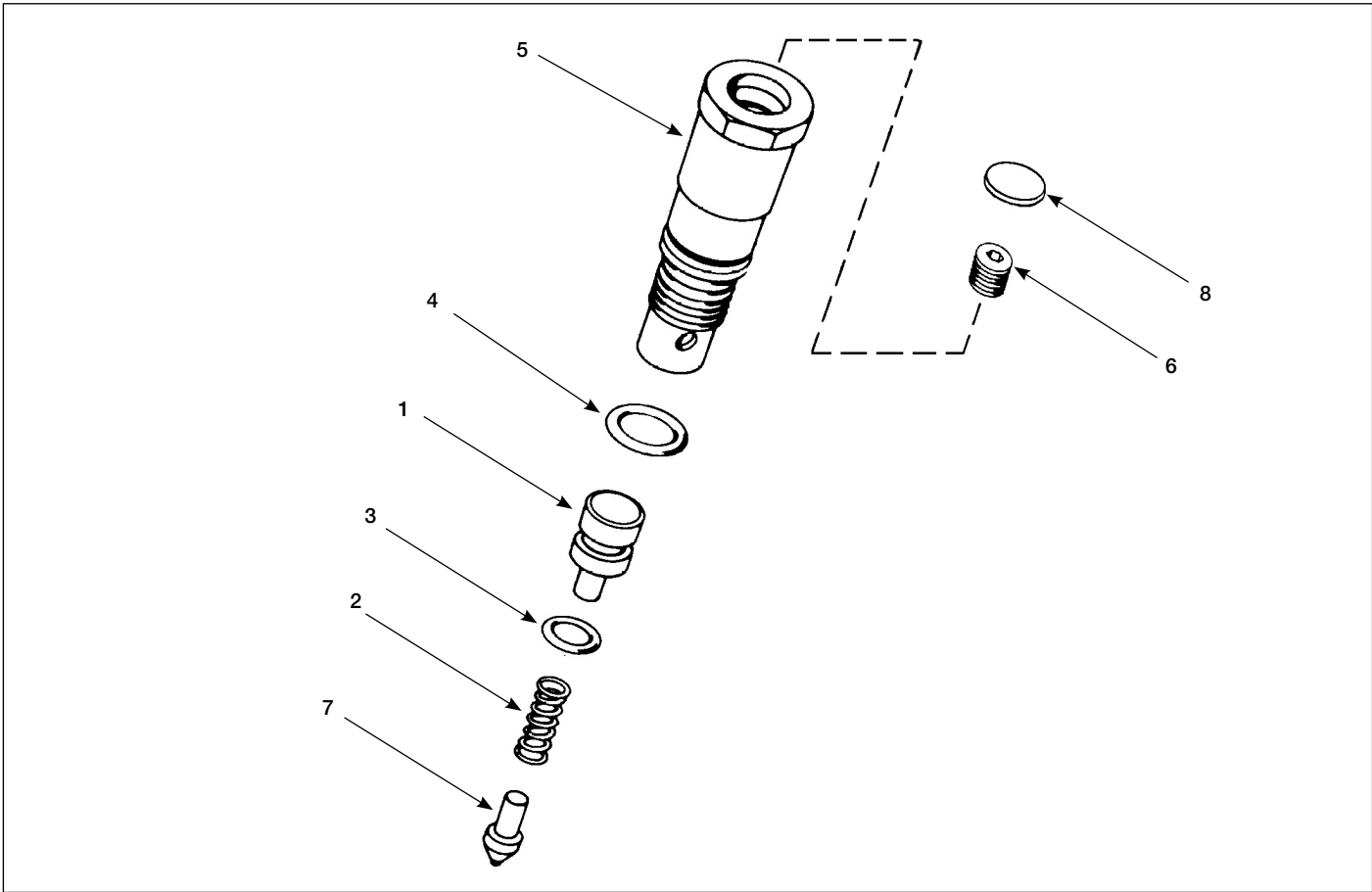


Figure 3, Relief Valve Assembly

Repair Parts List for Figure 3			
Item	Part Number	Qty.	Description
1	A8005007	1	Plug
2	★ A8038110	1	Spring (used on models 61428E & PA133U103 only)
	★ A8035110	1	Spring (used on models 613334, 63805 & 62259 only)
3	★ B1003503	1	O-Ring
4	★ B1220503	1	O-Ring
5	CH202950K	1	Release Valve Assy.
6	L86028	1	Set Screw
7	CH180950W	1	Ball Guide Assembly
8	★ B161272	1	Plug

★ Indicates items included in and available only as part of Relief Valve Repair Kit CH202950K.

NOTES:

- The Relief Valve Assembly and the Relief Valve Repair Kit includes Items 9 and 10 from the Air Pump Assembly, Figure 1.
- Relief Valve Repair Kit CH202950K contains two sizes of springs (item 2/2A). Use the spring from the kit that matches the spring removed from the relief valve.
- Repair Kit PA133K3 includes (1) CH202950K.
- Relief valve adjustments should only be performed by Authorized Enerpac Service Center utilizing prescribed procedures and proper test equipment.

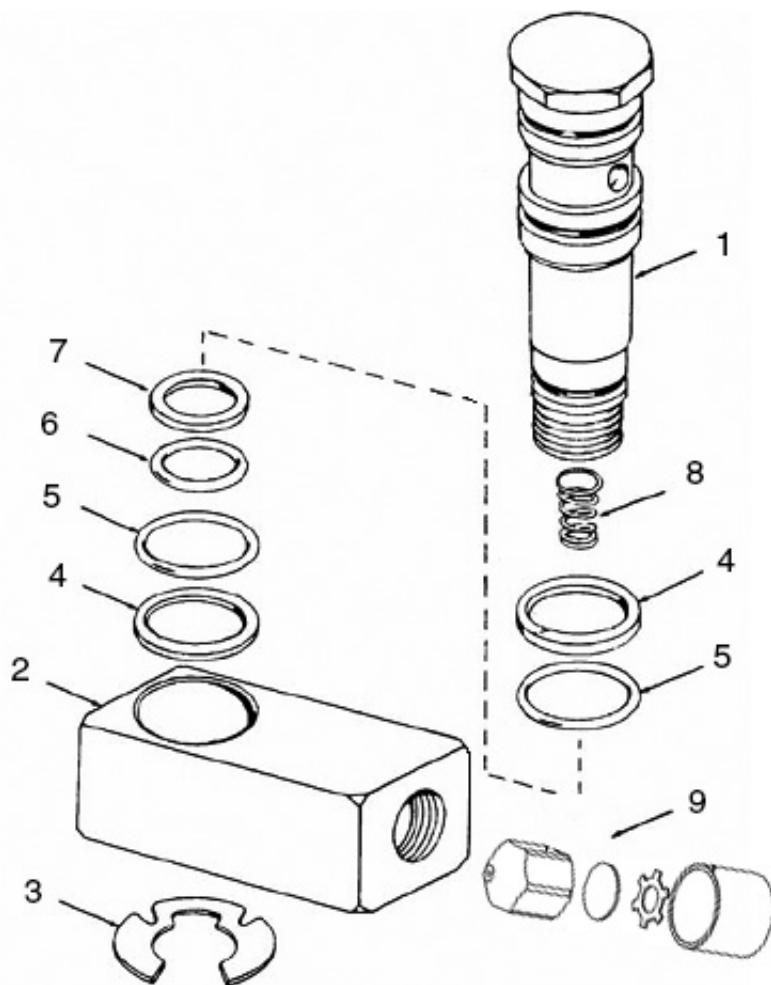


Figure 4
Swivel Coupler Assembly

Repair Parts List for Figure 4			
Item	Part Number	Qty.	Description
1	CJ205416	1	Coupler Stem
2	CJ204190	1	Coupler Body
3	★ CF874044	1	Retaining Ring
4	★ B1017565	2	Back-Up Washer
5	★ B1017903	2	O-Ring
6	★ B1220503	1	O-Ring
7	★ B1014565	1	Back-Up Washer
8	★ CA978110	1	Spring
9	U62486900SK	1	Flow Restrictor Assembly
<p>★ Indicates items included in and available only as part of Swivel Coupler Kit CF692950K1.</p> <p>NOTE: The Swivel Coupler Kit (CF692950K1) contains items 2D, 2H, and 10 from the Air Pump Assembly (Figure 1).</p> <p>NOTE: Repair Kit PA133K3 includes (1) CF692950K1.</p>			

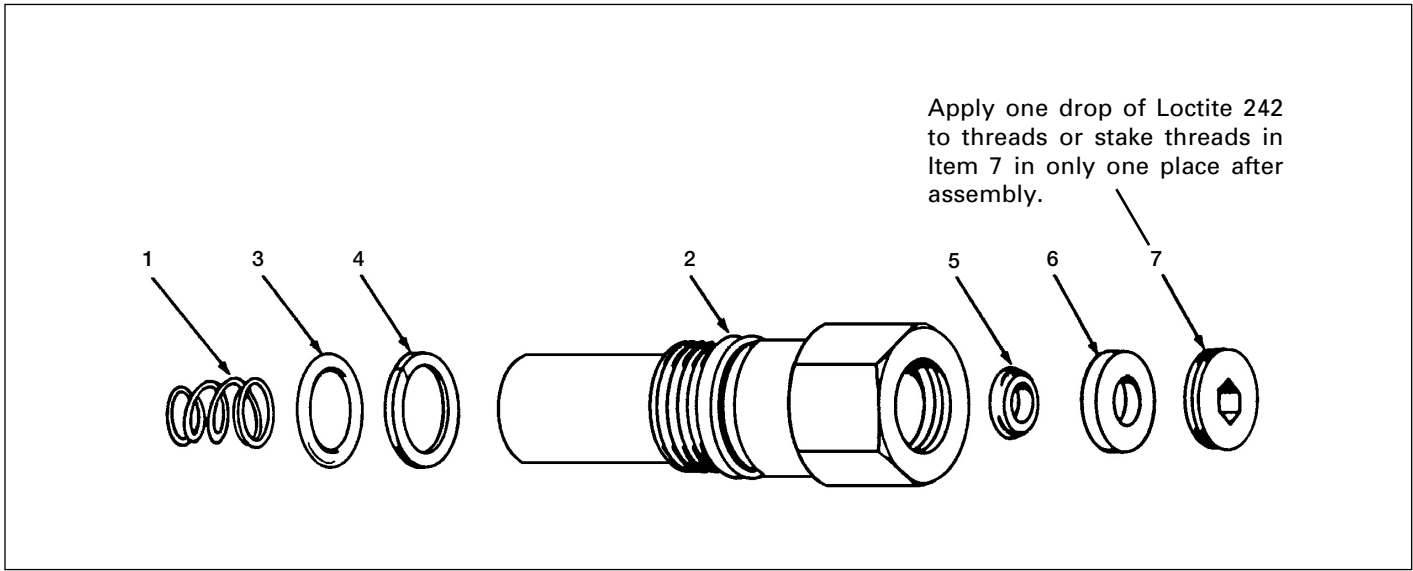


Figure 5, Hydraulic Cylinder Assembly

Repair Parts List for Figure 5			
Item	Part Number	Qty.	Description
1	★ CK53110	1	Spring
2	CH203950SR	1	Hydraulic Cylinder Assembly
3	★ B1221503	1	O-Ring
4	★ B1015565	1	Back-Up Washer
5	★ CB918041	1	U-Cup
6	★ CB624108	1	Back-Up Bearing
7	★ DA1204044	1	Bearing Retainer

★ Indicates items included in Hydraulic Cylinder Repair Kit HCRK1.

NOTES:

- The Hydraulic Cylinder Assembly and the Hydraulic Cylinder Repair Kit also includes Items 2D, 2E, 2FF and 10 from the Air Pump Assembly, Fig 1.
- HCRK1 is a universal kit and will service multiple hydraulic cylinders.
- Repair Kit PA133K3 includes (1) HCRK1.

Enerpac Worldwide Locations

◆ **e-mail:** info@enerpac.com

◆ **internet:** www.enerpac.com

Australia and New Zealand

Actuant Australia Ltd.
Block V Unit 3
Regents Park Estate
391 Park Road
Regents Park NSW 2143
(P.O. Box 261) Australia
T +61 (0)2 9743 8988
F +61 (0)2 9743 8648
sales-au@enerpac.com

Brazil

Power Packer do Brasil Ltda.
Rua Luiz Lawrie Reid, 548
09930-760 - Diadema (SP)
T +55 11 5687 2211
F +55 11 5686 5583
Toll Free: 0800 891 5770
vendasbrasil@enerpac.com

Canada

Actuant Canada Corporation
6615 Ordan Drive, Unit 14-15
Mississauga, Ontario L5T 1X2
T +1 905 564 5749
F +1 905 564 0305
Toll Free:
T +1 800 268 4987
F +1 800 461 2456
customer.service@actuant.com

China

Actuant (China) Industries Co. Ltd.
No.6 Nanjing East Road,
Taicang Economic Dep Zone
Jiangsu, China
T +86 0512 5328 7500
F +86 0512 5335 9690
Toll Free: +86 400 885 0369
sales-cn@enerpac.com

France, Switzerland, North Africa and French speaking African countries

ENERPAC
Une division d'ACTUANT France S.A.
ZA de Courtaboeuf
32, avenue de la Baltique
91140 VILLEBON /YVETTE
France
T +33 1 60 13 68 68
F +33 1 69 20 37 50
sales-fr@enerpac.com

Germany and Austria

ENERPAC GmbH
P.O. Box 300113
D-40401 Düsseldorf
Willstätterstrasse 13
D-40549 Düsseldorf, Germany
T +49 211 471 490
F +49 211 471 49 28
sales-de@enerpac.com

India

ENERPAC Hydraulics Pvt. Ltd.
No. 1A, Peenya Industrial Area
IInd Phase, Bangalore, 560 058, India
T +91 80 40 792 777
F +91 80 40 792 792
sales-in@enerpac.com

Italy

ENERPAC S.p.A.
Via Canova 4
20094 Corsico (Milano)
T +39 02 4861 111
F +39 02 4860 1288
sales-it@enerpac.com

Japan

Applied Power Japan LTD KK
Besshocho 85-7
Kita-ku, Saitama-shi 331-0821, Japan
T +81 48 662 4911
F +81 48 662 4955
sales-jp@enerpac.com

Middle East, Egypt and Libya

ENERPAC Middle East FZE
Office 423, LOB 15
P.O. Box 18004, Jebel Ali, Dubai
United Arab Emirates
T +971 (0)4 8872686
F +971 (0)4 8872687
sales-ua@enerpac.com

Russia

Rep. office Enerpac
Russian Federation
Admirala Makarova Street 8
125212 Moscow, Russia
T +7 495 98090 91
F +7 495 98090 92
sales-ru@enerpac.com

Southeast Asia, Hong Kong and Taiwan

Actuant Asia Pte Ltd.
83 Joo Koon Circle
Singapore 629109
T +65 68 63 0611
F +65 64 84 5669
Toll Free: +1800 363 7722
sales-sg@enerpac.com

South Korea

Actuant Korea Ltd.
3Ba 717, Shihwa Industrial Complex
Jungwang-Dong, Shihung-Shi,
Kyunggi-Do
Republic of Korea 429-450
T +82 31 434 4506
F +82 31 434 4507
sales-kr@enerpac.com

Spain and Portugal

ENERPAC SPAIN, S.L.
Avda. Los Frailes, 40 – Nave C & D
Pol. Ind. Los Frailes
28814 Daganzo de Arriba
(Madrid) Spain
T +34 91 884 86 06
F +34 91 884 86 11
sales-es@enerpac.com

Sweden, Denmark, Norway, Finland and Iceland

Enerpac Scandinavia AB
Fabriksgatan 7
412 50 Gothenburg
Sweden
T +46 (0) 31 799 0281
F +46 (0) 31 799 0010
scandinavianinquiries@enerpac.com

The Netherlands, Belgium, Luxembourg, Central and Eastern Europe, Baltic States, Greece, Turkey and CIS countries

ENERPAC B.V.
Galvanistraat 115
6716 AE Ede
6710 AB Ede
The Netherlands
T +31 318 535 911
F +31 318 535 848
sales-nl@enerpac.com

Enerpac Integrated Solutions B.V.

Opaalstraat 44
7554 TS Hengelo
P.O. Box 421
7550 AK Hengelo
The Netherlands
T +31 74 242 20 45
F +31 74 243 03 38
integratedsolutions@enerpac.com

South Africa and other English speaking African countries

Enerpac Africa Pty Ltd.
No. 5 Bauhinia Avenue
Cambridge Office Park
Block E
Highveld Techno Park
Centurion 0157
South Africa
T: +27 12 940 0656

United Kingdom and Ireland

ENERPAC Ltd.,
Bentley Road South
Darlaston, West Midlands
WS10 8LQ
England
T +44 (0)121 50 50 787
F +44 (0)121 50 50 799
sales-uk@enerpac.com

USA, Latin America and Caribbean

ENERPAC
P.O. Box 3241
Milwaukee WI 53201 USA
T +1 262 293 1600
F +1 262 293 7036
User inquiries:
T +1 800 433 2766
Distributor inquiries/orders:
T +1 800 558 0530
F +1 800 628 0490
Technical inquiries:
techservices@enerpac.com
sales-us@enerpac.com

All Enerpac products are guaranteed
against defects in workmanship and
materials for as long as you own them.

For the location of your nearest authorized
Enerpac Service Center, visit us at
www.enerpac.com

012313