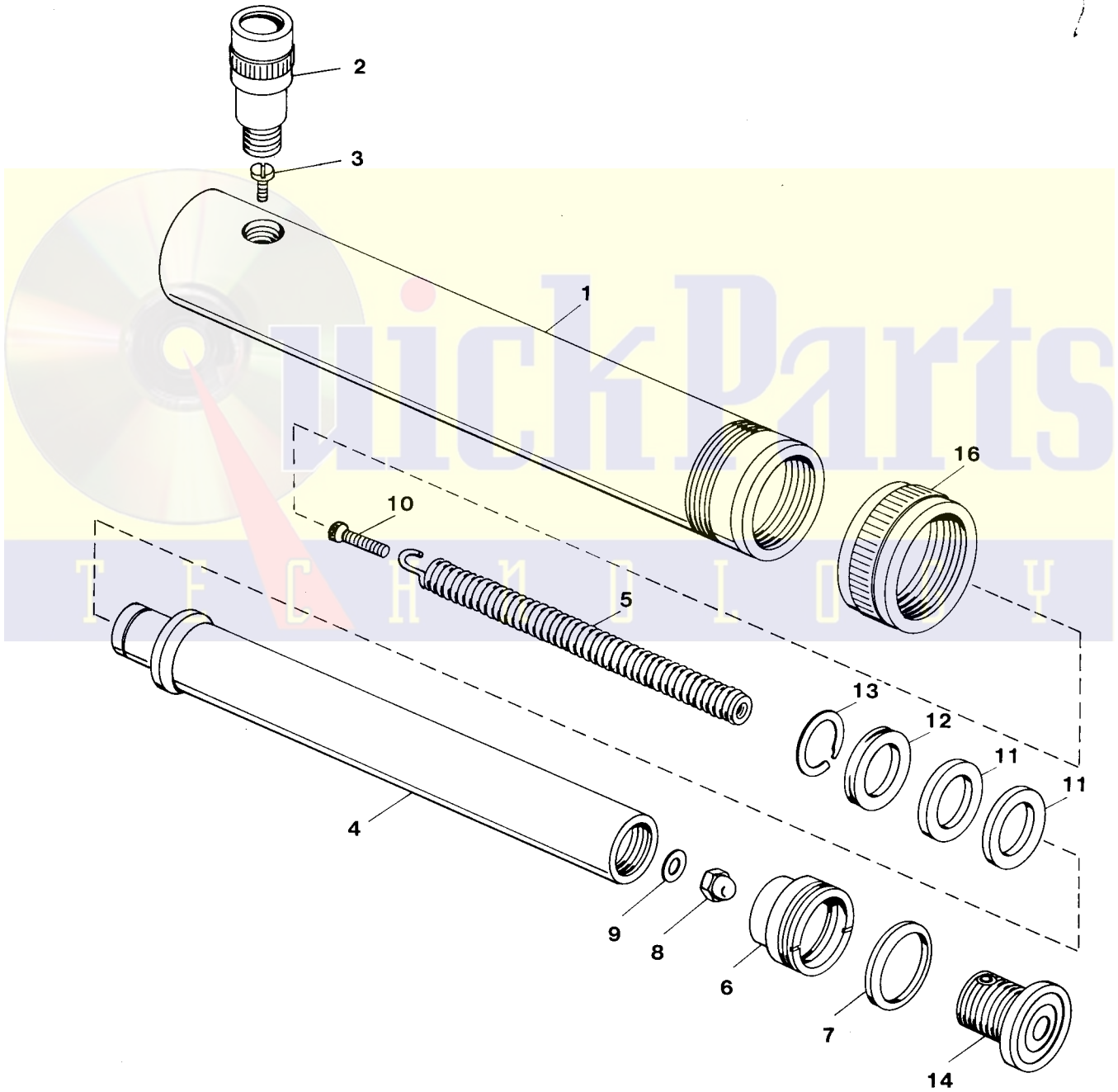


	RC-57	RC-59
Rated Capacity	5 Ton	5 Ton
Hydraulic Pressure	10,060 Max. P.S.I.	10,060 Max. P.S.I.
Plunger Stroke	7 Inch	9 Inch

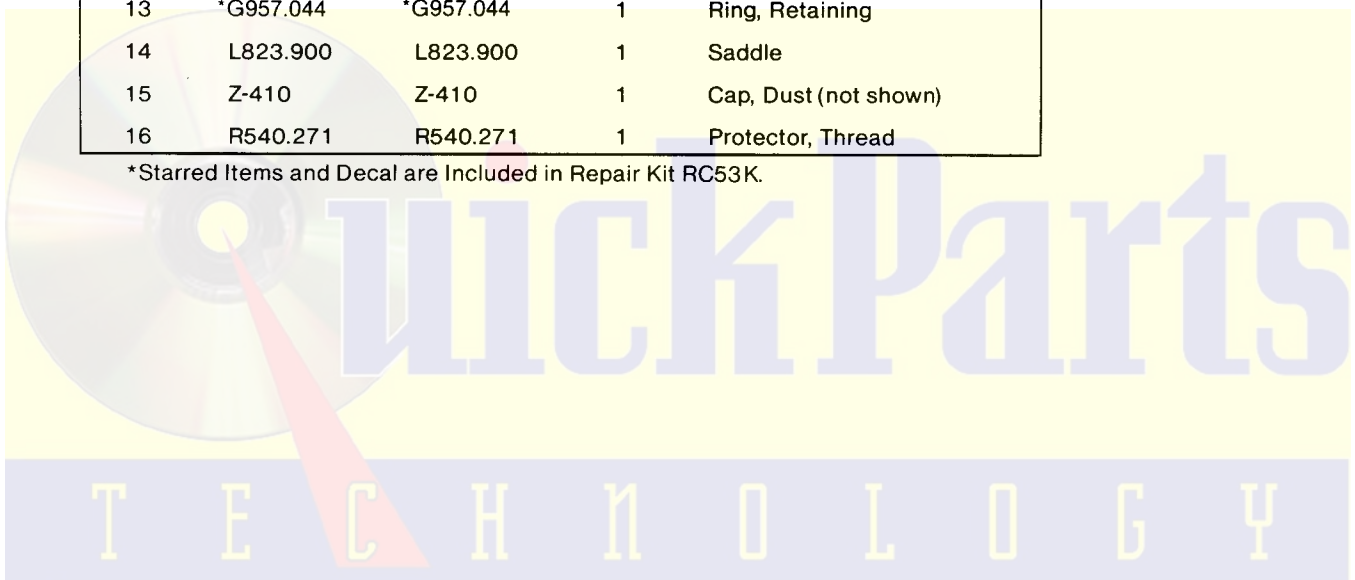


TO PROTECT YOUR WARRANTY, USE ONLY ENERPAC HYDRAULIC OIL.

PARTS LIST
Serial Numbers beginning with "0"

Item No.	Model No. RC-57	Model No. RC-59	No. Req'd	Description
1	CF486.030	CF487.030	1	Base
2	AR-400	AR-400	1	Coupling, Female Half
3	F755.138	F755.138	1	Screw
4	CF455.040	CF455.040	1	Plunger
5	CF452.110	CF453.110	1	Spring
6	F748.044	F748.044	1	Stop Ring, Bearing
7	*F540.044	*F540.044	1	Ring, Wiper
8	F747.055	*F747.055	1	Nut, Acorn
9	*W222.37	*W222.37	1	Gasket
10	B1326.028	B1326.028	1	Screw
11	G953.107	G953.107	2	Bearing, Rod
12	*CB765.041	*CB765.041	1	U-Cup
13	*G957.044	*G957.044	1	Ring, Retaining
14	L823.900	L823.900	1	Saddle
15	Z-410	Z-410	1	Cap, Dust (not shown)
16	R540.271	R540.271	1	Protector, Thread

*Starred Items and Decal are Included in Repair Kit RC53K.



REPAIR AND SERVICE INSTRUCTIONS: For repair service and parts contact your nearest ENERPAC Service Center. The ENERPAC Service Center will provide complete and prompt service on all ENERPAC products.

<p>PARTS AND SERVICE: For quality workmanship and genuine ENERPAC parts, select a Franchised ENERPAC Service Center for your repair needs. Only repairs performed by a Franchised Service Center displaying the official ENERPAC Franchised sign are backed with full factory warranty. The Classified Section in Your Phone Book lists your nearest Franchised Service Center.</p>	<p>WARRANTY: ENERPAC warrants its product against defects in workmanship and materials for 90 days from date of delivery to user. Chain is not warranted. Warranty does not cover ordinary wear and tear, abuse, misuse, overloading, altered products or use of improper fluid.</p>	<p>WARRANTY RETURN PROCEDURE: When question of warranty claim arises, the user should send his unit to the nearest ENERPAC Franchised Service Center for inspection, transportation to be prepaid and evidence of purchase date furnished. If the claim comes under the terms of our warranty, the Franchised Service Center will REPAIR OR REPLACE PARTS AFFECTED and return prepaid.</p>
--	---	---



ENERPAC, BUTLER, WISCONSIN 53007 DIVISION OF APPLIED POWER INC. TELEPHONE (414) 781-6600 TELEX 2-6682

PRINTED IN U.S.A. MARCAS REGS

L-1145 7/88