

Authorized Service Depots

AL	Birmingham	35222	Hydraulic Service Co., 3000 Fourth Ave. S., Box 31062
AK	Anchorage	99503	B & B Tool Supply Company, 2600 Seaward Highway
AR	Little Rock	72206	United Hydraulic, 1009 East Washington Street
CA	San Francisco	94103	Kimberly Brothers, 2300 South Hill Street
CO	Denver	80204	Automotive Tool Service, 859 Santa Fe Drive
CT	Stamford	06901	Hillier-Hydraulics, Inc., 724 Santa Fe Drive
DC	Washington	20001	H & L Eastern Hydr., Inc., 2777 S. Tejon
DE	Wilmington	19801	Wesco Sales & Service, 650 Marlowe Road
FL	Miami	33132	Broward Hydraulic Jack Service, 3907 S.W. 12th Court
GA	Atlanta	30303	Turner & Cole, 640 11th Street, N.W. at Northside Drive
HI	Honolulu	96813	Air & Hydraulic Service, 842 Lanikani Street
IA	Des Moines	50315	Stouland Hydraulic Service, 3011 Sixth Avenue
ID	Boise	83701	Wells Hydraulic & Equipment, 4444 Idaho Blvd.
IL	Chicago	60618	Servall Engineering Company, 3937-41 N. Kedzie Avenue
IN	Indianapolis	46202	Shop Equipment Service, 208 South Paul
KS	Topeka	66606	Shop Equipment Service, 208 South Paul
LA	New Orleans	70110	Magar's Air and Hydraulic Service, 4115 Meadow Lane
MA	Boston	02114	Magar's Air and Hydraulic Service, 4115 Meadow Lane
MD	Baltimore	21218	Baltimore Hydraulics, Inc., 708 East 25th Street
ME	Portland	04107	Winn's Jack Service, 23 Oakland Road
MI	Detroit	48208	Detroit Jack & Tool Service, Inc., 2287 Indiantale
MN	Minneapolis	55401	Hydraulic & Lifting, 2220 Raymond Drive
MO	St. Louis	63103	Back Hydraulic Jack Service, 714 East Lake Street
MS	Jackson	39208	Hydraulic Jack & Equip. Service Co., 2601 Aldrich Ave. S.
MT	Billings	59101	Hydraulic Jack Repair, 2402 Minnesota Avenue
NC	Charlotte	28203	Charlotte Hydraulic Service, 2036 S. Tryon St., P.O. Box 3252
ND	Fargo	58103	Hydraulic Service, 701 Third Avenue South
OH	Cleveland	44114	Ohio Hydraulic Jack Service, 3826 Payne Avenue
OK	Oklahoma City	73101	Hydraulic Equipment, 2423 East Admiral Blvd.
OR	Portland	97205	Les's Hydraulic Service, 2204 N. 61st Avenue
PA	Pittsburgh	15222	Hydraulic Equipment, 121 Putnam Street
RI	Providence	02902	Hydraulic Jack Service, 2121 Main Street
SC	Columbia	29208	Bebe Hydraulic Jack Service, 609 Derrymount Way
SD	Spearhead	57104	Hydraulic Jack Service, 910 West 10th Street
TN	Memphis	38103	Hydraulic Jack Service, 140 N. 14th Street
TX	Dallas	75226	Authorized Hydraulic Service, 812 Folk Street
UT	Salt Lake City	84115	Hydraulic Equipment Service, 1021 N. San Jacinto St.
VA	Richmond	23220	Hydraulic Equipment Service, 1021 N. San Jacinto St.
WA	Seattle	98106	Seattle Hydraulic Jack Repair, 151 West Commewalsh
WI	Madison	53703	Hydraulic Equipment Service, 1021 N. San Jacinto St.
WV	Charleston	25302	Hydraulic Equipment Service, 1021 N. San Jacinto St.
WY	Cheyenne	82001	Hydraulic Equipment Service, 1021 N. San Jacinto St.

The above list of authorized service depots are factory authorized to service our products. They check our original parts, kits, and units. When ordering, indicate jack model number and capacity and contact the nearest depot.

DO NOT ORDER FROM THE FACTORY  
AUTO SPECIALTIES MANUFACTURING COMPANY  
ST. JOSEPH, MICHIGAN, U.S.A. 49085

SS-02-1979



SS-716-B

MODELS

6-51122 (3 TON)	6-51125 (12 TON)
6-51123 (5 TON)	6-51126 (20 TON)
6-51124 (8 TON)	

1979

PROPER USE

- Center the cap under the load.
- Whenever possible have the jack lift in a perpendicular position. Lifting at an angle will place an excessive side strain on the ram.
- Do not push the load off the jack.
- Always use axle stands to support vehicle before making under-vehicle repairs.

OPERATING INSTRUCTIONS

- A. TO OPERATE**
- Open release valve and pump handle several times. This will eliminate any airbound condition that may have occurred during shipment.
  - Engage the slotted end of the handle with the head of the release screw.
  - Close release valve by turning to right.
  - Insert handle in handle socket and operate the pump.

**B. IF JACK WILL NOT OPERATE**

- Release valve may be open -- Turn to right to close.
- No oil in reservoir -- With jack in closed position, place in upright position and add Hydraulic Jack Oil through Filler Plug until oil is level with Filler Hole. DO NOT USE ALCOHOL, GLYCERINE, BRAKE FLUID, THICK OR DIRTY OIL.
- Intake and pressure valves may be held open by foreign matter -- Use operating instructions A-1.
- Jack will not operate on side -- Jack may have been placed on wrong side. The side to which the handle socket is attached must be down.
- Too much oil in reservoir -- Too much oil is liable to cause a vacuum bound jack. The oil should be brought to the level of the Filler Plug.

MAINTENANCE INSTRUCTIONS

- Release screw may be closed tight enough to raise
- Refill only with recommended Jack Oil. Never use a substitute.
- Use every precaution to prevent entrance of dirt when refilling jack.
- Store in upright position in a dry place.
- When stored, the ram should be lowered completely - the pump piston should be in lowest position and the release valve should be closed.

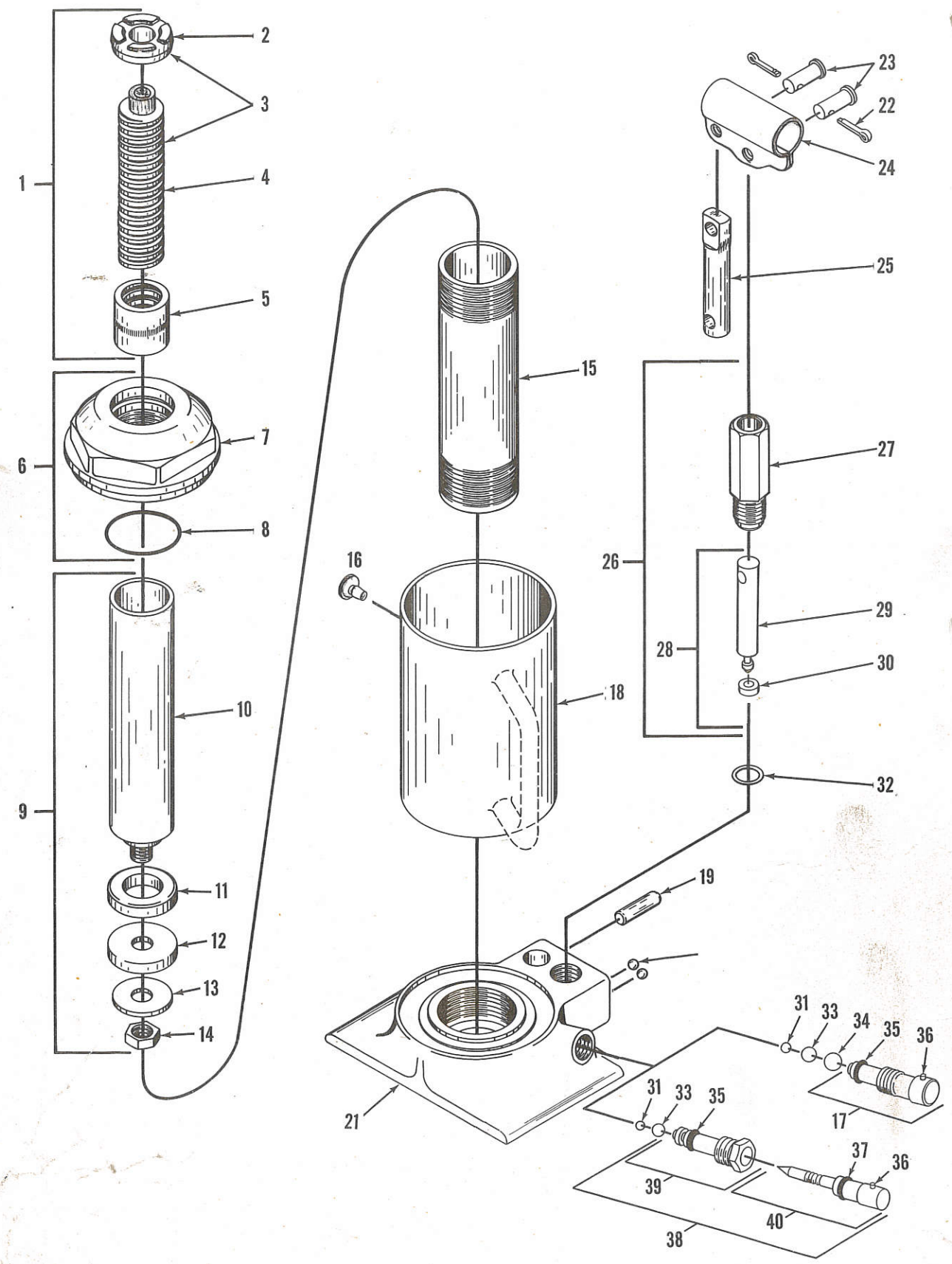
LUBRICATION INSTRUCTIONS

- Oil all moving parts periodically.
- Grease should be used on exposed parts if jacks are constantly used under wet conditions.



Hand # 4-50340

Small section 2-50339  
Large section 2-50338



ITEM NO.	NAME OF PART	3 TON 6-51122	5 TON 6-51123	8 TON 6-51124	12 TON 6-51125	20 TON 6-51126
1	Extension Screw Assembly	4-50644	19-12043	19-11899	19-11879	
2	Ram Head		10-11742	10-11883	10-11889	10-11757
3	Extension Screw & Head	2-50642				
4	Extension Screw		D-2428	10-11784	10-11801	
5	Extension Screw Bushing	D-2233	D-2433	D-2633	D-2933	
6	Reservoir Head Assembly	4-50516	4-50561	4-50563	4-50564	4-50565
7	Reservoir Head	2-50421	2-50426	2-50430	2-50431	2-50432
8	"O" Ring*	D-2099-17	2-50025	D-2099-25	D-2097-1	D-2097-3
9	Ram Assembly	4-50517	SA-2405	19-11897	SA-2805	19-11903
10	Ram	2-50412	D-2405	10-11783	D-2805	10-11779
11	Ram Spacer	D-2235B	D-2435A	D-2635A	D-2835A	D-3035A
12	Ram Cup*	D-2234A	2434A	D-2634A	D-2834A	D-3034A
12A	Back Up Washer**	D-2240				
13	Ram Cup Retainer	D-2236A	D-2436	D-2636	D-2836	D-3036
14	Ram Cup Nut	D-2237	D-2237	D-2637	D-2637	D-2637
15	Ram Cylinder	2-50411	D-2413	10-11782	D-2813	10-11802
16	Filler Plug	2-54029	2-54029	2-54029	2-54029	2-54029
17	Release Screw Assembly	4-50514	4-50514	4-50514	4-50514	
18	Reservoir	10-11774	10-11775	10-11776	19-11823	19-11822
19	Link Pin	D-2848A	D-2848A	D-2848A	D-2848A	D-3248
21	Base	2-50422	2-50425	10-11765	10-11766	10-11767
22	Cotter Pin (2)	D-2016	D-2016	D-2016	D-2016	D-2016
23	Handle, Socket Link Pin (2)*	10-12019	10-12019	10-12019	10-12019	10-12019
24	Handle Socket	10-11755	10-11755	10-11755	2-50829	2-50829
25	Piston Link	D-2547	D-2547	D-2547	D-2547	D-2547
26	Pump Assembly	4-50518	4-50518	4-50518	4-50518	4-50518
27	Pump Cylinder	2-50423	2-50423	2-50423	2-50423	2-50423
28	Piston Assembly*	4-54947	4-54947	4-54947	4-54947	4-54947
29	Pump Piston	2-54945	2-54945	2-54945	2-54945	2-54945
30	Piston Cup	10-11760	10-11760	10-11760	10-11760	10-11760
31	Valve Ball 7/32 Dia.*	D-2074	D-2074	D-2074	D-2074	D-2074
32	Piston Cylinder Washer*	D-2027	D-2027	D-2027	D-2027	D-2027
33	Valve Ball 5/16 Dia.*	D-2070	D-2070	D-2070	D-2070	D-2070
34	Valve Ball 13/32 Dia.*	D-2075	D-2075	D-2075	D-2075	D-2075
35	"O" Ring 5/16 x 7/16*	D-2099-6	D-2099-6	D-2099-6	D-2099-6	D-2099-6
36	Release Screw Pin	2-58745	2-58745	2-58745	2-58745	2-58745
37	"O" Ring (1/4 x 3/8)					D-2099-5
38	Release Screw Assembly					4-58754
39	Release Insert Sub-Assembly					4-58462
40	Release Screw Sub-Assembly					4-58460
	Label	2-50542	2-50543	2-50544	2-50545	2-50546
	Repair Kit	5-577	5-578	5-579	5-580	5-583

\* Denotes items in Repair Kit  
\*\* Not illustrated

**LIMITED WARRANTY**

The Manufacturer warrants its products against defective material and workmanship for 90 days from the date of original sale to the Buyer without charge provided that the equipment is shipped, transportation charges prepaid with proof of date of purchase, to the nearest Authorized Service Depot for inspection. (Do not return to the factory). The Consumer's remedies under this warranty are limited to repair or replacement of parts at the option of the Manufacturer and its designated Authorized Service Depot. This warranty does not cover units that have been altered or attachments added to them which are not recommended by the Manufacturer. Use hydraulic jack oil only; use of other fluids voids this warranty as does unreasonable or improper use, such as overloading, or any other abusive practice or accident.

The duration of any implied warranties arising under state law, including implied warranties or merchantability or fitness for any particular purpose, are expressly limited to the duration of this written warranty.

In the event that the goods sold hereunder are defective or fail to conform to this written warranty or any implied warranty, any recovery of consequential damages is expressly excluded, except as such exclusion is expressly prohibited by state law.

**AUTO SPECIALTIES MANUFACTURING COMPANY**  
ST. JOSEPH, MICHIGAN, U.S.A. 49085