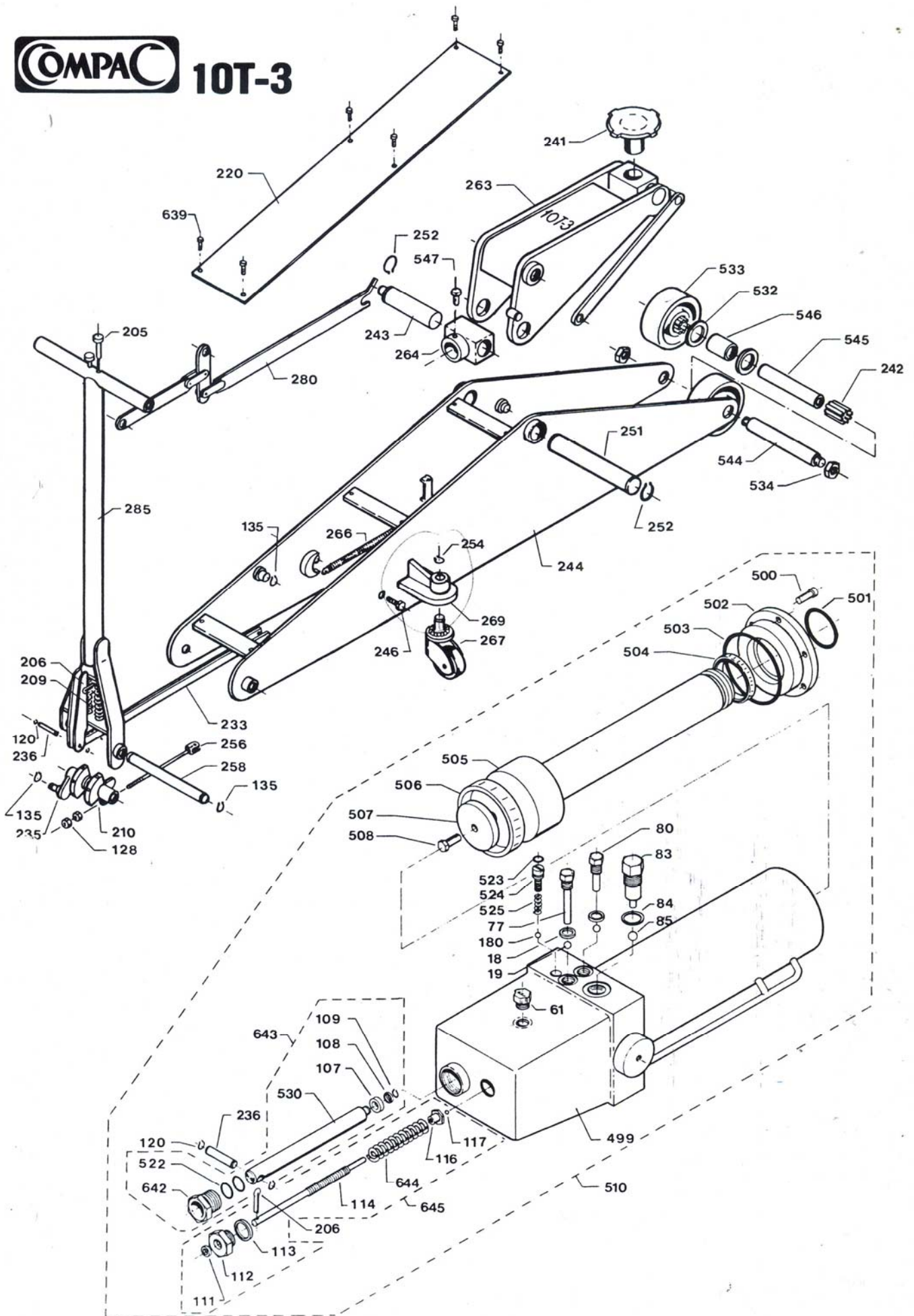


COMPAC 10T-3



10T-3

NO.	DANSK	DEUTSCH	ENGLISH	FRANCAIS
18	Kobberpakning	Kupferdichtung	Copper Washer	Garniture cuivre
19	Ventilkugle, 8 mm	Ventilkugel	Valve ball	Bille de clapet
61	Olieprop	Ölschraube	Oil plug	Bouchon
77	Ventilprop	Ventilschraube	Valve plug	Clapet de fermeture
80	Ventilprop	Ventilschraube	Valve plug	Clapet de fermeture
83	Ventilprop	Ventilschraube	Valve plug	Clapet de fermeture
84	Kobberpakning	Kupferdichtung	Copper washer	Garniture cuivre
85	Ventilkugle	Ventilkugel	Valve ball	Bille de clapet
107	Manchet	Manschette	Spacer	Bague
108	Messingring	Messingring	Brass ring	Rondelle en laiton
109	Lakning	Seegerring	Lock ring	Circlips
111	Simmerring	Simmerring	Simmerring	Rondelle Simmer
112	Pakdåse	Stopfbüchse	Stuffing box	Ecrou de piston
113	Pakning	Dichtung	Packing	Joint d'étanchéité
114	Returspindel	Ablasspindel	Return spindle	Pivot de retour
116	Møtrik	Mutter	Nut	Ecrou
117	Kugle, 4 mm	Kugel	Ball	Bille
120	Låsering, U10x1	Seegerring	Lock ring	Circlips
128	Møtrik, M6	Mutter	Nut	Ecrou
135	Låsering	Seegerring	Lock ring	Circlips
180	Kugle, 1/4"	Kugle	Ball	Bille
205	Palstang	Sperrstange	Pawl	Barre a cliquet
206	Split	Splint	Split pin	Goupille fendue
209	Fjeder	Feder	Spring	Ressort
210	Palhjul	Sperrad	Ratchet Wheel	Roue a cliquet
220	Dækplade	Schutzblech	Cover	Plaque de protection
233	Mellemled for pumpestempel	Zwischenglied f. Pumpenkolben	Intermediate joint f. pump piston	Biellette de manoeuvre
235	Palhjul	Sperrad	Ratchet Wheel	Roue a cliquet
236	Nagle	Bolzen	Shaft	Rivet
241	Saddel	Sattel	Saddle	Selle
242	Rulle	Rolle	Roller	Rigville
243	Aksel	Achse	Shaft	Axe
244	Chassis	Chassis	Chassis	Châssis
246	Skrue	Schraube	Screw	Vis
251	Løftearmsaksel	Achse	Shaft	Axe
252	Låsering	Seegerring	Lock ring	Circlips
254	Låsering	Seegerring	Lock ring	Circlips
256	Udløserstang	Auslösestange	Release lever	Galet de débrayage
258	Kørestangsaksel	Fahrtstangenachse	Shaft	Axe
263	Løftearm	Hubarm	Lifting arm	Levier de levage
264	Trykkbloks	Druckblock	Pressure block	Piece de pression
266	Fjeder	Feder	Spring	Ressort
267	Drejehjul, komplet	Schwenkrolle, komplet	Castor wheel, complete	Roue pivotante
269	Konsol	Lenkrolleausleger	Bracket	Support
280	Hurtigløfter, komplet	Schnellheber, komplet	Quick lift, complete	Levee rapide
285	Kørestang, komplet	Fahrtstange, komplet	Jack handle, complete	Levier de manoeuvre
499	Cylinder og pumpehus	Zylinder & Pumpengehäuse	Cylinder & pump housing	Cylindre & Corps de pompe
500	Skrue	Schraube	Screw	Vis
501	O-ring	O-ring	O-ring	Joint torique
502	Pakdåse	Stopfbüchse	Stuffing box	Ecrou de piston
503	Pakning	Dichtung	Packing	Joint d'étanchéité
504	Simmerring	Simmerring	Simmerring	Rondelle simmer
505	Stempel	Kolben	Piston	Piston
506	Manchet	Manschette	Sleeve	Bague
507	Udfyldningsskive	Scheibe	Washer	Disque
508	Bolt	Bolzen	Bolt	Boulon
510	Komplet aggregat	Aggregat, komplet	Complete aggregate	Agregat, complet
522	O-ring	O-Ring	O-ring	Joint torique
523	O-ring	O-Ring	O-ring	Joint torique
524	Bolt	Bolzen	Bolt	Boulon
525	Fjeder	Feder	Spring	Ressort
530	Pumpestempel	Pumpenkolben	Pump piston	Piston de pompe
532	Skive	Scheibe	Washer	Disque
533	Hjul	Rad	Wheel	Roue
534	Møtrik	Mutter	Nut	Ecrou
544	Aksel	Achse	Shaft	Axe
545	Bøsning	Büchse	Bushing	Bague
546	Bøsning	Büchse	Bushing	Bague
547	Skrue	Schraube	Screw	Vis
639	Skrue	Schraubel	Screw	Vis
642	Pakdåse	Stopfbüchse	Stuffing box	Joint d'étanchéité
643	Pumpestempel, komplet	Pumpenkolben, komplet	Pump piston, assembly compl.	Piston de pompe complet
644	Fjeder	Feder	Spring	Ressort
645	Returventil, komplet	Ablassventil, komplet	Return valve, assembly compl.	Clapet de retour complet
651	Chassis, 10T-3L	Chassis, 10T-3L	Chassis, 10T-3L	Châssis, 10T-3L
60015	Pakningssæt	Dichtungssatz	Seal kit	Jeu de joints