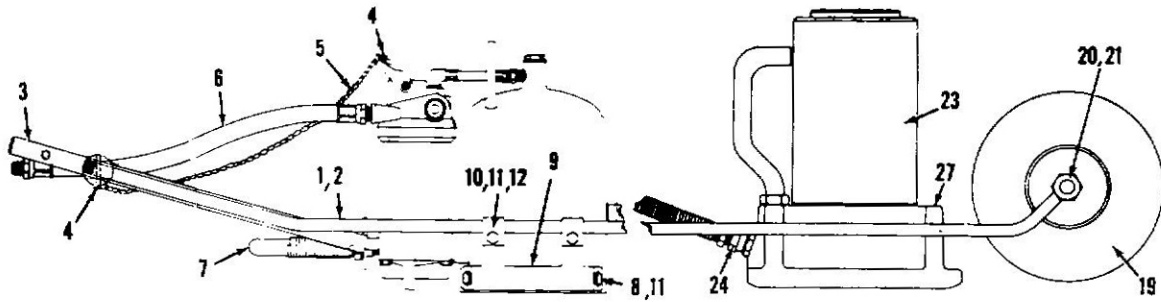


CP-705-50TC Model B



CART

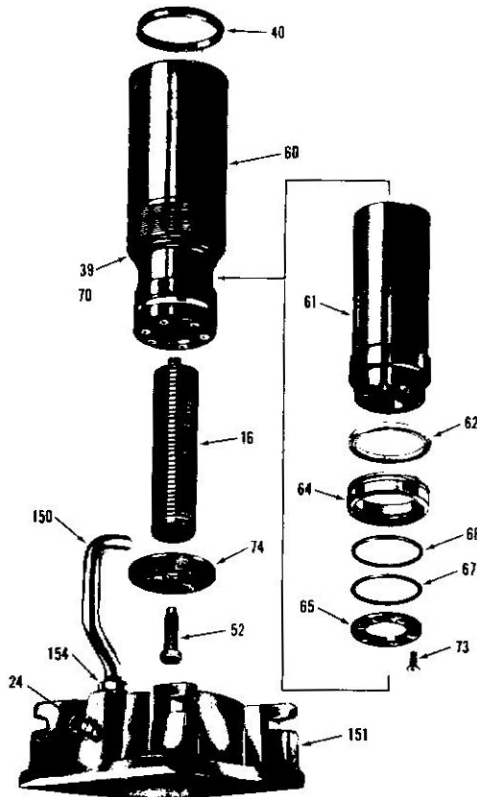


Index No.	CP Part No.	Description	No. Req'd.	Index No.	CP Part No.	Description	No. Req'd.
1	A-046136	Cart Frame Complete (Incl: Index No's. 2, 3, 4, 5, 6, 8, 9, 10, 11 & 12)	1	9	A-088267	Bracket (Cart to Pump)	2
2	A-048194	Frame-Cart (Incl: Index No's. 19, 20 & 21)	1	10	S-009438	Screw-Hex. Head Cap	4
3	A-087061	Rod-Release Extension	1	11	S-000271	Lockwasher	8
4	P-081360	Screw-Self Tapping	2	12	C-018515	Nut-Hex.	4
5	A-088271	Chain-Throttle Lever	1	19	A-041665	Wheel-Cart	1
6	CA-088140	Hose-Air	1	20	A-052371	Bolt-Hex. Head	1
7	A-078894	Hose-Hydraulic	1	21	A-052872	Locknut	1
8	P-004246	Screw-Hex. Head Cap	4	23		CP-50T Jack	1
				24	H-080721	Union-Swivel	1
				27	A-048197	Screw-Set (Not Shown)	1

CP-50T Model B



JACK



Index No.	CP Part No.	Description	No. Req'd.
16	A-046228	Spring Assembly	1
24	H-080721	Union-Swivel	1
39	A-048201	Ring-Back-Up	1
40	A-048202	Wiper-Rod	1
52	A-048210	Screw	1
60	A-048199	Cylinder	1
61	A-118883	Ram	1
62	A-118656	Packing- U Cup	1
64	A-118660	Piston	1
65	A-118659	Retainer-Piston	1
66	A-118657	Ring-Back-Up	1
67	A-118658	"O" Ring	1
70	A-048200	"O" Ring	1
73	H-018636	Screw	3
74	A-048206	Disc-Retainer	1
150	A-048198	Handle	1
151	A-048196	Base	1
154	P-089262	Nut-Jam	1

A-048203 Ram Assembly (Incl: Index No's. 61, 62, 64 thru 67 & 73)

All Threads Are Right Hand Unless Otherwise Specified.