

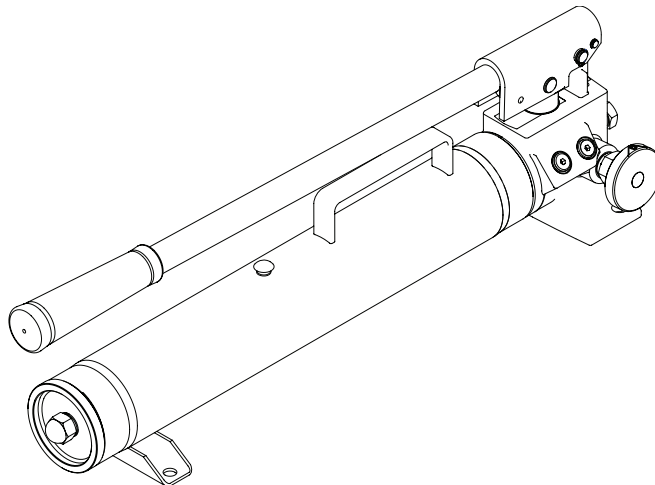


Hand Pump Instruction Manual

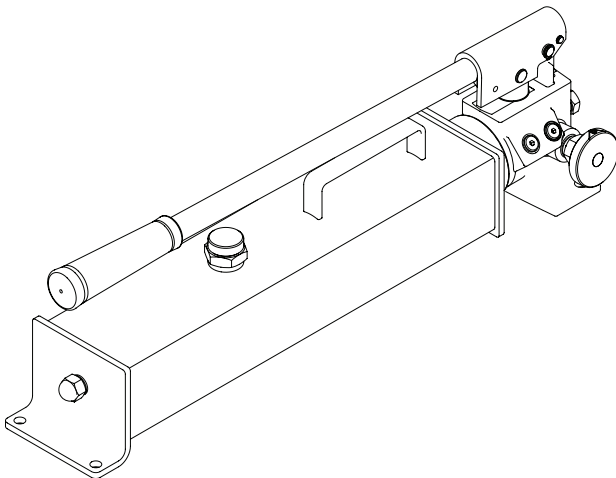
MODELS: P1201, P1201S, P2301, P2301M & P4301

SFA Companies 10939 N. Pomona Ave. Kansas City, MO 64153
Tel: 888-332-6419 * Fax: 816-891-6599
E-mail: sales@bvahydraulics.com Website: www.bvahydraulics.com

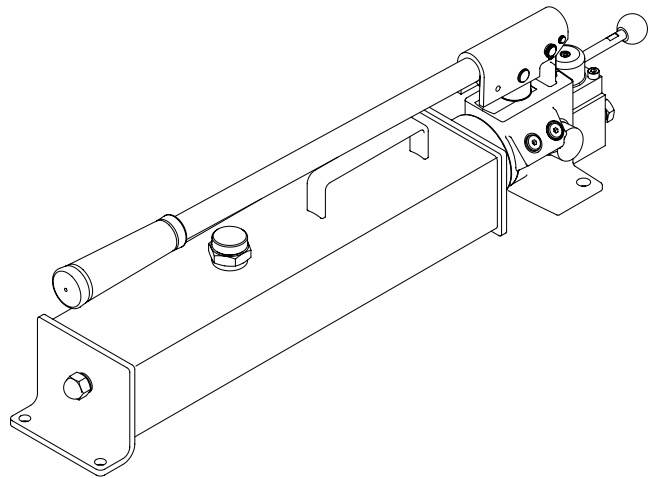
Maximum Operating Pressure 10,000 PSI



Models P1201 & P1201S



Models P2301 & P4301



Model P2301M



This is the safety alert symbol. It is used to alert you to potential personal injury hazards. Obey all safety messages that follow this symbol to avoid possible injury or death.

SAFETY AND GENERAL INFORMATION

Save these instructions. For your safety, read and understand the information contained within. The owner and operator shall have an understanding of this product and safe operating procedures before attempting to use this product. Instructions and safety information shall be conveyed in operator's native language before use of this product is authorized. Make certain that the operator thoroughly understands the inherent dangers associated with the use and misuse of the product. If any doubt exists as to the safe and proper use of this product as outlined in this factory authorized manual, remove from service immediately.

Inspect before each use. It is recommended that, prior to each use, an inspection be done by qualified personnel and that any missing or damaged parts, decals, warning/safety labels or signs be replaced with factory authorized replacement parts only. Any pump that appears to be damaged in any way, is worn, leaking or operates abnormally shall be removed from service immediately until such time as repairs can be made. Owners and operators of this equipment shall be aware that the use and subsequent repair of this equipment may require special training and knowledge.

PRODUCT DESCRIPTION

BVA Hydraulic Hand Pumps are engineered to meet most industrial standards for performance and safety. These pumps, P1201, P2301, P2301M, and P4301 have a unique two-stage hydraulic circuit which allows quick displacement of hydraulic fluid under no load conditions and easy pumping in loaded conditions. These lever operated pumps supply compressed hydraulic fluid to compatible applications i.e. rams, presses, spreaders, compactors and crimping machines, anywhere that 10,000 PSI of fluid pressure is needed. Special skill, knowledge and training may be required for a specific task and the product may not be suitable for all the jobs described above. Unsuitable applications would include applications that call for a device to move, level or support persons, animals, hazardous materials, mobile homes/dwellings in general, mirrors and/or plate glass, and/or to connect/secure hatches, components, etc. between bulkheads. The user must ultimately make the decision regarding suitability of the product for any given task and assume the responsibility of safety for himself/herself and others in the work area.

WARNING: Always check connections before using. Alteration of these products is strictly prohibited. Use only those adapters and attachments provided and approved by the manufacturer.

WARNING: To reduce the risk of personal injury and/or property damage, ensure that the rated working pressure of each pressurized attachment be equal to or greater than the rated working pressure developed by the hydraulic pump

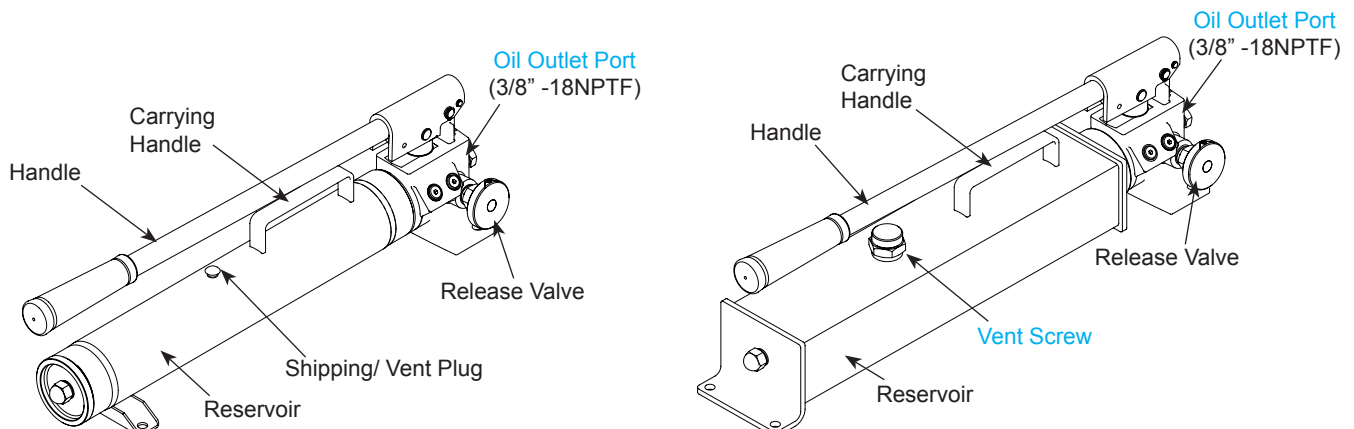


Figure 1 - Model P1201 & P1201S Components

Figure 2 - Models P2301 & P4301 Components

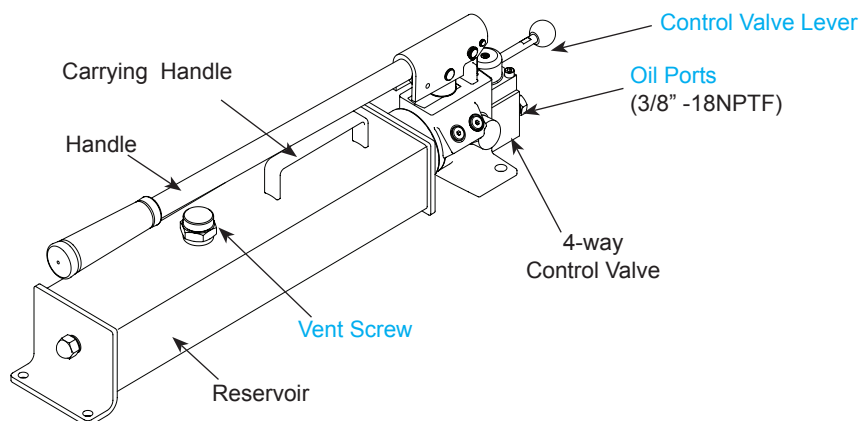


Figure 3 - Model P2301M Components

SPECIFICATIONS

Model	Usable Oil Capacity (in ³)	Pump Type	Pressure Rating (psi)		Oil Displacement per Stoke (in ³)		Operating Force (lbs)	Mounting Plate Holes Distance (in)	Pump Size (L x W x H)	Weight (lbs)
			1st stage	2nd stage	1st stage	2nd stage				
P1201S	67	Single speed				0.13	89	3.74	23.07" x 5.24" x 6.73"	20.0
P1201										
P2301	128	Two speed	200	10,000	0.81	0.14	99	3.54	23.98" x 5.31" x 6.81"	27.7
P2301M									27.44" x 4.72" x 6.81"	32.3
P4301	250							3.74	22.87" x 5.31" x 7.68"	37.6

⚠ WARNING



- Study, understand, and follow all instructions provided with and on this device before use.
- All WARNING statements must be carefully observed to help prevent personal injury.
- No alteration shall be made to this device.
- Always wear protective gear when operating hydraulic equipment.
- Keep hydraulic equipment away from flames and heat. Hydraulic fluid can ignite and burn. Do not operate if leaks are detected.
- **Crush Hazard.** Keep hands and feet away from loading area. Avoid pinch points or crush points that can be created by the load, cylinder, or any equipment of system.
- To avoid crushing and related injuries: NEVER work on, under or around a lifted load before it is properly supported by appropriate mechanical means. Never rely on hydraulic pressure alone to support load.

- Never attempt to disconnect hydraulic connections under pressure. Release all line pressure before disconnecting hoses.
- Use only approved accessories and approved hydraulic fluid.
- Never attach ANY component not authorized by manufacturer.
- Always ensure that the chosen application is stable to work on and around.
- Do not connect to application which can return more oil to the reservoir than the pump reservoir can hold.
- Do not connect pump to hydraulic system powered by another pump.
- This device is not suitable for use as support device! As the system load is lifted, use blocking and cribbing to guard against a falling load.
- All personnel must be clear before lowering load or depressurizing the system.
- Never try to disassemble a hydraulic cylinder, refer repairs to qualified, authorized personnel.

HYDRAULIC HOSES & FLUID TRANSMISSION LINES

HYDRAULIC PUMPS

- The user must be a qualified operator familiar with the correct operation, maintenance, and use of pumps. Lack of knowledge in any of these areas can lead to personal injury.
- Do not exceed rated capacity of the pump or any equipment in the system.
- Never attempt to lift a load weighing more than the capacity of the cylinder.
- Do not subject the pump and its components to shock loads.
- Burst hazard exists if hose or connection pressure exceeds rated pressure.
- Inspect pump, cylinder, hoses and connections before each use to prevent unsafe conditions from developing. Do not use if they are damaged, altered or in poor condition. Do not operate the system with bent or damaged coupler or damaged threads.
- Never hold or stand directly in line with any hydraulic connections while pressurizing.
- Use gauge or other load measuring instrument to verify load.

- Avoid short runs of straight line tubing. Straight line runs do not provide for expansion and contraction due to pressure and/or temperature changes.
- Reduce stress in tube lines. Long tubing runs should be supported by brackets or clips. Before operating the pump, tighten all hose connections with proper tools. Do not overtighten. Connections should only be tightened securely and leak-free. Overtightening can cause premature thread failure or high pressure fittings to burst.
- Should a hydraulic hose ever rupture, burst or need to be disconnected, immediately shut off the pump and release all pressure. Never attempt to grasp a leaking pressurized hose with your hands. The force of escaping hydraulic fluid can inflict injury.
- Do not subject the hose to potential hazard such as fire, sharp objects, extreme heat or cold, or heavy impact.
- Do not allow the hose to kink, twist, curl, crush, cut or bend so tightly that the fluid flow within the hose is blocked or reduced. Periodically inspect the hose for wear.
- Do not pull, position or move setup by the hose.
- Hose material and coupler seals must be compatible with hydraulic fluid used. Hoses also must not come in contact with corrosive materials such as battery acid, creosote-impregnated objects and wet paint. Never paint a coupler or hose.
- FAILURE TO HEED THESE WARNINGS MAY RESULT IN PERSONAL INJURY AS WELL AS PROPERTY DAMAGE.

BEFORE USE

1. Before using this product, read the instruction manual completely and familiarize yourself thoroughly with the product, its components and recognize the hazards associated with its use.
2. Verify that the product and the application are compatible. Inspect before each use. Do not use if bent, broken, leaking or damaged components are noted.
3. Replace worn or damaged parts and assemblies with BVA Hydraulics Authorized Replacement Parts only (See Replacement Parts Section). Lubricate as instructed in Maintenance Section.
4. Ensure method of confirming load is accurate and working properly. Have gauge or load cell accuracy verified by qualified personnel on a yearly basis.
5. Pumps should be stored where protected from the elements, abrasive dust, and damage. Pumps can be stored horizontally or vertically.

SET UP

⚠ WARNING: *The pump's maximum working pressure is 10,000 PSI. Make sure that all hydraulic equipment such as cylinders, hoses, couplers and etc. used with this pump are rated at 10,000 PSI operating pressure or more.*

1. Prepare the pump for use:
 - A) **For models P1201 & P1201S:**
Remove shipping plug and replace with a vent plug. Pull vent plug stem upward before use, press down when moving or storing the pump. (refer to Figure 4)
 - B) **For models P2301, P2301M & P4301:**
Turn the top cap of the vent screw counter-clockwise to open the vent. Turn the cap clockwise to close the vent screw when moving or storing. (refer to Figure 5)
2. Depressurize system by opening release valve counter-clockwise, but no more than 2 full turns. Then carefully remove the threaded plug on oil outlet port, and connect 3/8" NPTF hydraulic connection to oil outlet port, i.e. coupler, gauge adapter, hydraulic hose etc. Ensure all fluid ports and thread connections are clean before connect.

For model P2301M:

The pump comes with a 4-way valve to use with double acting cylinder. Connect two hoses: connect one hose from the pressure port of the pump to the pressure port of the cylinder; connect the other hose from the retract port of the pump to the retract port of the cylinder.

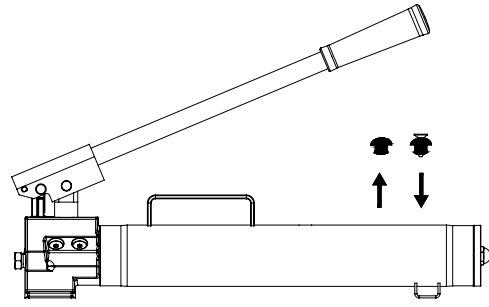
If using on single acting cylinder, the valve needs to be changed to 3-way valve. Consult with BVA Technical Service 888-332-6419

NOTICE: *Always secure threaded connections with non-hardening pipe thread compound. Take care not to introduce compound into port orifices. Tighten securely to prevent accidental removal of components while in use.*

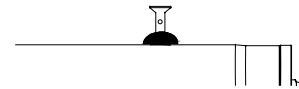
3. Install a pressure gauge in-line from the pump for better control and safety purpose.

NOTICE: *It is recommended to use BVA fittings, gauge adapter and gauge.*

4. Tighten securely to prevent accidental removal of components while in use.
5. Check for leaks in system and repair by qualified personnel as needed. Depressurize the hydraulic system before servicing.

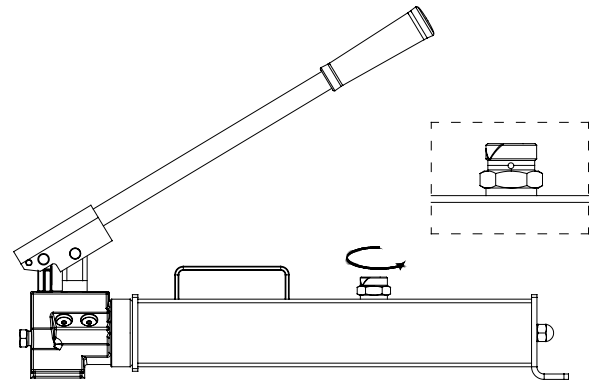


Remove shipping plug and replace with air vent plug (included) before initial use.



Pull stem upward before use, press down when moving or storing pump.

Figure 4 - Prepare to use Illustration for P1201 & P1201S



Turn the top cap counter-clockwise to open the vent before use.

Figure 5 - Prepare to use Illustration for P2301, P2301M & P4301

OPERATION

⚠ WARNING: ALWAYS monitor pressure, load or position using suitable equipment. Pressure may be monitored by means of an optional manifold and gauge (contact BVA Hydraulics). Load may be monitored by means of a load cell and digital indicator. Correct application position can only be determined by the operator of the equipment.

1. Remove the threaded plug, then connect the pump to suitable application.
2. Ensure the oil level is correct and the system fittings and connections are leak free before operating the pump.
3. Pump may be used in horizontal and vertical position as illustrated in Figure 6.

⚠ CAUTION: NEVER operate pump with release valve closed and disconnected from application. If operated in this condition, the hose and connections become pressurized. This increases burst hazard. Damage may occur to pump and its components

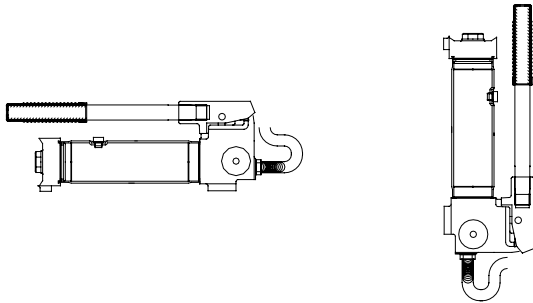


Figure 6 - Horizontal and Vertical Position

4. For models P1201, P1201S, P2301 & P4301:

- A. Close release valve by turning it clockwise. Finger tight ONLY. Using tools on release valve can damage it and cause the pump to malfunction.
- B. Pump handle until desired pressure, load or position is reached.
- C. Pressure will maintain until the release valve is opened.
- D. To retract application, turn the release valve knob slowly counterclockwise (never more that 2 full turns).

5. For model P2301M:

Use the control valve lever to control the direction of hydraulic oil flow, refer to Figure 7a. Pump Handle until desire pressure, load or position is reached.

⚠ WARNING: Operate double-acting cylinder only when both hoses are connected to the pump. If on coupler is left unconnected, high pressure will build behind the coupler which could cause personal injury and/or equipment damage.

NOTICE: To use with 3-way setting show in Figure 4b such as single acting cylinders, please have an authorized service center changes the valve to 3-way valve. Consult BVA Hydraulics Technical Service 888-332-6419.

6. Excludes model P1201S:

Under no load or 1st stage condition, the pump operates in high flow for rapid advance. When load is contacted, the pump will automatically shift to the 2nd stage for building pressure. When pump pressure reaches approximately 200 psi, you must momentarily stop pumping and raise the handle to shift to the high pressure stage. After the pump shifts, pumping takes less effort.

NOTICE: operate pump handle at slower speed during the high flow 1st stage to ensure the pump delivers maximum oil volume.

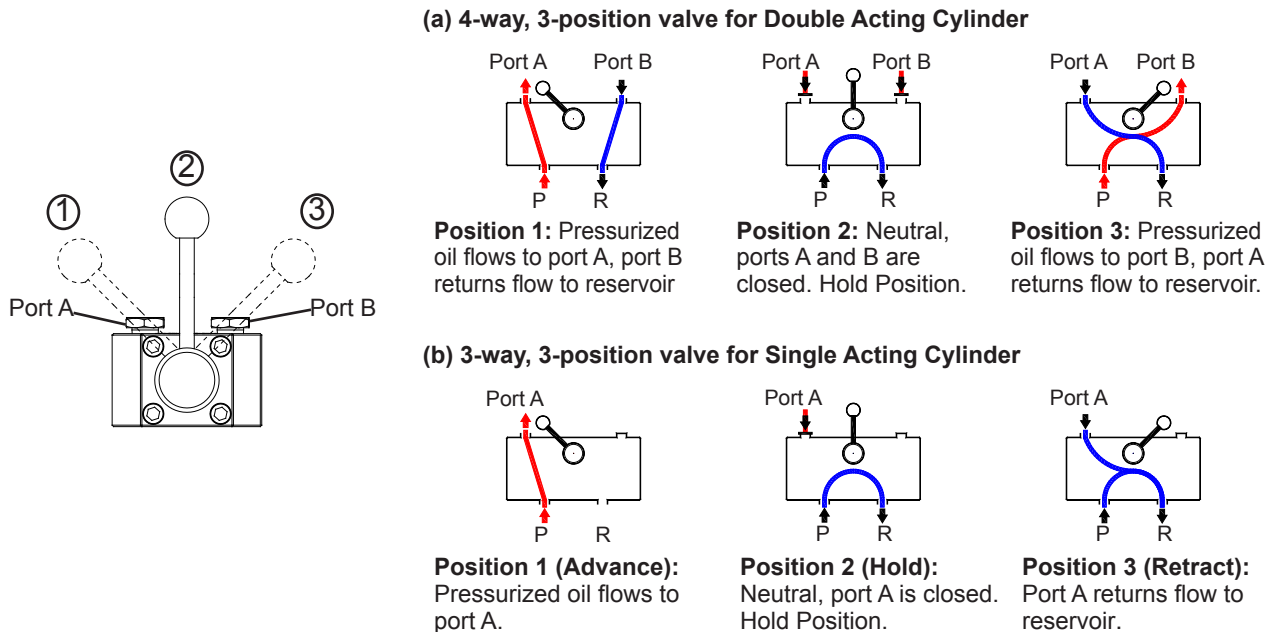


Figure 4 - Flowpath of the valve positions and operations for Model P2301M.

MAINTENANCE

1. Inspect hoses and connections daily. Replace damaged components immediately with BVA Hydraulics Replacement Parts only.
2. Tighten connections as needed. Use pipe thread sealing compound when servicing connections.
3. Use only good quality hydraulic fluid. We recommend using premium hydraulic fluid. **Never** use brake fluid, transmission fluid, turbine oil, motor oil, alcohol, glycerine etc. Use of other than good quality hydraulic oil will void warranty and damage the pump, hose, and application.

Adding Hydraulic Fluid

1. Depressurize and disconnect hydraulic hose from application.
2. With pump in its upright, horizontal position, remove vented oil filler plug/screw located on top of the reservoir.
3. Use a small funnel to fill reservoir to within 1/4" (6 mm) of the opening.
4. Wipe up any spilled fluid and reinstall the vented oil filler plug/screw.

Changing Hydraulic Fluid

For best results, change fluid once a year.

1. Remove vented oil filler plug/screw and drain used fluid into a sealable container.
2. Dispose of fluid in accordance with local regulations.
3. Fill with a good quality hydraulic jack oil as recommended above. Reinstall vented oil filler plug/screw.

Lubrication

Use a light machine oil to lubricate pivot points, hinges etc.

Storage

1. When not in use, depressurize and disconnect hoses from application.
2. Wipe clean, thoroughly
3. Pump should be stored where protected from the elements, abrasive dust, and damage. Store in clean, dry environment. Avoid temperature extremes.
4. Shield pump with a protective cover.

TROUBLESHOOTING GUIDE

The following information is intended as an aid in determining if problem exists. Pumps should be repaired only by authorized BVA Service Center. For repair service, contact service center in your area.

Symptom	Possible Causes	Corrective Action
Erratic application action	<ul style="list-style-type: none"> • Air in the system. • External leak. • Internal hydraulic leak. 	<ul style="list-style-type: none"> • Vent the system. • Tighten all connections. • Contact service center.
Application does not extend, move or respond to pressurized fluid	<ul style="list-style-type: none"> • Overload condition. • Release valve not closed. • Loose couplers/connections. • Faulty couplers/connections. • Pump malfunction. 	<ul style="list-style-type: none"> • Remedy overload condition. • Ensure release valve closed. • Tighten couplers/connections. • Replace couplers/connections. • Contact service center.
Application responds to pressurized fluid, but system does not maintain pressure	<ul style="list-style-type: none"> • Overload condition. • Release valve not closed. • Pump or valve malfunction. • Application/connection leaking. 	<ul style="list-style-type: none"> • Remedy overload condition. • Ensure release valve closed. • Contact Service Center. • Replace application/connection.
Application responds slower than normal	<ul style="list-style-type: none"> • Loose connection or coupler. • Restricted hydraulic line or fitting. • Application/connection leaking. 	<ul style="list-style-type: none"> • Tighten connection or coupler. • Clean and replace if damaged. • Replace application/connection.
Application does not return fluid to pump (i.e. cylinder will not retract)	<ul style="list-style-type: none"> • Malfunctioning coupler, damaged application. • Reservoir overfilled 	<ul style="list-style-type: none"> • Secure load by other means. Open release valve, depressurize pump and hose, remove coupler and/or application, then renew or replace. • Secure load by other means. Open release valve, depressurize pump and hose, remove application, then drain fluid to proper level.
Poor performance	<ul style="list-style-type: none"> • Fluid level in pump is low. 	<ul style="list-style-type: none"> • Ensure proper fluid level.



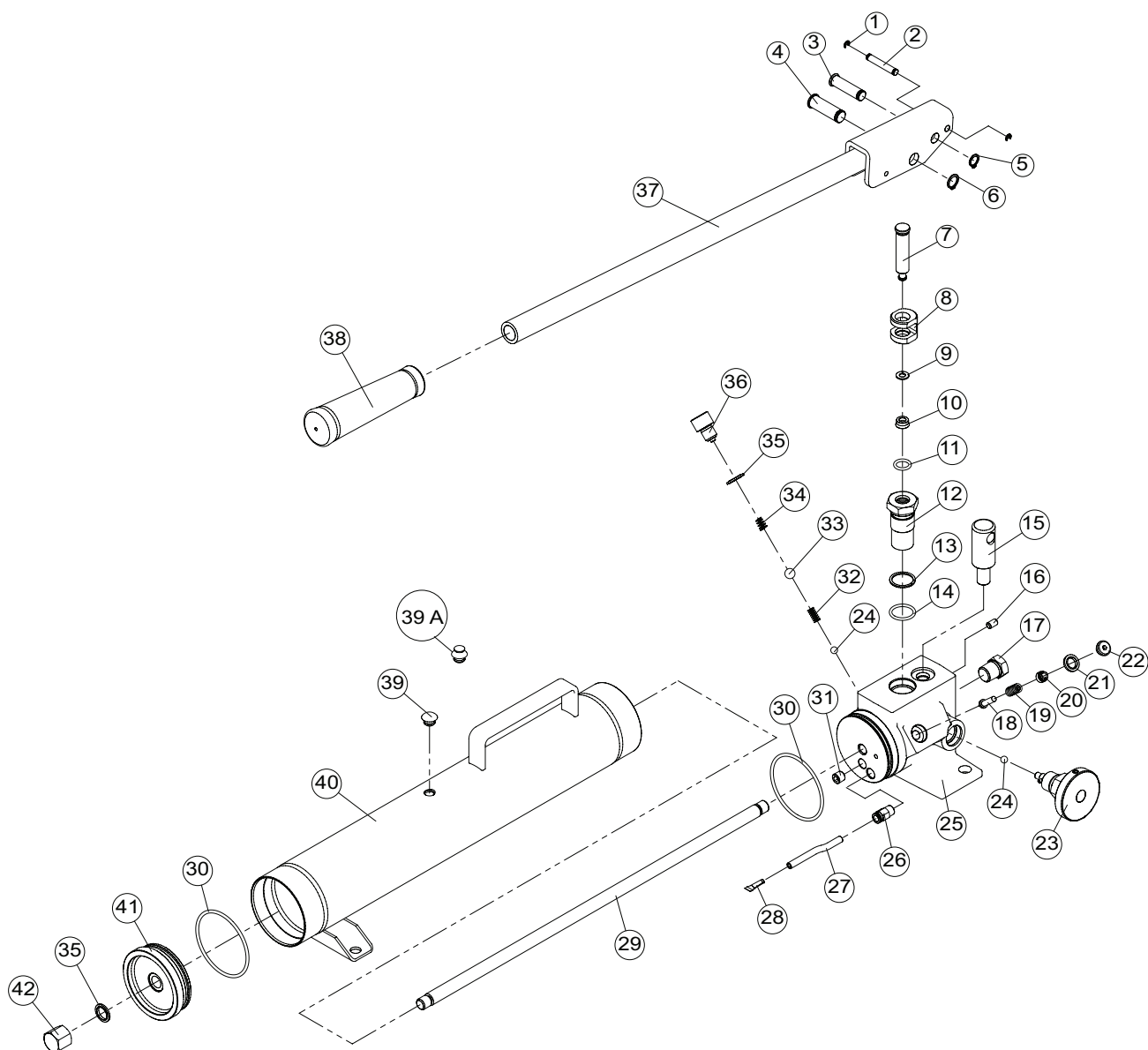
Hand Pump Service Parts

MODEL: P1201S

SFA Companies 10939 N. Pomona Ave. Kansas City, MO 64153
Tel: 888-332-6419 * Fax: 816-891-6599
E-mail: sales@bvahydraulics.com Website: www.bvahydraulics.com

Note: Not all components of the pump are replacement items, but are illustrated as a convenient reference of location and position in the assembly sequence.

Parts Illustration



Note: To ensure safe and reliable performance, replace worn or damaged parts with BVA Hydraulics Authorized Replacement Parts only.



Hand Pump Service Parts

MODEL: P1201S

SFA Companies 10939 N. Pomona Ave. Kansas City, MO 64153
 Tel: 888-332-6419 * Fax: 816-891-6599
 E-mail: sales@bvahydraulics.com Website: www.bvahydraulics.com

Note: Not all components of the pump are replacement items, but are illustrated as a convenient reference of location and position in the assembly sequence.

Parts List

Item	Part Number	Description	Qty
1	677-5-0040-102	E-Clip	2
2	H18-5-1318-104	Pin	1
3	H18-6-1318-100	Pin	1
4	H18-6-1317-108	Pin	1
5	667-5-0100-005	C-Clip	1
6	667-5-0120-001	C-Clip	1
7	H28-6-1814-100	Piston	1
8	H28-6-1815-203	Piston Seat	1
9	*	Back-up Ring	1
10	*	U-Cup	1
11	*	O-Ring	1
12	H28-6-1813-209	Pump Cylinder	1
13	*	Back-up Ring	1
14	*	O-Ring	1
15	H18-6-2114-200	Fixing Pillar	1
16	644-1-0060-071	Screw	1
17	D05-6-1001-106	Screw	1
18	A17-6-1216-102	Needle Valve	1
19	512-2-0067-010	Compression Spring	1
20	A17-5-1603-300	Adjustment Screw	1
21	*	Special Washer	1
22	414-6-1215-509	Nut	1

Item	Part Number	Description	Qty
23	H28-4-1700-105	Release Valve.	1
24	601-7-0008-009	Steel Ball	2
25	N/A	Base	1
26	651-7-0063-007	Adapter	1
27	H53-6-1808-104	Oil Tube	1
28	532-8-0040-012	Filter	1
29	H28-6-4401-102	Steel Rod	1
30	*	O-Ring	2
31	641-1-0098-103	Screw	1
32	512-2-0063-104	Compression Spring	1
33	601-7-0012-000	Steel Ball	1
34	552-2-0080-106	Bevel Compression Spring	1
35	*	Special Washer	2
36	A16-6-5006-104	Screw	1
37	H18-3-2100-100	Handle	1
38	H18-6-2112-105	Handle Grip	1
39	505-9-0092-207	Shipping Plug	1
39A	H18-4-4000-102	Air Vent Assy.	1
40	H28-3-1803-208	Reservoir	1
41	H28-6-1501-101	End Cap	1
42	H28-6-4404-106	Nut	1
(*)	H28-3-9902-109	Seal Kit	1

(*) - Indicates items included in, and available only as part of Seal Kit. Seal Kits require special skill, training and equipment to repair. Installation must be done by Authorized Service Center. Contact BVA for list of Authorized Service Centers.

N/A - Part is not available as replacement.



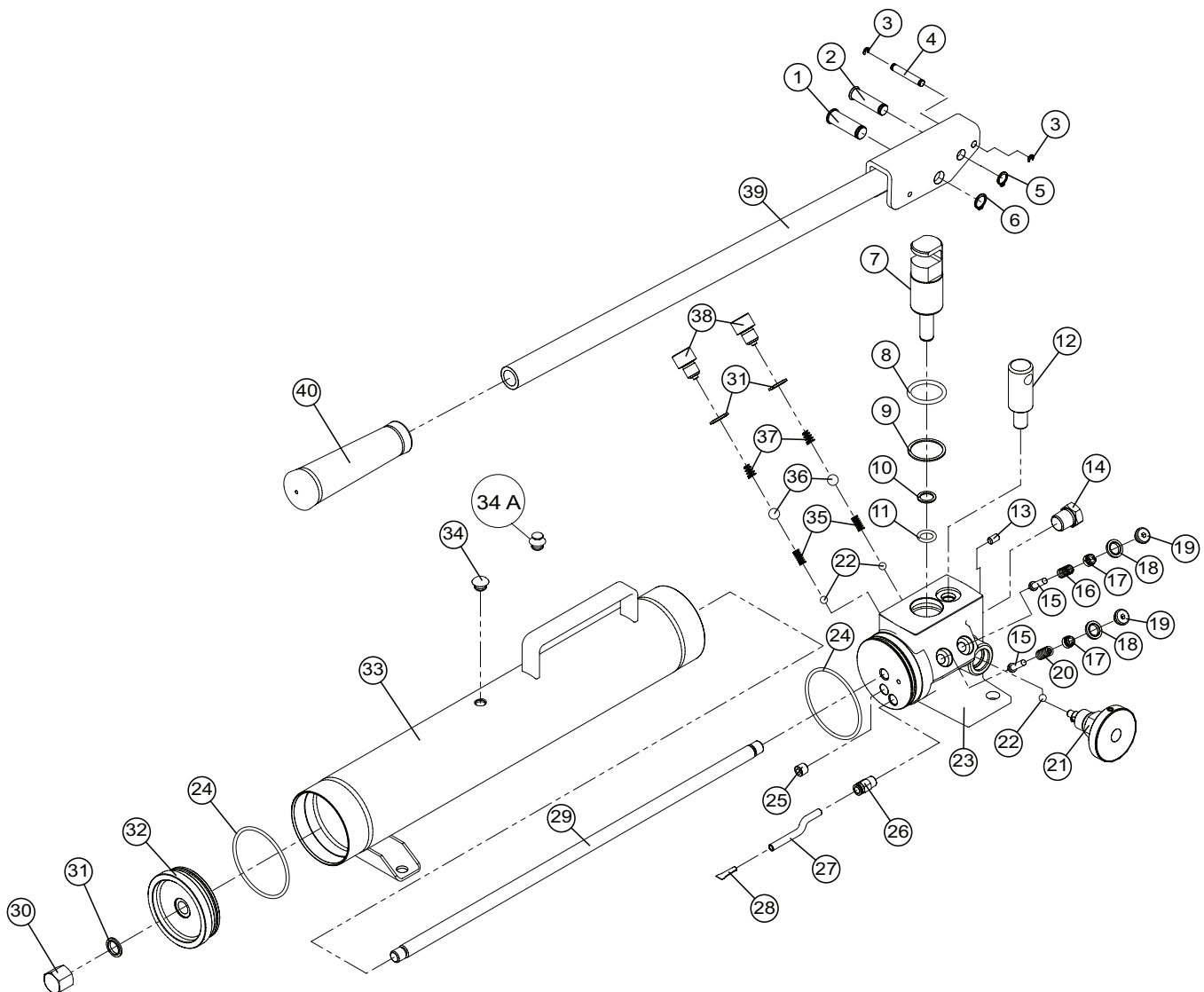
Hand Pump Service Parts

MODEL: P1201

SFA Companies 10939 N. Pomona Ave. Kansas City, MO 64153
Tel: 888-332-6419 * Fax: 816-891-6599
E-mail: sales@bvahydraulics.com Website: www.bvahydraulics.com

Note: Not all components of the pump are replacement items, but are illustrated as a convenient reference of location and position in the assembly sequence.

Parts Illustration



Note: To ensure safe and reliable performance, replace worn or damaged parts with BVA Hydraulics Authorized Replacement Parts only.



Hand Pump Service Parts

MODEL: P1201

SFA Companies 10939 N. Pomona Ave. Kansas City, MO 64153
 Tel: 888-332-6419 * Fax: 816-891-6599
 E-mail: sales@bvahydraulics.com Website: www.bvahydraulics.com

Note: Not all components of the pump are replacement items, but are illustrated as a convenient reference of location and position in the assembly sequence.

Parts List

Item	Part Number	Description	Qty
1	H18-5-1317-108	Pin	1
2	H18-6-1318-100	Pin	1
3	677-5-0040-102	E-Clip	2
4	H18-6-1318-104	Pin	1
5	667-5-0100-005	C-Clip	1
6	667-5-0120-001	C-Clip	1
7	H28-4-4406-108	Piston Assembly.	1
8	*	O-Ring	1
9	*	Back-up Ring	1
10	*	Back-up Ring	1
11	*	O-Ring	1
12	H18-6-2114-200	Fixing Pillar	1
13	644-1-0060-071	Screw	1
14	D05-6-1001-106	Oil Seal	1
15	A17-6-1216-102	Needle Valve	2
16	512-2-0080-306	Compression Spring	1
17	A17-5-1603-300	Adjustment Screw	2
18	*	Special Washer	2
19	414-6-1215-509	Plug	2
20	512-2-0067-010	Compression Spring	1
21	H28-4-1700-105	Release Valve.	1

Item	Part Number	Description	Qty
22	601-7-0008-009	Steel Ball	3
23	N/A	Base	1
24	*	O-Ring	2
25	641-1-0098-103	Screw	1
26	651-7-0063-007	Adapter	1
27	H53-6-1808-104	Oil Tube	1
28	532-8-0040-012	Filter	1
29	H28-6-4401-102	Steel Rod	1
30	H28-6-4404-106	Nut	1
31	*	Special Washer	3
32	H28-6-1501-101	Reservoir Cover Plate	1
33	H28-3-1803-208	Reservoir	1
34	505-9-0092-207	Plug	1
34A	H18-4-4000-102	Air Vent Assy.	
35	512-2-0063-104	Compression Spring	2
36	601-7-0012-000	Steel ball	2
37	552-2-0080-106	Bevel Compression Spring	2
38	A16-6-5006-104	Screw	2
39	H18-3-2100-100	Handle	1
40	H18-3-2112-105	Handle Grip	1
(*)	H28-3-9910-108	Seal Kit	-

(*) - Indicates items included in, and available only as part of Seal Kit. Seal Kits require special skill, training and equipment to repair. Installation must be done by Authorized Service Center. Contact BVA for list of Authorized Service Centers.

N/A - Part is not available as replacement.



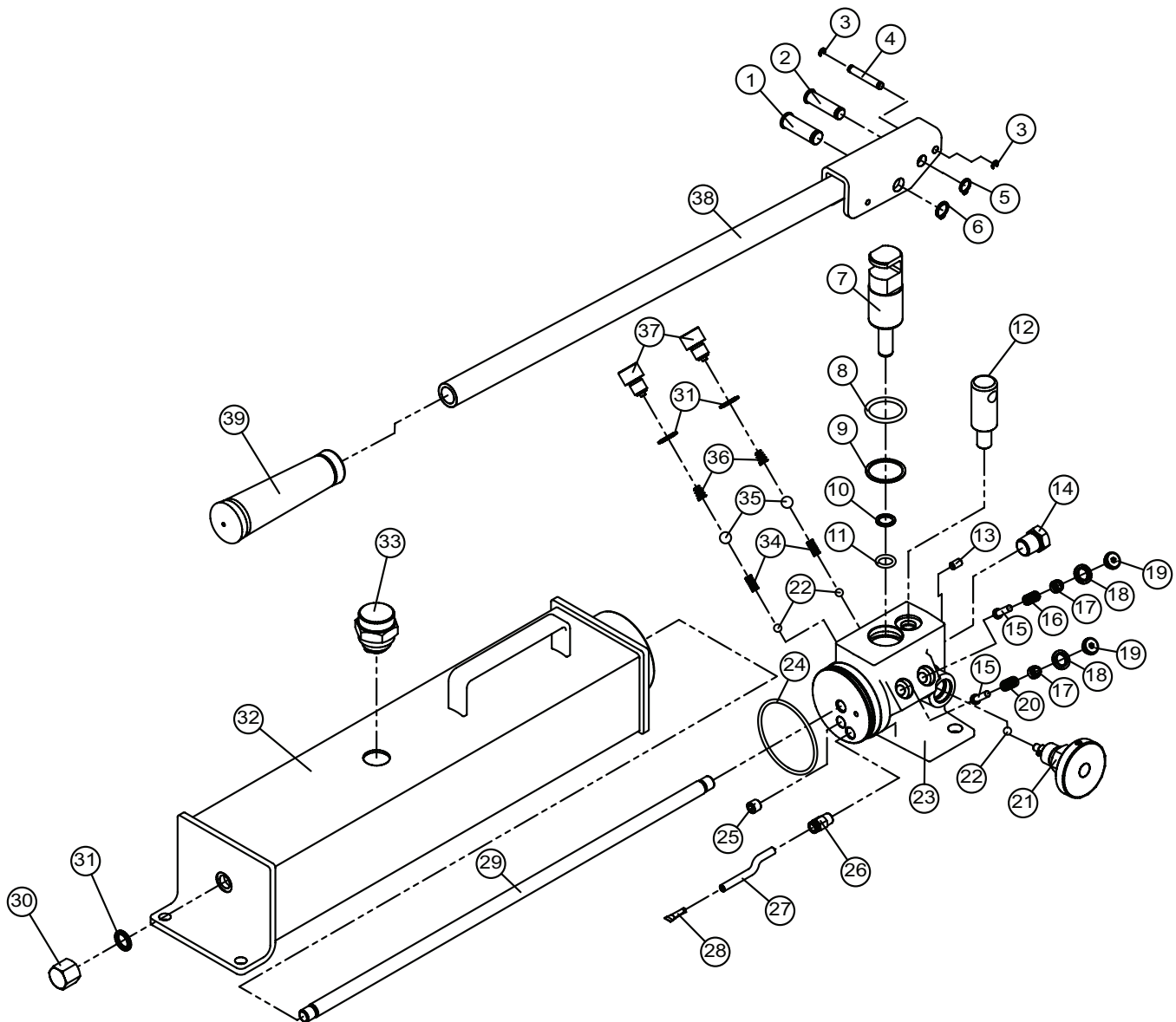
Hand Pump Service Parts

MODEL: P2301 & P4301

SFA Companies 10939 N. Pomona Ave. Kansas City, MO 64153
Tel: 888-332-6419 * Fax: 816-891-6599
E-mail: sales@bvahydraulics.com Website: www.bvahydraulics.com

Note: Not all components of the pump are replacement items, but are illustrated as a convenient reference of location and position in the assembly sequence.

Parts Illustration



Note: To ensure safe and reliable performance, replace worn or damaged parts with BVA Hydraulics Authorized Replacement Parts only.



Hand Pump Service Parts

MODEL: P2301 & P4301

SFA Companies 10939 N. Pomona Ave. Kansas City, MO 64153
 Tel: 888-332-6419 * Fax: 816-891-6599
 E-mail: sales@bvahydraulics.com Website: www.bvahydraulics.com

Note: Not all components of the pump are replacement items, but are illustrated as a convenient reference of location and position in the assembly sequence.

Parts List

Item	Part Number	Description	Qty
1	H18-6-1317-108	Pin	1
2	H18-6-1318-100	Pin	1
3	677-5-0040-102	E-Clip	2
4	H18-6-1318-104	Pin	1
5	667-5-0100-005	C-Clip	1
6	667-5-0120-001	C-Clip	1
7	H28-4-4406-108	Piston Assembly.	1
8	*	O-Ring	1
9	*	Back-up Ring	1
10	*	Back-up Ring	1
11	*	O-Ring	1
12	H18-6-2114-200	Fixing Pillar	1
13	644-1-0060-071	Screw	1
14	D05-6-1001-106	Oil Seal	1
15	A17-6-1216-102	Nail	2
16	512-2-0080-306	Compression Spring	1
17	A17-5-1603-300	Adjustment Screw	2
18	*	Special Washer	2
19	414-6-1215-509	Plug	2
20	512-2-0067-010	Compression Spring	1
21	H28-4-1700-105	Release Valve	1

Item	Part Number for Model:		Description	Qty
	P2301	P4301		
22	601-7-0008-009		Steel Ball	3
23	N/A		Base	1
24	*		O-Ring	1
25	641-1-0098-103		Screw	1
26	651-7-0063-007		Adapter	1
27	H53-6-1808-104		Oil Tube	1
28	532-8-0040-012		Filter	1
29	H28-5-4401-106	H28-5-4401-102	Steel Bar	1
30	H28-6-4404-106		Nut	1
31	*		Special washer	3
32	H28-3-1804-301	H28-3-1802-206	Reservoir	1
33	H28-4-1809-105		Air Vent Assy	1
34	512-2-0063-104		Compression Spring	2
35	601-7-0012-000		Steel ball	2
36	552-2-0080-106		Bevel Compression Spring	2
37	A16-6-5006-104		Screw	2
38	H18-3-2100-100	H18-3-2113-107	Handle	1
39	H18-6-2112-105		Handle Grip	1
(*)	H28-3-9911-100		Seal Kit	1

(*) - Indicates items included in, and available only as part of Seal Kit. Seal Kits require special skill, training and equipment to repair. Installation must be done by Authorized Service Center. Contact BVA for list of Authorized Service Centers.

N/A - Part is not available as replacement.



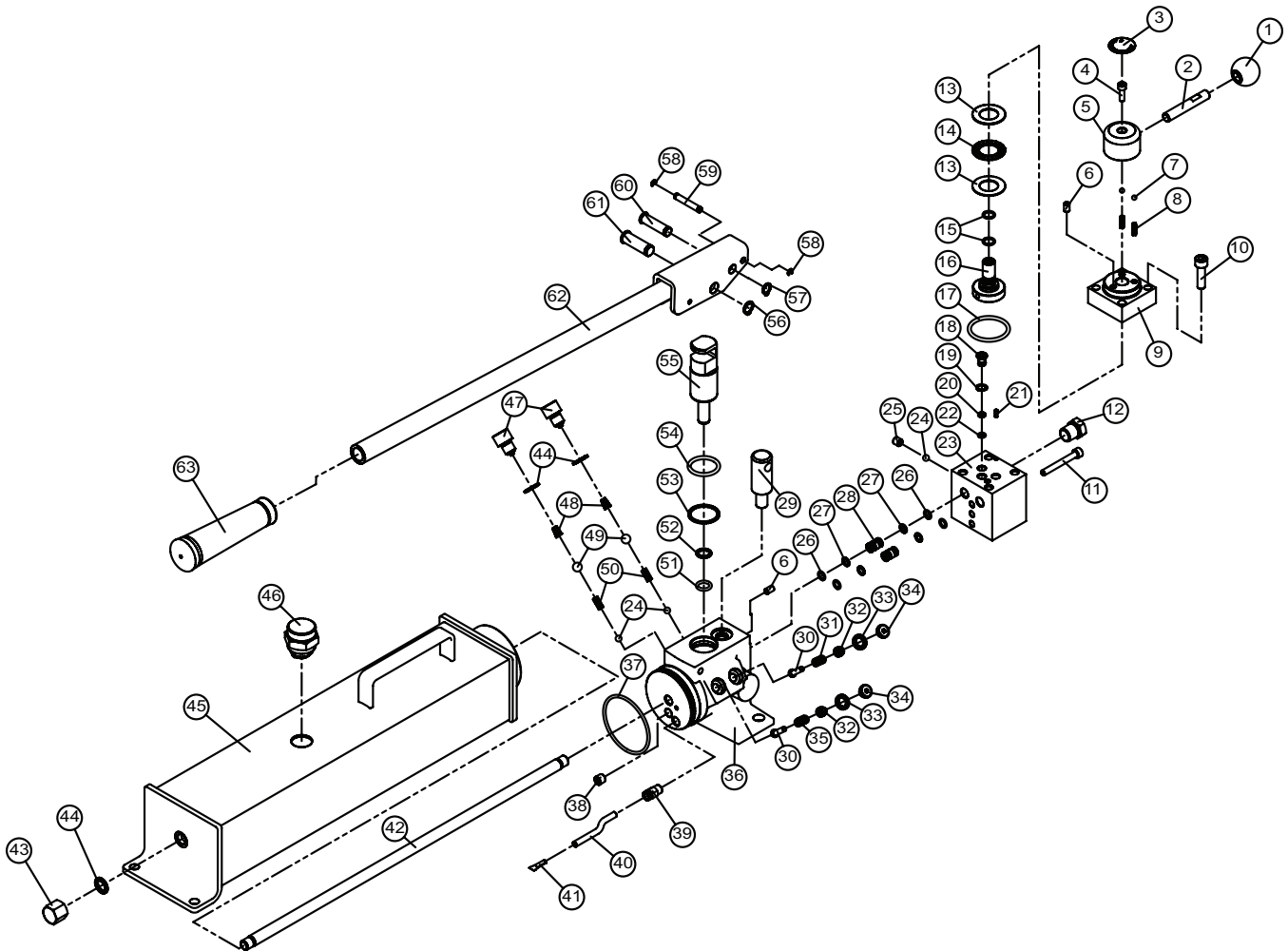
Hand Pump Service Parts

MODEL: P2301M

SFA Companies 10939 N. Pomona Ave. Kansas City, MO 64153
 Tel: 888-332-6419 * Fax: 816-891-6599
 E-mail: sales@bvahydraulics.com Website: www.bvahydraulics.com

Note: Not all components of the pump are replacement items, but are illustrated as a convenient reference of location and position in the assembly sequence.

Parts Illustration



(*) - Indicates items included in, and available only as part of Seal Kit. Seal Kits require special skill, training and equipment to repair. Installation must be done by Authorized Service Center. Contact BVA for list of Authorized Service Centers.

N/A - Part is not available as replacement.

Note: To ensure safe and reliable performance, replace worn or damaged parts with BVA Hydraulics Authorized Replacement Parts only.

Parts List for P2301M

Item	Part Number	Description	Qty
1	E05-6-1008-109	Knob	1
2	A67-6-1012-106	Handle	1
3	A67-000001-1100	Label	1
4	649-1-0050-055	Screw	1
5	A67-6-1005-109	Control Valve Cover	1
6	644-1-0060-071	Screw	2
7	601-7-0006-005	Steel Ball	2
8	512-2-0046-104	Compression Spring	2
9	A67-6-1009-107	Control Valve Base	1
10	649-1-0080-003	Socket Bolt	4
11	649-1-0060-205	Socket Bolt	3
12	D05-6-1001-106	Oil Seal	2
13	A67-6-1006-101	Washer	2
14	623-6-2542-104	Bearing	1
15	*	O-Ring	2
16	A67-6-1003-903	Control Valve	1
17	*	O-Ring	1
18	A67-6-1001-202	Oil Outlet Valve	3
19	606-3-0008-101	Spring Washer (Lock Washer)	3
20	*	Back-up Ring	3
21	601-4-0030-095	Pin	1
22	*	O-Ring	3
23	H53-6-1812-105	Valve Base	1
24	601-7-0008-009	Steel Ball	3
25	644-1-0080-031	Screw	1
26	*	O-Ring	4
27	*	Back-up Ring	4
28	H53-6-1810-101	Oil Outlet Tube	2
29	H18-6-2114-200	Fixing Pillar	1
30	A17-6-1216-102	Needle Valve	2
31	512-2-0080-306	Compression Spring	1
32	A17-5-1603-300	Adjustment Screw	2

Item	Part Number	Description	Qty
33	*	Special Washer	2
34	414-6-1215-509	Oil Seal	2
35	512-2-0067-010	Compression Spring	1
36	N/A	Base	1
37	*	O-Ring	1
38	641-1-0098-103	Screw	1
39	651-7-0063-007	Adapter	1
40	H53-6-1808-104	Oil Tube	1
41	532-8-0040-012	Filter	1
42	H28-5-4401-106	Steel Rod	1
43	H28-6-4404-106	Nut	1
44	*	Washer	3
45	H28-3-1804-301	Reservoir	1
46	H28-4-1809-105	Air Vent Assy	1
47	A16-6-5006-104	Screw	2
48	552-2-0080-106	Bevel Compression Spring	2
49	601-7-0012-000	Steel Ball	2
50	512-2-0063-104	Compression Spring	2
51	*	O-Ring	1
52	*	Back-up Ring	1
53	*	Back-up Ring	1
54	*	O-Ring	1
55	H28-4-4406-108	Piston Assembly	1
56	667-5-0120-001	C-Clip	1
57	667-5-0100-005	C-Clip	1
58	677-5-0040-102	E-Clip	2
59	H18-5-1318-104	Pin	1
60	H18-6-1318-100	Pin	1
61	H18-6-1317-108	Pin	1
62	H18-3-2100-100	Handle	1
63	H18-6-2112-105	Handle Grip	1
(*)	H28-3-9914-106	Seal Kit	-

LIMITED LIFETIME WARRANTY

BVA Hydraulics®, represented in the United States by SFA Companies ["SFA"] warrants this product to be free from defects in material and workmanship for the life of the product as long as the original purchaser owns the product. The warranty is non-transferable and is subject to the terms, exclusions, and limitations described below:

- Damaged components, including but not limited to bent rams, dented or crushed cylinder walls, broken welds or couplers as well as worn out seals, o-rings and springs are the result of misuse and not covered by warranty and BVA Hydraulics will not provide any warranty credit for such damaged components.
- This warranty does not cover ordinary wear and tear, overloading, alterations (including repairs or attempted repairs not performed by BVA Hydraulics or one of its authorized personnel), improper fluid use, or use of the product in any manner for which the product was not intended or the use of which is not in accordance with the instructions or warnings provided with the product.
- In the unlikely event that a BVA Hydraulics product fails due to material defect in workmanship, you may contact SFA for disposition. In such cases, the customer's sole and exclusive remedy for any breach or alleged breach of warranty is limited to the repair or replacement of the defective product.
- Under no circumstances is BVA Hydraulics liable for any consequential or incidental damage or loss whatsoever.
- THIS WARRANTY IS LIMITED TO NEW PRODUCTS SOLD THROUGH AUTHORIZED DISTRIBUTORS AND OTHER CHANNELS DESIGNATED BY BVA HYDRAULICS. NO AGENT, EMPLOYEE OR OTHER REPRESENTATIVE OF BVA HYDRAULICS IS AUTHORIZED TO MODIFY THIS WARRANTY.
- THE FOREGOING IS EXCLUSIVE AND IS IN LIEU OF ALL OTHER EXPRESS AND IMPLIED WARRANTIES, INCLUDING BUT NOT LIMITED TO THE IMPLIED WARRANTIES OF MERCHANTABILITY AND FOR A FITNESS FOR A PARTICULAR PURPOSE.
- Components not manufactured by BVA Hydraulics including certain motor systems, gasoline engines, and others are not covered by this warranty and instead are covered by the manufacturer's separate manufacturer's warranty provided in the package.
- BVA Hydraulics' liability in all cases is limited to, and will not exceed the purchase price paid for the product.

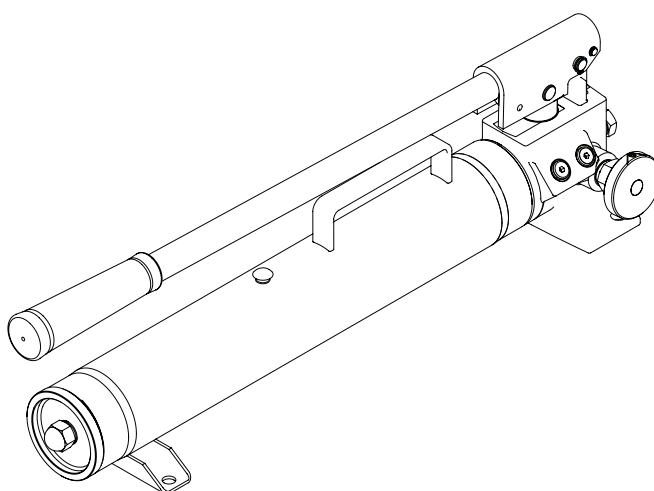


Manuel d'instructions de la pompe à main

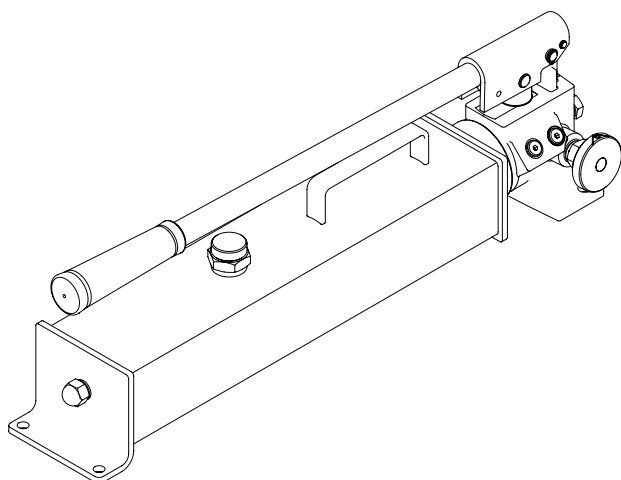
MODÈLES : P1201, P1201S, P2301, P2301M et P4301

SFA Companies 10939 N. Pomona Ave. Kansas City, MO 64153
Tél. : 1 888 332-6419 * Télécopieur : 1 816 891-6599
Courriel : sales@bvahydraulics.com Site Web : www.bvahydraulics.com

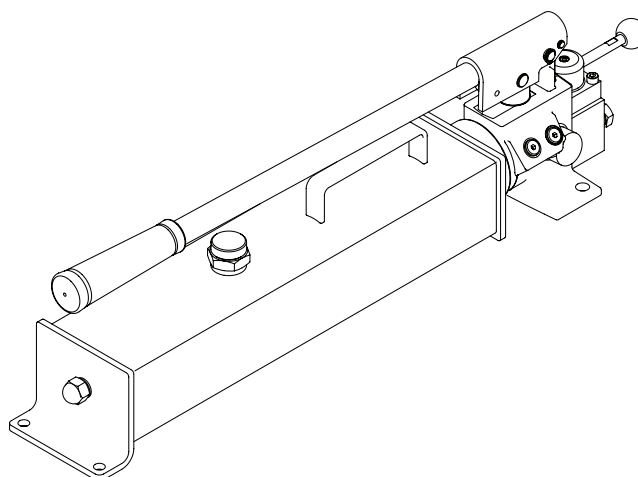
Pression d'utilisation maximale de 68,9 MPa



Modèles P1201 et P1201S



Modèles P2301 et P4301



Modèle P2301M



Voici le symbole signalant un danger pour la sécurité. Il est utilisé pour vous alerter des dangers potentiels de blessures. Respectez tous les messages de sécurité qui suivent ce symbole afin d'éviter les blessures et la mort.

INFORMATIONS GÉNÉRALES ET INFORMATIONS RELATIVES À LA SÉCURITÉ

Conservez ces instructions. Pour votre sécurité, lisez et comprenez les informations contenues dans ce manuel. Le propriétaire et l'utilisateur doivent comprendre le fonctionnement de cet équipement et les consignes de sécurité associées à son utilisation avant de s'en servir. Avant que l'utilisation de ce produit ne soit autorisée, il faut faire connaître à l'opérateur, dans sa langue maternelle, les instructions et les informations relatives à la sécurité. Assurez-vous que l'opérateur comprenne parfaitement les dangers associés à l'utilisation de cet équipement ou à une utilisation incorrecte de celui-ci. S'il y a des doutes quant à la façon adéquate et sécuritaire de se servir de ce produit, telle que décrite dans ce manuel, il faut en cesser l'utilisation immédiatement.

Inspectez le support avant chaque utilisation. Avant chaque utilisation, il est recommandé qu'un membre qualifié du personnel inspecte l'appareil et que les pièces manquantes ou endommagées, les étiquettes de nature générale, les étiquettes de sécurité ou d'avertissement et les indications soient seulement remplacées par des pièces de rechange autorisées par le fabricant. Toute pompe qui semble endommagée, qui est usée, qui fuit ou qui ne fonctionne pas correctement sera immédiatement mise hors service jusqu'à ce que des réparations puissent être effectuées. Le propriétaire et l'utilisateur de cet équipement doivent savoir qu'il peut être nécessaire d'avoir des connaissances ou des habiletés spéciales pour utiliser ce produit.

DESCRIPTION DU PRODUIT

Les pompes à main BVA Hydraulic sont conçues de manière à respecter les normes de l'industrie en matière de performance et de sécurité. Ces pompes, P1201, P2301, P2301M, et P4301, sont dotées d'un circuit hydraulique unique à deux étages permettant de déplacer rapidement un liquide hydraulique lorsqu'il n'y a pas de charge et de faire un pompage facile lorsqu'il y en a une. Ces pompes à levier fournissent un liquide hydraulique comprimé à des appareils compatibles, tels que des vérins, des presses, des écarteurs, des compacteurs et des machines à plisser qui fonctionnent à une pression de 68,9 MPa. Des habiletés, des connaissances et une formation spéciales peuvent être requises pour faire une tâche spécifique et il est possible que le produit ne soit pas adéquat pour fonctionner avec les appareils mentionnés ci-dessus. Il ne faut pas utiliser ce produit pour faire fonctionner un appareil qui déplace, met à niveau ou supporte des personnes, des animaux, des matières dangereuses, des maisons mobiles et des habitations de façon générale, des miroirs et des glaces ou encore pour relier ou maintenir en place des écoutilles, des composants, etc. qui se trouvent entre des cloisons. C'est à l'utilisateur qu'il revient de décider si le produit est adéquat pour exécuter une tâche et c'est lui qui est responsable de sa sécurité et de celle des autres dans la zone de travail.

⚠ MISE EN GARDE : Inspectez toujours les raccords avant d'utiliser cet équipement. Il est strictement interdit de modifier ce produit. Utilisez seulement les adaptateurs et les accessoires fournis et approuvés par le fabricant.

⚠ MISE EN GARDE : Pour diminuer les risques de blessures et de dommages matériels, assurez-vous que la pression nominale de chaque accessoire sous pression est égale ou supérieure à la pression nominale produite par la pompe hydraulique.

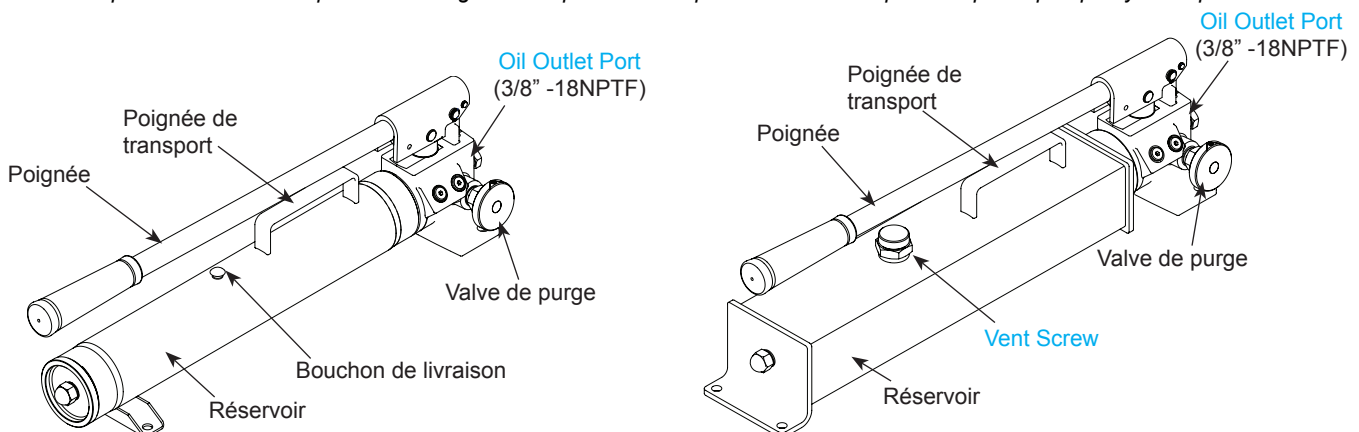


Figure 1 - Composants des modèles P1201 et P1201S

Figure 2 - Composants des modèles P2301 et P4301

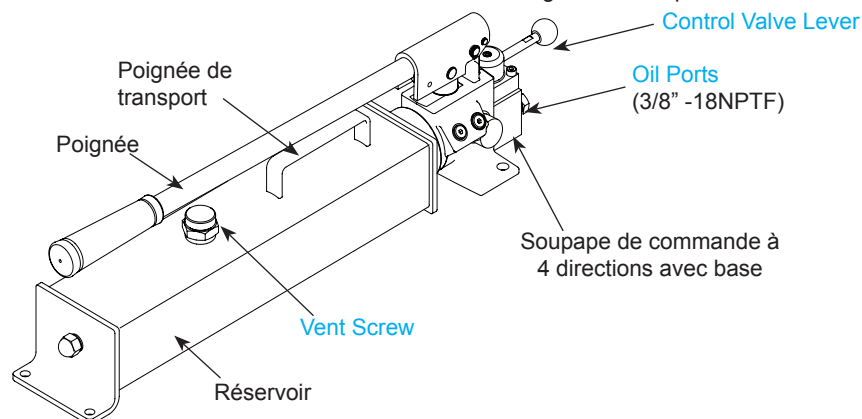


Figure 3 - Composants du modèle P2301M

SPÉCIFICATIONS

Modèle	Usable Oil Capacity (cm ³)	Type de pompe	Pression nominale (MPa)		Cylindrée par course (cm ³)		Dist. des orifices de la plaque de montage (cm)	Dimensions de la pompe (L x l x H)	Poids (kg)
			1 ^{er} étage	2 ^e étage	1 ^{er} étage	2 ^e étage			
P1201S	1098	Vitesse unique				2,13	9,5	58,6 x 13,3 x 17,1	9,07
P1201									9,30
P2301	2098	Deux vitesses	1,38	68,94	13,27	2,29	9	60,9 x 13,5 x 17,3	12,56
P2301M								69,7 x 12 x 17,3	14,65
P4301	4097						9,5	58,1 x 13,5 x 19,5	17,06

⚠ MISE EN GARDE



- Assurez-vous de lire, de bien comprendre et de suivre toutes les consignes fournies ou qui se trouvent sur l'appareil avant de l'utiliser.
- Tous les messages de MISE EN GARDE doivent être soigneusement respectés afin de prévenir les blessures.
- Ne faites aucune modification à ce produit.
- Portez toujours de l'équipement de protection lorsque vous utilisez de l'équipement hydraulique.
- Maintenez l'équipement hydraulique à distance des flammes et de la chaleur. Un liquide hydraulique peut s'enflammer et brûler. Ne le faites pas fonctionner si vous détectez des fuites.
- Danger d'écrasement.** Gardez les pieds et les mains éloignés de la zone de travail. Évitez les endroits où il y a des risques de se coincer ou de se faire écraser une partie du corps à cause de la charge, du vérin et de tout équipement du système.
- Pour éviter de vous faire écraser et de subir des blessures :
Ne travaillez JAMAIS autour d'une charge, en dessous d'elle ou sur celle-ci avant qu'elle soit supportée adéquatement par un moyen mécanique. Ne vous servez jamais de la seule pression hydraulique pour soutenir la charge.

- Utilisez seulement des accessoires et un liquide hydraulique approuvés.
- Ne raccordez JAMAIS un composant non approuvé par le fabricant.
- Assurez-vous toujours que l'équipement relié à la pompe est suffisamment stable pour travailler sur et autour de celui-ci.
- Ne reliez pas la pompe à un appareil pouvant renvoyer plus d'huile au réservoir de la pompe que ce que celui-ci peut contenir.
- Ne branchez pas la pompe à un système hydraulique alimenté par une autre pompe.
- Cet appareil n'est pas adéquat pour soutenir des charges. Lorsqu'une charge est soulevée, utilisez un sommier et des cales pour se protéger des chutes de charge.
- Assurez-vous que personne ne se trouve près du système ou d'une charge avant d'abaisser celle-ci ou de dépressuriser le système.
- N'essayez jamais de désassembler un vérin hydraulique. Faites faire les réparations par un personnel qualifié qui est autorisé à les faire.

TUYAUX HYDRAULIQUES ET TUYAUX DE TRANSPORT DE L'HUILE

POMPES HYDRAULIQUES

- L'utilisateur doit être un opérateur qualifié qui s'est familiarisé avec le fonctionnement, l'utilisation adéquate et l'entretien des pompes. Le manque de connaissances dans l'un de ces domaines peut entraîner des blessures.
- Ne dépassez pas la pression nominale de la pompe ou de tout équipement du système.
- Ne tentez jamais de soulever une charge dont le poids est supérieur à la capacité du piston.
- Ne soumettez pas la pompe et ses composants à des charges d'impact.
- Si la pression des tuyaux ou des branchements dépasse la pression nominale, cela entraîne des risques d'éclatement.
- Inspectez la pompe, le vérin, les tuyaux et les branchements avant chaque utilisation pour que les conditions dans lesquelles les appareils sont utilisés demeurent sécuritaires. Ne les utilisez pas s'ils sont endommagés, modifiés ou dans un piètre état. N'utilisez pas le système si un raccord est déformé ou endommagé ou si des filets sont endommagés.
- Ne tenez jamais de branchements hydrauliques et ne vous mettez jamais directement devant de tels branchements lors de la mise sous pression.
- Utilisez un manomètre ou un autre instrument pour mesurer la charge afin de vérifier cette dernière.
- N'essayez jamais de débrancher un branchement hydraulique pressurisé. Dépressurisez complètement les tuyaux avant de les débrancher.

- Évitez de relier des appareils avec de courts tuyaux droits. De tels tuyaux ne tolèrent pas les effets de l'expansion et de la contraction causés par des changements de pression ou de température.
- Réduisez les contraintes des tuyaux. Les longs tuyaux devraient être soutenus par des ferrures ou des attaches. Avant d'utiliser la pompe, serrez tous les branchements de tuyaux avec des outils adéquats. Ne les serrez pas trop. Les branchements devraient être serrés juste assez pour qu'il n'y ait pas de fuites et pour qu'ils soient bien fixés. Un trop grand serrage peut entraîner une usure prématurée des filets ou des éclatements de raccords là où la pression est très élevée.
- Si un tuyau hydraulique se brise ou éclate ou s'il faut en débrancher un, mettez la pompe hors service immédiatement et dépressurisez complètement le système. N'essayez jamais d'attraper avec vos mains un tuyau sous pression qui fuit. La force du liquide hydraulique qui s'échappe peut causer des blessures.
- Évitez qu'un tuyau soit exposé à des dangers comme le feu, les arêtes coupantes, la chaleur et le froid extrêmes et les impacts forts.
- Faites en sorte que les tuyaux ne soient pas tordus, coupés, écrasés, entortillés ou pliés au point où l'écoulement du liquide est bloqué ou devient restreint. Inspectez périodiquement les tuyaux pour voir s'il y a de l'usure.
- Ne tirez pas, ne positionnez pas et ne déplacez pas le montage en tirant sur un tuyau.
- Le matériau des tuyaux et les joints des raccords doivent être compatibles avec le liquide hydraulique utilisé. Les tuyaux ne doivent pas entrer en contact avec des matières ou des matériaux corrosifs comme de l'acide sulfurique, des objets imprégnés de créosote et de la peinture qui n'est pas sèche. Ne peignez jamais un raccord ni un tuyau.
- LE NON-RESPECT DE CES MISES EN GARDE PEUT ENTRAÎNER DES BLESSURES ET DES DOMMAGES.**

AVANT L'UTILISATION

1. Avant d'utiliser ce produit, lisez le manuel d'utilisation au complet et familiarisez-vous parfaitement avec le produit et ses composants, et identifiez les dangers associés à son utilisation.
2. Vérifiez que le produit est compatible avec la tâche à accomplir. Inspectez le support avant chaque utilisation. Ne l'utilisez pas s'il y a des pièces déformées, brisées, endommagées ou des pièces qui fuient.
3. Remplacez les pièces et les assemblages usés ou endommagés seulement par des pièces de rechange autorisées par BVA Hydraulics (consultez la section des pièces de rechange). Lubrifiez selon les instructions de la section « Entretien ».
4. Assurez-vous que la méthode pour mesurer la charge est précise et donne de bons résultats. Faites vérifier annuellement la précision du dynamomètre piézoélectrique ou du manomètre par un personnel qualifié.
5. Les pompes devraient être rangées à un endroit où elles sont protégées des intempéries, des poussières abrasives et des dommages. Elles peuvent être rangées en position horizontale ou verticale.

INSTALLATION

⚠ MISE EN GARDE : La pression nominale de la pompe correspond à 68,95 MPa. Assurez-vous que tout l'équipement hydraulique, comme les vérins, les tuyaux, les raccords, etc. utilisés avec cette pompe, est doté d'une pression nominale de fonctionnement d'au moins 68,95 MPa.

1. Préparer la pompe pour l'utiliser :

A) Pour les modèles P1201 et P1201S :

Retirez le bouchon d'expédition et remplacez-le par un bouchon à événements. Tirez sur le bouchon à événements pour faire sortir sa tige avant d'utiliser la pompe et pesez dessus si vous la déplacez ou la rangez. (voir figure 4)

B) Pour les modèles P2301, P2301M et P4301 :

Tournez le capuchon supérieur de la vis de purge d'air dans le sens antihoraire pour ouvrir l'évent. Tournez le capuchon dans le sens horaire pour fermer la vis de purge d'air pour le déplacement ou l'entreposage. (voir figure 5)

2. Dépressurisez le système en ouvrant la valve de purge dans le sens antihoraire, mais pas plus de 2 tours complets. Puis, enlevez soigneusement le bouchon fileté sur le port de sortie d'huile et branchez le raccord hydraulique 3/8 po NPTF au port de sortie d'huile (c.-à-d. raccord, adaptateur de manomètre, tuyau hydraulique, etc.). Assurez-vous que les ports de liquide et les raccords filetés sont nettoyés avant le branchement.

Pour le modèle P2301M :

La pompe est munie d'une soupape à 4 voies pour une utilisation avec un vérin à double effet. Branchez les deux tuyaux : Branchez un tuyau du port de pression de la pompe au port de pression du vérin; branchez l'autre tuyau du port de rentrée de la pompe au port de rentrée du vérin.

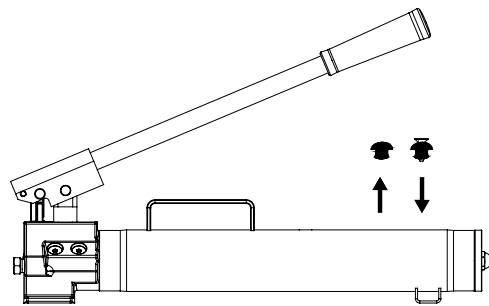
S'il s'agit d'un vérin à effet simple, la soupape doit être changée pour une soupape à 3 voies. Communiquez avec le service technique de BVA au 1 888 332-6419.

AVIS : Utilisez toujours du scellant pour filets de tuyaux non durcissable pour vous assurer que les raccords sont bien étanches. Prenez garde de ne pas mettre de scellant à l'intérieur des orifices. Serrez bien les raccords pour empêcher le détachement de composants lors de l'utilisation du démonte-pneus.

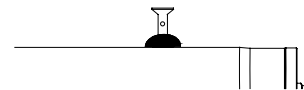
3. Installez un manomètre en ligne à partir de la pompe pour accroître la maîtrise et la sécurité.

AVIS : Il est recommandé d'utiliser des raccords, un adaptateur de manomètre et un manomètre de BVA.

4. Serrez bien les raccords pour empêcher le détachement de composants lors de l'utilisation du démonte-pneus.
5. Vérifiez qu'il n'y a pas de fuites dans le système et faites faire les réparations par un personnel qualifié au besoin. Dépressurisez le système hydraulique avant l'entretien.

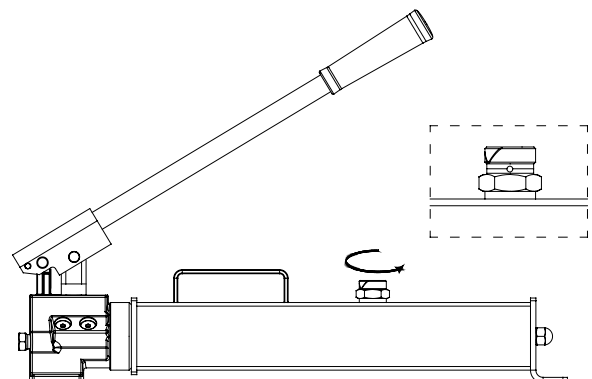


Enlevez le bouchon d'expédition et remplacez-le par le bouchon à événements (compris) avant l'utilisation initiale.



Tirez sur le bouchon vers le haut avant d'utiliser la pompe, pesez dessus pour la déplacer ou la ranger.

Figure 4 - Illustration de préparation d'utilisation pour les modèles P1201 et P1201S



Tournez le capuchon supérieur dans le sens antihoraire pour ouvrir l'évent avant l'utilisation.

Figure 5 - Illustration de préparation d'utilisation pour les modèles P2301, P2301M et P4301

FONCTIONNEMENT

⚠ MISE EN GARDE : Effectuez toujours un suivi de la pression, de la charge ou de la position à l'aide d'équipement adéquat. Il est possible de faire un suivi de la pression en utilisant un collecteur et un manomètre optionnels (communiqués avec BVA Hydraulics). On peut faire de même avec la charge en utilisant un dynamomètre piézoélectrique et un indicateur numérique. La position correcte de l'équipement relié à la pompe peut seulement être déterminée par l'opérateur s'en servant.

1. Retirez le bouchon fileté, puis branchez la pompe à un appareil compatible.
2. Assurez-vous que le niveau d'huile est correct et qu'il n'y a pas de fuites dans les raccords et les branchements du système avant d'utiliser la pompe.
3. La pompe peut être utilisée en position horizontale ou verticale comme illustré à la figure 6.

⚠ ATTENTION : Ne faites JAMAIS fonctionner la pompe lorsque la valve de purge est fermée et que la pompe n'est pas reliée à un appareil. Cela pressurise le tuyau et les branchements, ce qui augmente les risques d'éclatement. La pompe et ses composants peuvent alors être endommagés.

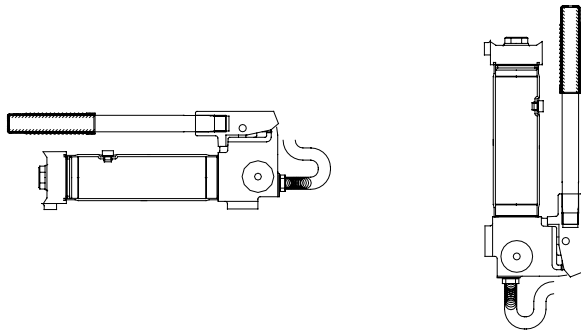


Figure 6 - Positions horizontale et verticale

4. Pour les modèle(s) P1201, P1201S, P2301 et P4301:

- A. Fermez la valve de purge en la tournant dans le sens horaire. Ne la serrez qu'avec vos doigts UNIQUEMENT. Utiliser des outils pour serrer la valve de purge peut l'endommager et la rendre défectueuse.
- B. Appuyez sur le levier jusqu'à ce que la charge ou la position désirée soit atteinte.
- C. La pression va être maintenue jusqu'à ce que la valve de purge soit ouverte.
- D. Pour libérer la pression, tournez lentement le bouton de la valve de purge dans le sens antihoraire (jamais plus de 2 tours complets).

5. Pour le modèle P2301M:

Utilisez le levier de la soupape de commande pour contrôler la direction d'écoulement de l'huile hydraulique; reportez-vous à la figure 7a. Pompez le levier jusqu'à ce que la charge ou la position désirée soit atteinte.

⚠ MISE EN GARDE : Utilisez le vérin à double effet seulement lorsque les deux tuyaux sont branchés à la pompe. Si un raccord n'est pas branché, une pression élevée s'accumulera derrière le raccord, ce qui pourrait entraîner des dommages à l'équipement, voire des blessures corporelles.

AVIS : Pour utiliser le réglage à 3 voies montré à la figure 4b, comme les vérins à effet simple, veuillez faire changer la soupape pour une soupape à 3 voies dans un centre de service autorisé. Communiquez avec le service technique de BVA Hydraulics au 1 888 332-6419.

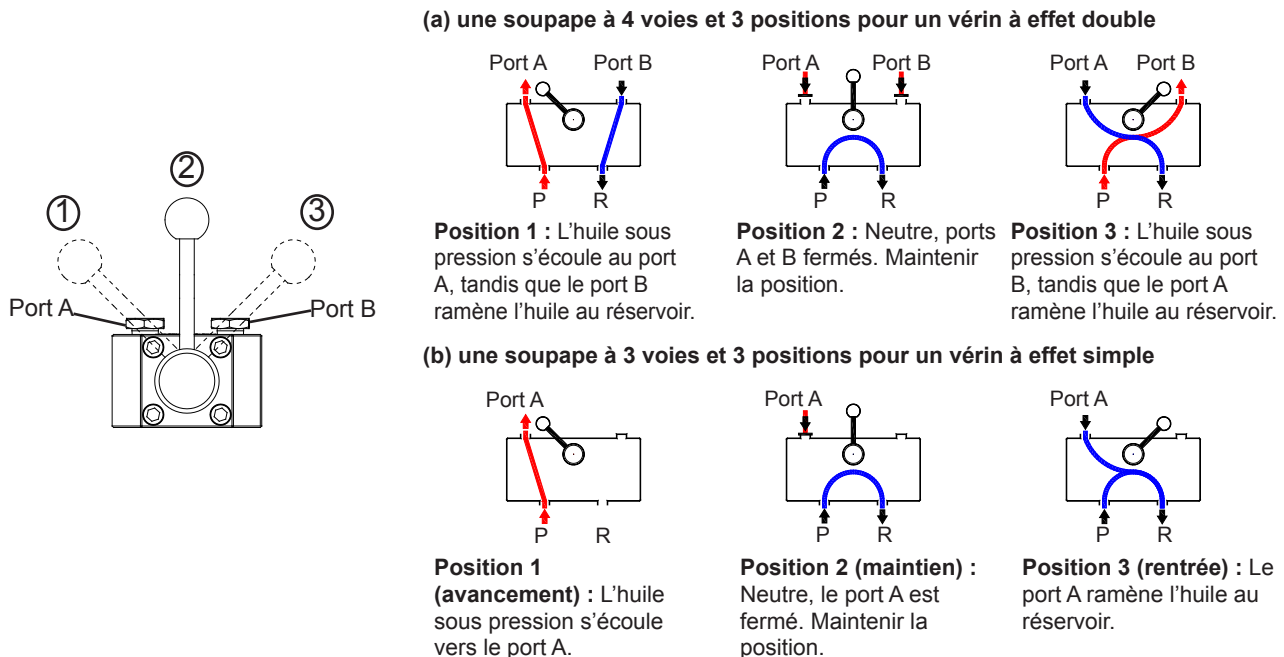


Figure 7 : Écoulement selon les positions de soupape et utilisations du modèle

FONCTIONNEMENT (suite)

6. Exclut le modèle P1201S:

Sans charge ou au 1^{er} étage, la pompe fonctionne à débit élevé pour un avancement rapide. Lorsque le contact avec la charge est effectué, la pompe passe automatiquement au 2^e étage pour créer de la pression. Lorsque la pompe atteint une pression d'environ 200 lb/po², vous devez arrêter de pomper momentanément et soulever la poignée pour passer à l'étage haute pression. Après le passage de la pompe, il est plus facile de pomper.

AVIS : Utilisez la poignée de pompe plus lentement pendant le 1^{er} étage à débit élevé de manière à assurer la fourniture du volume optimal d'huile par la pompe.

ENTRETIEN

- Inspectez les tuyaux et les branchements quotidiennement. Remplacez les composants endommagés immédiatement avec des pièces de rechange BVA Hydraulics uniquement.
- Serrez les raccords selon les besoins. Utilisez un scellant pour filets de tuyaux lors de l'entretien des branchements.
- Utilisez seulement du liquide hydraulique de bonne qualité. Il est recommandé d'utiliser du liquide hydraulique de première qualité. **N'utilisez jamais** de liquide pour frein, d'huile de turbine, de liquide de transmission, d'huile moteur, d'alcool, de glycérine, etc. L'utilisation d'un fluide autre que de l'huile hydraulique va annuler la garantie et peut endommager la pompe, le tuyau et l'appareil auxquels la pompe est reliée.

Ajouter un liquide hydraulique

- Dépressurisez le tuyau hydraulique et débranchez-le de l'appareil auquel il est relié.

- Lorsque la pompe est debout et en position horizontale, enlevez la vis de remplissage d'huile située sur le dessus du réservoir.
- Utilisez un petit entonnoir pour remplir le réservoir jusqu'à ce que le niveau d'huile se trouve à une distance égale ou inférieure à 6 mm (1/4 po) par rapport à l'ouverture.
- Nettoyez tout liquide renversé et remettez le bouchon du réservoir d'huile.

Changer le liquide hydraulique

Afin d'optimiser la performance, changez le liquide au moins une fois par année.

- Retirez le bouchon ou la vis de remplissage d'huile et vidangez le liquide usé dans un contenant scellable.
- Jetez le liquide conformément aux réglementations locales.
- Mettez une huile hydraulique pour cric de bonne qualité selon les recommandations énoncées précédemment. Remettez le bouchon ou la vis de remplissage.

Graissage

Utilisez une huile légère pour machine afin de lubrifier les points de pivotement, les charnières, etc.

Stockage

- Lorsque la pompe n'est pas utilisée, libérez la pression et débranchez les tuyaux qui y sont raccordés.
- Nettoyez le tout vigoureusement.
- La pompe doit être entreposée à un endroit où elle est protégée des intempéries, des poussières abrasives et des dommages. Rangez la pompe dans un endroit sec et propre. Évitez les températures extrêmes.
- Protégez la pompe avec une couverture de protection.

GUIDE DE DÉPANNAGE

Les informations présentées dans le tableau ci-dessous sont fournies dans le but d'aider à régler des problèmes rencontrés. Les pompes doivent être réparées dans un centre de service BVA autorisé uniquement. Pour le service de réparation, communiquez avec le centre de service le plus près de chez vous.

Problème	Causes possibles	Mesure corrective
Appareil relié à la pompe fonctionnant de manière erratique	<ul style="list-style-type: none"> Air emprisonné dans le système. Fuite externe. Fuite hydraulique interne. 	<ul style="list-style-type: none"> Purgez l'air du système. Serrez tous les branchements. Communiquez avec le centre de service.
Appareil ne réagissant pas sous l'action du liquide pressurisé	<ul style="list-style-type: none"> Surcharge. La valve de purge n'est pas bien fermée. Raccords lâches. Raccords ou branchements défectueux. Défaillance de la pompe. 	<ul style="list-style-type: none"> Remédiez au problème de surcharge. Assurez-vous que la valve de purge est bien fermée. Resserrez les raccords. Remplacez les raccords ou les branchements. Communiquez avec le centre de service.
La pompe réagit sous l'action du liquide pressurisé, mais la pression du système ne se maintient pas.	<ul style="list-style-type: none"> Surcharge. La valve de purge n'est pas bien fermée. Défaillance de la pompe ou de la valve. Appareil ou branchements qui fuient. 	<ul style="list-style-type: none"> Remédiez au problème de surcharge. Assurez-vous que la valve de purge est bien fermée. Communiquez avec le service à la clientèle. Remplacez l'appareil ou refaites les branchements.
La pompe prend plus de temps pour réagir que normalement	<ul style="list-style-type: none"> Raccord ou branchement lâche. Raccord ou tuyau hydraulique avec écoulement restreint. Appareil ou branchements qui fuient. 	<ul style="list-style-type: none"> Serrez les branchements ou les raccords. Nettoyez et remplacez les raccords ou les tuyaux s'ils sont endommagés. Remplacez l'appareil ou refaites les branchements.
Le composant raccordé ne renvoie pas de liquide à la pompe (c.-à-d. que le vérin ne rentrera pas)	<ul style="list-style-type: none"> Raccord défaillant, appareil endommagé. Trop de liquide hydraulique dans le réservoir. 	<ul style="list-style-type: none"> Retenez la charge par d'autres moyens. Ouvrez la valve de purge, dépressurisez la pompe et le tuyau, enlevez le raccord ou l'appareil, puis remplacez-le ou refaites le branchement. Retenez la charge par d'autres moyens. Ouvrez la valve de purge, dépressurisez la pompe et le tuyau, enlevez l'appareil, puis purgez le liquide jusqu'à ce qu'il atteigne le bon niveau.
Performance médiocre	<ul style="list-style-type: none"> Niveau de liquide de la pompe trop bas. 	<ul style="list-style-type: none"> Assurez-vous que le niveau de liquide est adéquat.



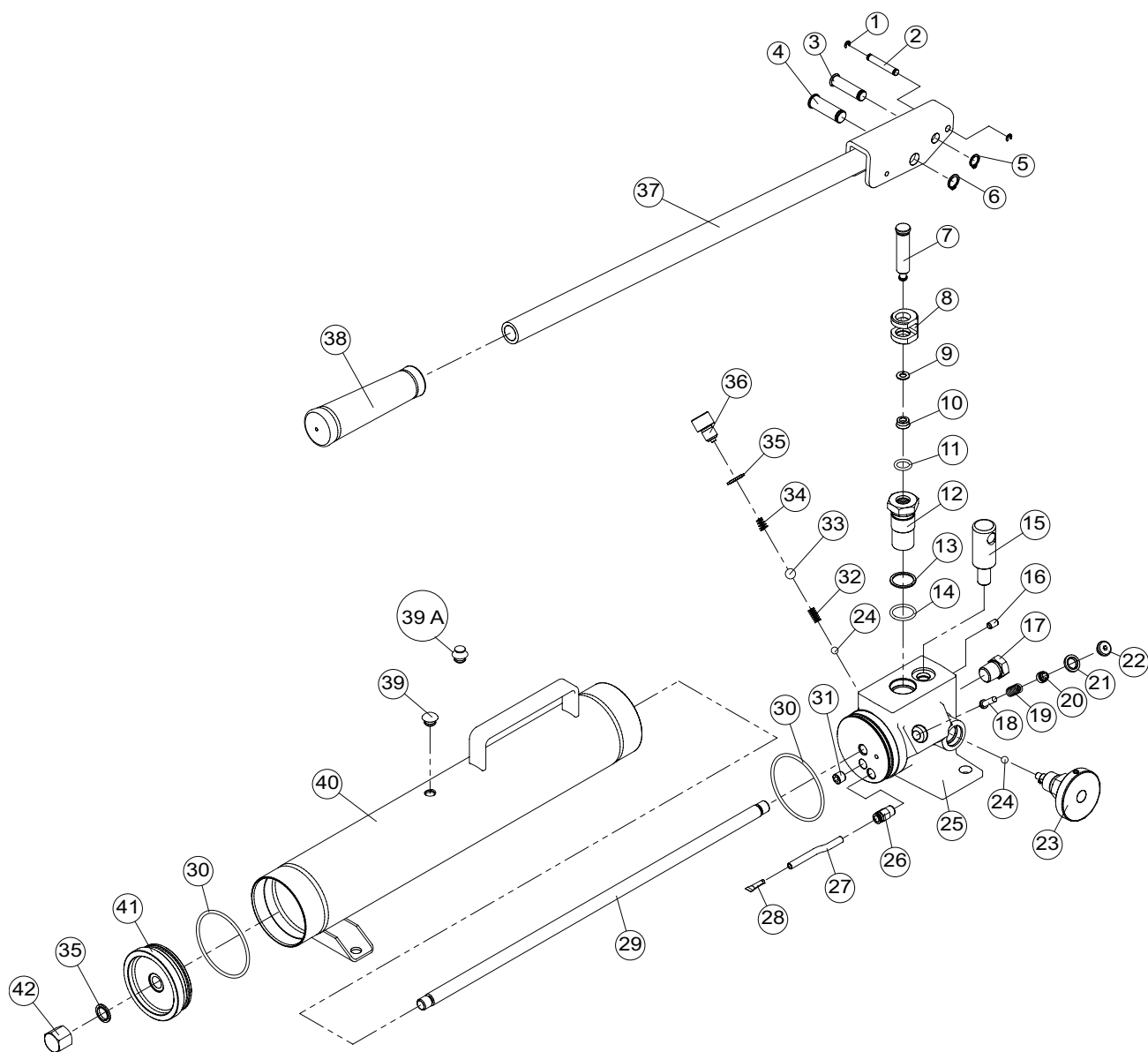
Pièces de rechange de la pompe à main

MODÈLE : P1201S

SFA Companies 10939 N. Pomona Ave. Kansas City, MO 64153
Tél. : 1 888 332-6419 * Télécopieur : 1 816 891-6599
Courriel : sales@bvahydraulics.com Site Web : www.bvahydraulics.com

Remarque : Ce ne sont pas toutes les pièces de la pompe qui peuvent être remplacées, mais elles sont illustrées pour montrer leur emplacement ainsi que leur position pour l'assemblage.

Illustration des pièces



Remarque : Pour assurer un fonctionnement fiable et sécuritaire, remplacez les pièces usées ou endommagées uniquement par des pièces de rechange autorisées par BVA Hydraulics.



Pièces de rechange de la pompe à main

MODÈLE : P1201S

SFA Companies 10939 N. Pomona Ave. Kansas City, MO 64153
 Tél. : 1 888 332-6419 * Télécopieur : 1 816 891-6599
 Courriel : sales@bvahydraulics.com Site Web : www.bvahydraulics.com

Remarque : Ce ne sont pas toutes les pièces de la pompe qui peuvent être remplacées, mais elles sont illustrées pour montrer leur emplacement ainsi que leur position pour l'assemblage.

Liste des pièces

Pièce	Numéro de pièce	Description	Qté.	Pièce	Numéro de pièce	Description	Qté.
1	677-5-0040-102	Anneau en E	2	23	H28-4-1700-105	Valve de purge	1
2	H18-5-1318-104	Goupille	1	24	601-7-0008-009	Bille en acier	2
3	H18-6-1318-100	Goupille	1	25	S.D.	Base	1
4	H18-6-1317-108	Goupille	1	26	651-7-0063-007	Adaptateur	1
5	667-5-0100-005	Circlip	1	27	H53-6-1808-104	Oil Tube	1
6	667-5-0120-001	Circlip	1	28	532-8-0040-012	Filtre	1
7	H28-6-1814-100	Piston	1	29	H28-6-4401-102	Tige en acier	1
8	H28-6-1815-203	Siège du piston	1	30	*	Joint torique	2
9	*	Anneau de rechange	1	31	641-1-0098-103	Vis	1
10	*	Joint en coupelle	1	32	512-2-0063-104	Ressort de compression	1
11	*	Joint torique	1	33	601-7-0012-000	Bille en acier	1
12	H28-6-1813-209	Cylindre de pompe	1	34	552-2-0080-106	Bevel Ressort de compression	1
13	*	Anneau de rechange	1	35	*	Rondelle spéciale	2
14	*	Joint torique	1	36	A16-6-5006-104	Vis	1
15	H18-6-2114-200	Colonne de fixation	1	37	H18-3-2100-100	Poignée	1
16	644-1-0060-071	Vis	1	38	H18-6-2112-105	Poignée avec prise	1
17	D05-6-1001-106	Vis	1	39	505-9-0092-207	Bouchon de livraison	1
18	A17-6-1216-102	Aiguille de la valve	1	39A	H18-4-4000-102	Air Vent Assy.	
19	512-2-0067-010	Ressort de compression	1	40	H28-3-1803-208	Réservoir	1
20	A17-5-1603-300	Vis de réglage	1	41	H28-6-1501-101	Bouchon de l'extrémité	1
21	*	Rondelle spéciale	1	42	H28-6-4404-106	Écrou	1
22	414-6-1215-509	Écrou	1	(*)	H28-3-9902-109	Ensemble de joints	1

(*) - Ce symbole indique les pièces qui font partie de la trousse de joints et ne peuvent être commandées autrement. Les trousse de joints exigent des habiletés, une formation et de l'équipement pour être utilisées. L'installation doit être effectuée dans un centre de service autorisé. Communiquez avec BVA pour obtenir la liste des centres de service autorisés.

S.O. - Pièce ne pouvant être remplacée.



Pièces de rechange de la pompe à main

MODÈLE : P1201

SFA Companies 10939 N. Pomona Ave. Kansas City, MO 64153
 Tél. : 1 888 332-6419 * Télécopieur : 1 816 891-6599
 Courriel : sales@bvahydraulics.com Site Web : www.bvahydraulics.com

Remarque : Ce ne sont pas toutes les pièces de la pompe qui peuvent être remplacées, mais elles sont illustrées pour montrer leur emplacement ainsi que leur position pour l'assemblage.

Liste des pièces

Pièce	Numéro de pièce	Description	Qté.
1	H18-5-1317-108	Goupille	1
2	H18-6-1318-100	Goupille	1
3	677-5-0040-102	Anneau en E	2
4	H18-6-1318-104	Goupille	1
5	667-5-0100-005	Circlip	1
6	667-5-0120-001	Circlip	1
7	H28-4-4406-108	Piston	1
8	*	Joint torique	1
9	*	Anneau de rechange	1
10	*	Anneau de rechange	1
11	*	Joint torique	1
12	H18-6-2114-200	Colonne de fixation	1
13	644-1-0060-071	Vis	1
14	D05-6-1001-106	Joint pour huile	1
15	A17-6-1216-102	Aiguille de la valve	2
16	512-2-0080-306	Ressort de compression	1
17	A17-5-1603-300	Vis de réglage	2
18	*	Rondelle spéciale	2
19	414-6-1215-509	Bouchon	2
20	512-2-0067-010	Ressort de compression	1
21	H28-4-1700-105	Valve de purge	1

Pièce	Numéro de pièce	Description	Qté.
22	601-7-0008-009	Bille en acier	3
23	S.D.	Base	1
24	*	Joint torique	2
25	641-1-0098-103	Vis	1
26	651-7-0063-007	Adaptateur	1
27	H53-6-1808-104	Oil Tube	1
28	532-8-0040-012	Filtre	1
29	H28-6-4401-102	Tige en acier	1
30	H28-6-4404-106	Écrou	1
31	*	Rondelle spéciale	3
32	H28-6-1501-101	Couvercle de réservoir	1
33	H28-3-1803-208	Réservoir	1
34	505-9-0092-207	Bouchon	1
34A	H18-4-4000-102	Air Vent Assy.	
35	512-2-0063-104	Ressort de compression	2
36	601-7-0012-000	Bille en acier	2
37	552-2-0080-106	Ressort de compression conique	2
38	A16-6-5006-104	Vis	2
39	H18-3-2100-100	Poignée	1
40	H18-3-2112-105	Prise de la poignée	1
(*)	H28-3-9910-108	Ensemble de joints	-

(*) - Ce symbole indique les pièces qui font partie de la trousse de joints et ne peuvent être commandées autrement. Les trousse de joints exigent des habiletés, une formation et de l'équipement pour être utilisées. L'installation doit être effectuée dans un centre de service autorisé. Communiquez avec BVA pour obtenir la liste des centres de service autorisés.

S.O. - Pièce ne pouvant être remplacée.



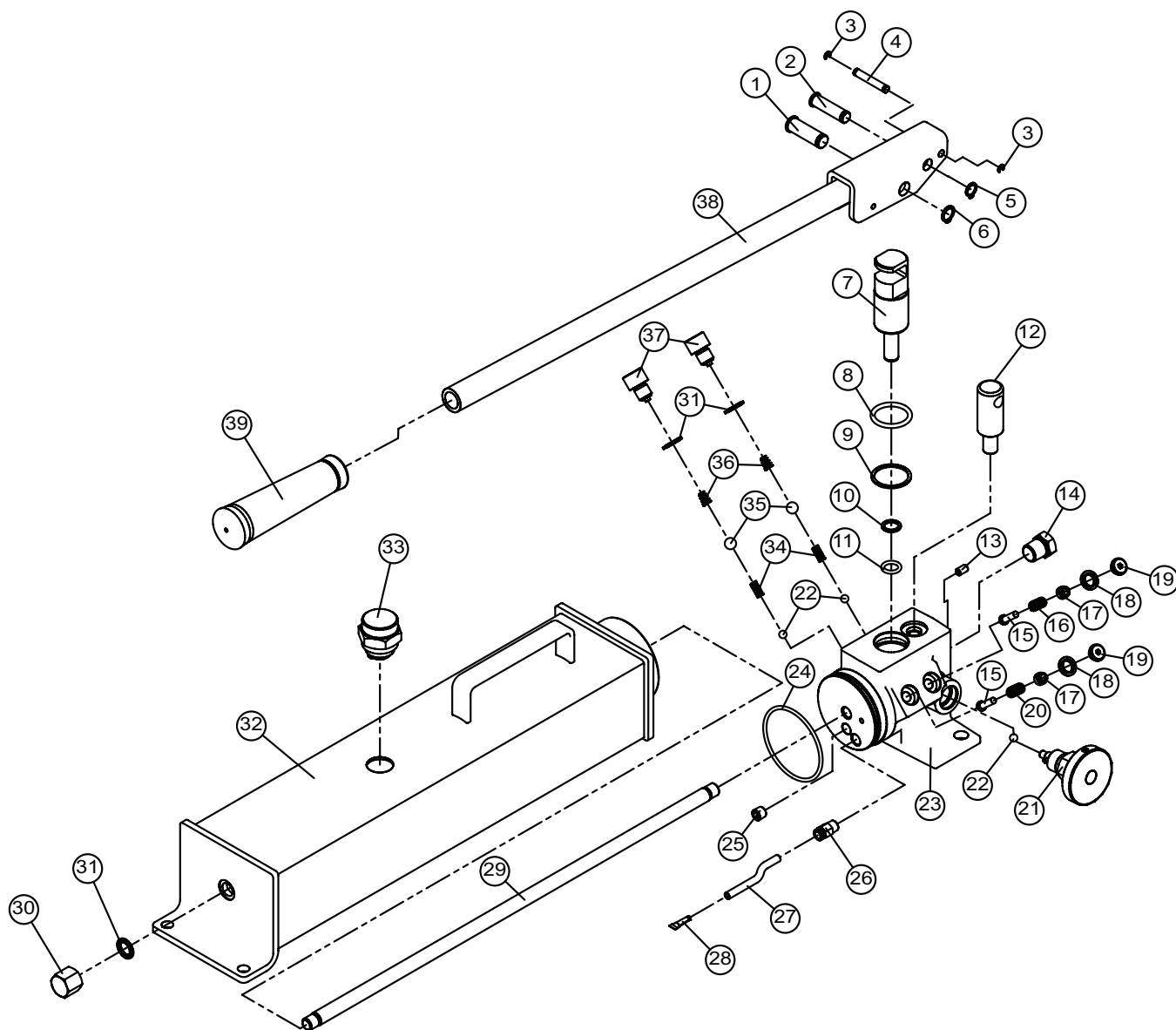
Pièces de rechange de la pompe à main

MODÈLE : P2301 & P4301

SFA Companies 10939 N. Pomona Ave. Kansas City, MO 64153
Tél. : 1 888 332-6419 * Télécopieur : 1 816 891-6599
Courriel : sales@bvahydraulics.com Site Web : www.bvahydraulics.com

Remarque : Ce ne sont pas toutes les pièces de la pompe qui peuvent être remplacées, mais elles sont illustrées pour montrer leur emplacement ainsi que leur position pour l'assemblage.

Illustration des pièces



Remarque : Pour assurer un fonctionnement fiable et sécuritaire, remplacez les pièces usées ou endommagées uniquement par des pièces de rechange autorisées par BVA Hydraulics.



Pièces de rechange de la pompe à main

MODÈLE : P2301 & P4301

SFA Companies 10939 N. Pomona Ave. Kansas City, MO 64153
Tél. : 1 888 332-6419 * Télécopieur : 1 816 891-6599
Courriel : sales@bvahydraulics.com Site Web : www.bvahydraulics.com

Remarque : Ce ne sont pas toutes les pièces de la pompe qui peuvent être remplacées, mais elles sont illustrées pour montrer leur emplacement ainsi que leur position pour l'assemblage.

Liste des pièces

Pièce	Número de pièce	Description	Qté.
1	H18-6-1317-108	Goupille	1
2	H18-6-1318-100	Goupille	1
3	677-5-0040-102	Anneau en E	2
4	H18-6-1318-104	Goupille	1
5	667-5-0100-005	Circlip	1
6	667-5-0120-001	Circlip	1
7	H28-4-4406-108	Piston	1
8	*	Joint torique	1
9	*	Anneau de rechange	1
10	*	Anneau de rechange	1
11	*	Joint torique	1
12	H18-6-2114-200	Colonne de fixation	1
13	644-1-0060-071	Vis	1
14	D05-6-1001-106	Joint pour huile	1
15	A17-6-1216-102	Clou	2
16	512-2-0080-306	Ressort de compression	1
17	A17-5-1603-300	Vis de réglage	2
18	*	Rondelle spéciale	2
19	414-6-1215-509	Bouchon	2
20	512-2-0067-010	Ressort de compression	1
21	H28-4-1700-105	Valve de purge	1

Pièce	N° de pièce pour modèles :		Description	Qté.
	P2301	P4301		
22	601-7-0008-009		Bille en acier	3
23	S.D.		Base	1
24	*		Joint torique	1
25	641-1-0098-103		Vis	1
26	651-7-0063-007		Adaptateur	1
27	H53-6-1808-104		Oil Tube	1
28	532-8-0040-012		Filtre	1
29	H28-5-4401-106	H28-5-4401-102	Barre d'acier	1
30	H28-6-4404-106		Écrou	1
31	*		Rondelle spéciale	3
32	H28-3-1804-301	H28-3-1802-206	Réservoir	1
33	H28-4-1809-105		Air Vent Assy	1
34	512-2-0063-104		Ressort de compression	2
35	601-7-0012-000		Bille en acier	2
36	552-2-0080-106		Ressort de compression conique	2
37	A16-6-5006-104		Vis	2
38	H18-3-2100-100	H18-3-2113-107	Poignée	1
39	H18-6-2112-105		Prise de la poignée	1
(*)	H28-3-9911-100		Ensemble de joints	1

(*) - Ce symbole indique les pièces qui font partie de la trousse de joints et ne peuvent être commandées autrement. Les trousse de joints exigent des habiletés, une formation et de l'équipement pour être utilisées. L'installation doit être effectuée dans un centre de service autorisé. Communiquez avec BVA pour obtenir la liste des centres de service autorisés.

S.O. - Pièce ne pouvant être remplacée.



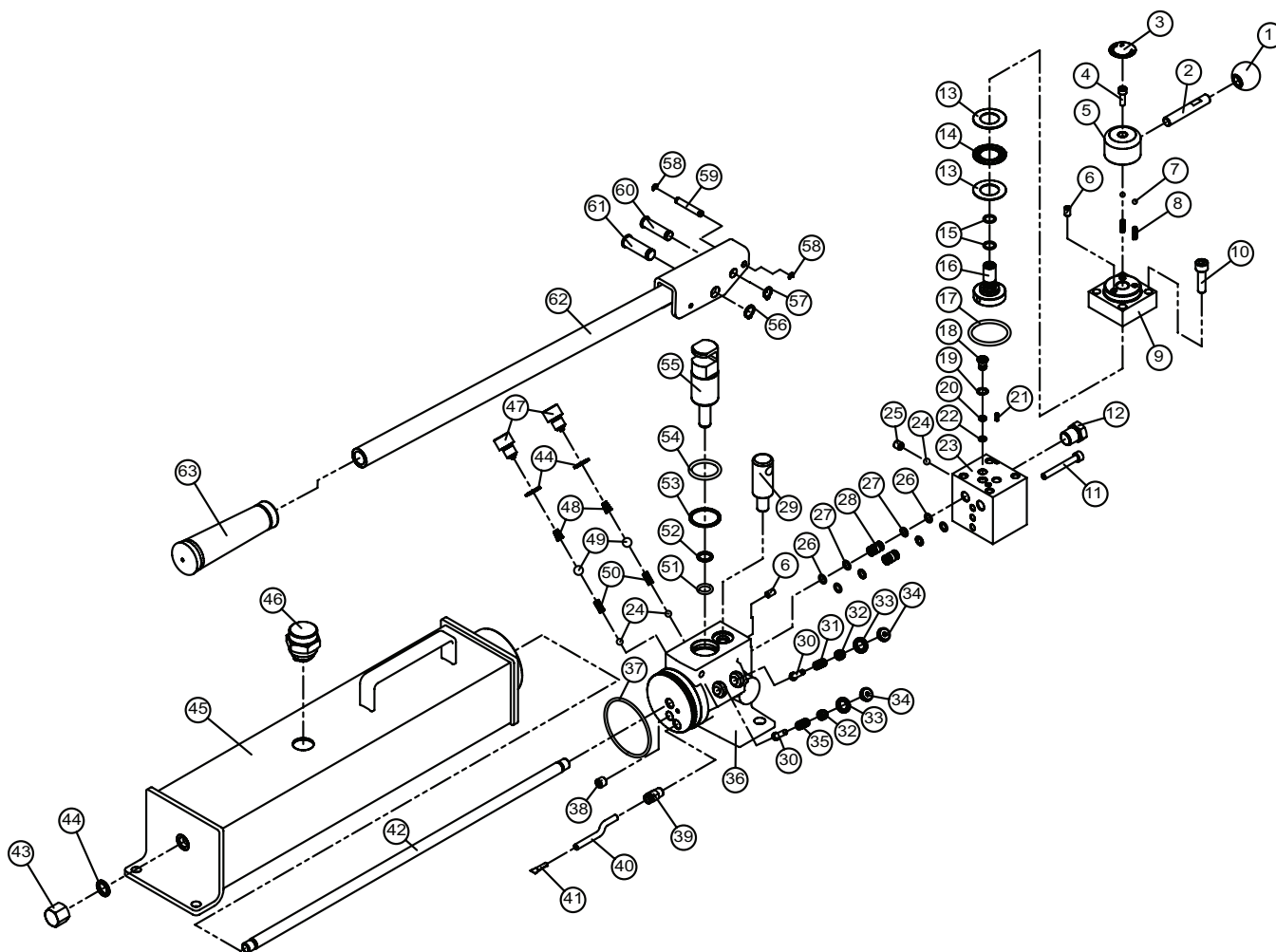
Pièces de rechange de la pompe à main

MODÈLE : P2301M

SFA Companies 10939 N. Pomona Ave. Kansas City, MO 64153
Tél. : 1 888 332-6419 * Télécopieur : 1 816 891-6599
Courriel : sales@bvahydraulics.com Site Web : www.bvahydraulics.com

Remarque : Ce ne sont pas toutes les pièces de la pompe qui peuvent être remplacées, mais elles sont illustrées pour montrer leur emplacement ainsi que leur position pour l'assemblage.

Illustration des pièces



(*) - Ce symbole indique les pièces qui font partie de la trousse de joints et ne peuvent être commandées autrement. Les trousse de joints exigent des habiletés, une formation et de l'équipement pour être utilisées. L'installation doit être effectuée dans un centre de service autorisé. Communiquez avec BVA pour obtenir la liste des centres de service autorisés.

S.O. - Pièce ne pouvant être remplacée.

Remarque : Pour assurer un fonctionnement fiable et sécuritaire, remplacez les pièces usées ou endommagées uniquement par des pièces de rechange autorisées par BVA Hydraulics.

Liste des pièces pour P2301M

Pièce	Numéro de pièce	Description	Qté.
1	E05-6-1008-109	Bouton	1
2	A67-6-1012-106	Poignée	1
3	A67-000001-1100	Étiquette	1
4	649-1-0050-055	Vis	1
5	A67-6-1005-109	Couvercle de soupape de commande	1
6	644-1-0060-071	Vis	2
7	601-7-0006-005	Bille en acier	2
8	512-2-0046-104	Ressort de compression	2
9	A67-6-1009-107	Base de soupape de commande	1
10	649-1-0080-003	Hexagonal	4
11	649-1-0060-205	Hexagonal	3
12	D05-6-1001-106	Joint pour huile	2
13	A67-6-1006-101	Rondelle	2
14	623-6-2542-104	Palier	1
15	*	Joint torique	2
16	A67-6-1003-903	Soupape de commande	1
17	*	Joint torique	1
18	A67-6-1001-202	Oil Outlet Valve	3
19	606-3-0008-101	Rondelle à ressort (rondelle de blocage)	3
20	*	Anneau de rechange	3
21	601-4-0030-095	Goupille	1
22	*	Joint torique	3
23	H53-6-1812-105	Base de soupape	1
24	601-7-0008-009	Bille en acier	3
25	644-1-0080-031	Vis	1
26	*	Joint torique	4
27	*	Anneau de rechange	4
28	H53-6-1810-101	Oil Outlet Tube	2
29	H18-6-2114-200	Colonne de fixation	1
30	A17-6-1216-102	Aiguille de la valve	2
31	512-2-0080-306	Ressort de compression	1
32	A17-5-1603-300	Vis de réglage	2

Pièce	Numéro de pièce	Description	Qté.
33	*	Rondelle spéciale	2
34	414-6-1215-509	Joint pour huile	2
35	512-2-0067-010	Ressort de compression	1
36	S.D.	Base	1
37	*	Joint torique	1
38	641-1-0098-103	Vis	1
39	651-7-0063-007	Adaptateur	1
40	H53-6-1808-104	Oil Tube	1
41	532-8-0040-012	Filtre	1
42	H28-5-4401-106	Tige en acier	1
43	H28-6-4404-106	Écrou	1
44	*	Rondelle	3
45	H28-3-1804-301	Réservoir	1
46	H28-4-1809-105	Air Vent Assy	1
47	A16-6-5006-104	Vis	2
48	552-2-0080-106	Ressort de compression conique	2
49	601-7-0012-000	Bille en acier	2
50	512-2-0063-104	Ressort de compression	2
51	*	Joint torique	1
52	*	Anneau de rechange	1
53	*	Anneau de rechange	1
54	*	Joint torique	1
55	H28-4-4406-108	Piston	1
56	667-5-0120-001	Circlip	1
57	667-5-0100-005	Circlip	1
58	677-5-0040-102	Anneau en E	2
59	H18-5-1318-104	Goupille	1
60	H18-6-1318-100	Goupille	1
61	H18-6-1317-108	Goupille	1
62	H18-3-2100-100	Poignée	1
63	H18-6-2112-105	Prise de la poignée	1
(*)	H28-3-9914-106	Ensemble de joints	-

GARANTIE À VIE LIMITÉE

BVA Hydraulics®, représentée aux États-Unis par SFA Companies [« SFA »] garantit que ce produit est exempt de tout défaut de fabrication ou de matériaux pendant toute sa durée utile, tant qu'il demeure la propriété de l'acheteur original. Cette garantie n'est pas transférable et elle est assujettie aux conditions, exclusions et limitations décrites ci-après :

- Les composants endommagés, y compris, sans en exclure d'autres, les vérins pliés, les parois de vérin enfoncées ou écrasées, les soudures ou raccords brisés ainsi que les joints d'étanchéité, les joints toriques et les ressorts usés qui découlent d'une mauvaise utilisation ne sont pas couverts par la garantie, et BVA Hydraulics n'offrira aucun crédit de garantie pour de tels composants endommagés.
- Cette garantie ne couvre pas l'usure normale, les surcharges, les modifications (y compris les réparations et les tentatives de réparation qui ne sont pas effectuées par BVA Hydraulics ou par des membres du personnel autorisé), l'utilisation inadéquate des fluides, ni l'utilisation du produit d'une manière contraire à ce pour quoi il a été conçu et qui enfreint les instructions ou les mises en garde fournies avec le produit.
- Advenant le cas peu probable où un produit de BVA Hydraulics fait défaut en raison d'un défaut de fabrication ou de matériaux, vous pouvez communiquer avec SFA aux fins de disposition. Dans de tels cas, le seul recours du client pour toute violation ou violation alléguée de cette garantie se limite à la réparation ou au remplacement du produit défectueux.
- BVA Hydraulics ne sera en aucun cas responsable des dommages consécutifs ou accessoires.
- CETTE GARANTIE SE LIMITE AUX PRODUITS NEUFS VENDUS PAR L'ENTREMISE DE DISTRIBUTEURS AUTORISÉS ET D'AUTRES CIRCUITS CHOISIS PAR BVA HYDRAULICS. AUCUN AGENT, EMPLOYÉ OU REPRÉSENTANT DE BVA HYDRAULICS N'EST AUTORISÉ À MODIFIER CETTE GARANTIE.
- CE QUI PRÉCÈDE EST EXCLUSIF ET REMPLACE TOUTE AUTRE GARANTIE EXPRESSE OU IMPLICITE, Y COMPRIS, SANS EN EXCLURE D'AUTRES, LES GARANTIES IMPLICITES DE COMMERCIALITÉ ET D'ADAPTABILITÉ À UN USAGE PARTICULIER.
- Les composants qui ne sont pas fabriqués par BVA Hydraulics, y compris certains systèmes moteurs, les moteurs à essence et autres ne sont pas couverts par cette garantie. Ils sont plutôt couverts par la garantie distincte du fabricant du composant de l'ensemble.
- La responsabilité de BVA Hydraulics se limite dans tous les cas au prix d'achat du produit.



Manual de instrucciones de la bomba manual

MODELOS: P1201, P1201S, P2301, P2301M y P4301

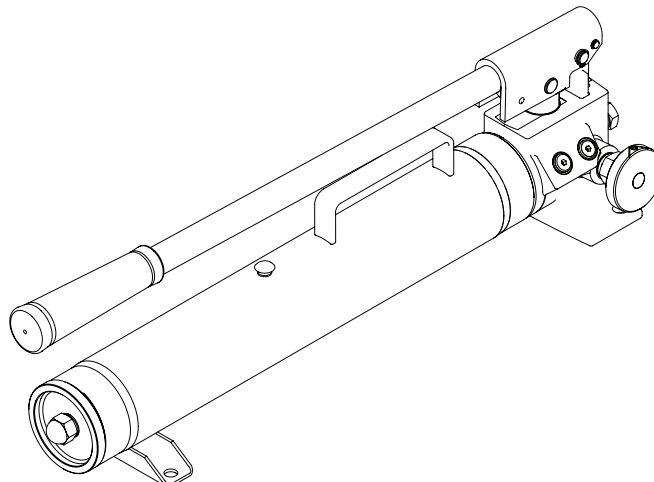
SFA Companies 10939 N. Pomona Ave. Kansas City, MO 64153

Tel.: (888) 332-6419 * Fax: (816) 891-6599

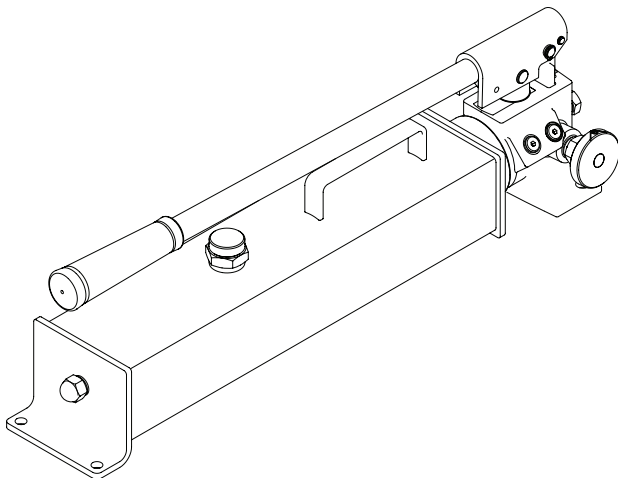
Correo electrónico: sales@bvahydraulics.com

Sitio web: www.bvahydraulics.com

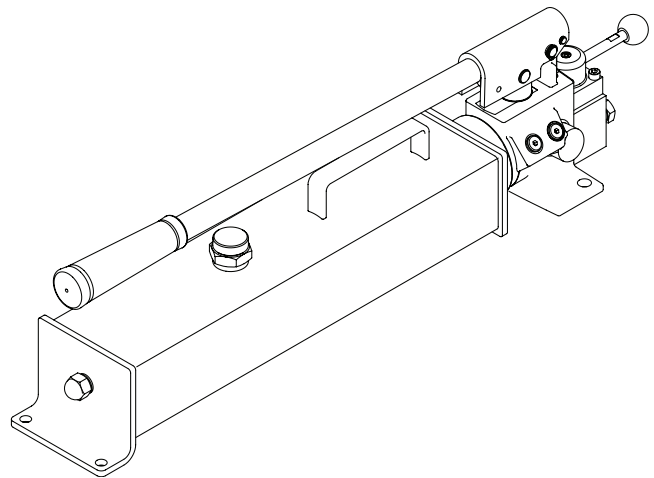
Presión de funcionamiento máxima: 689 BAR



Modelos P1201 y P1201S



Modelos P2301 y P4301



Modelo P2301M



Este es el símbolo de alerta de seguridad. Se usa para alertar sobre peligros potenciales de lesiones personales.

Obedezca todos los mensajes de seguridad que tengan este símbolo, para evitar posibles lesiones personales o la muerte.

INFORMACIÓN GENERAL Y DE SEGURIDAD

Conserve estas instrucciones. Por su seguridad, lea y comprenda la información de este manual. El propietario u operador debe tener conocimientos sobre este producto y los procedimientos de funcionamiento seguro antes de intentar utilizarlo. Las instrucciones y la información de seguridad deben expresarse en la lengua materna del operador antes de recibir autorización para el uso de este producto. Verifique que el operador comprenda en su totalidad los peligros inherentes asociados con el uso y el uso indebido del producto. Si tiene dudas sobre el uso seguro y adecuado de este producto, según se estipula en este manual autorizado de fábrica, proceda a sacarlo de servicio de inmediato.

Inspeccione el producto antes de cada uso. Se recomienda realizar una inspección antes de cada uso a cargo de personal calificado. Asimismo, cualquier pieza faltante o dañada, calcomanía, etiqueta de advertencia/seguridad o letrero debe reemplazarse únicamente con piezas de repuesto autorizadas de fábrica. Cualquier bomba que parezca dañada de alguna manera, esté desgastada, tenga fugas o funcione mal debe sacarse de servicio hasta que puedan realizarse las reparaciones correspondientes. Los propietarios y operadores de este equipo deben tener presente que el uso y la subsiguiente reparación de este equipo podría requerir capacitación y conocimientos especiales.

DESCRIPCIÓN DEL PRODUCTO

Las bombas manuales hidráulicas de BVA están diseñadas para cumplir con la mayoría de las normas de la industria de rendimiento y seguridad. Estas bombas, P1201, P2301, P2301M, y P4301, tienen un exclusivo circuito hidráulico de dos fases, que permite el reemplazo rápido de líquido hidráulico sin carga y el bombeo sencillo con carga. Estas bombas accionadas con palanca suministran líquido hidráulico comprimido a las aplicaciones compatibles; esto es, arietes, prensas, separadores, compactadores y máquinas de pensar, siempre que sea necesaria una presión líquida de 689 BAR. Las tareas específicas podrían requerir habilidades, conocimientos y capacitación especiales, por lo que es posible que el producto no sea apropiado para todos los trabajos descritos arriba. Las aplicaciones inapropiadas incluyen aquellas aplicaciones donde el dispositivo debe desplazarse, nivelarse o soportar a personas, animales, materiales peligrosos, casas rodantes, viviendas en general, espejos o moldes de vidrio y/o acoplar/fijar ventanillas, componentes, etc. entre particiones. Es el usuario quien debe decidir en última instancia si el producto es apropiado para una tarea determinada y asumir la responsabilidad por la seguridad propia y de otras personas en el área de trabajo.

⚠ ADVERTENCIA: Siempre verifique las conexiones antes de su uso. Las modificaciones a estos productos están rotundamente prohibidas. Use solo aquellos adaptadores y accesorios provistos y aprobados por el fabricante.

⚠ ADVERTENCIA: Para reducir el riesgo de lesiones personales o daños a la propiedad, asegúrese de que la presión de trabajo nominal de cada accesorio presurizado sea igual o mayor que la presión de trabajo nominal desarrollada por la bomba hidráulica.

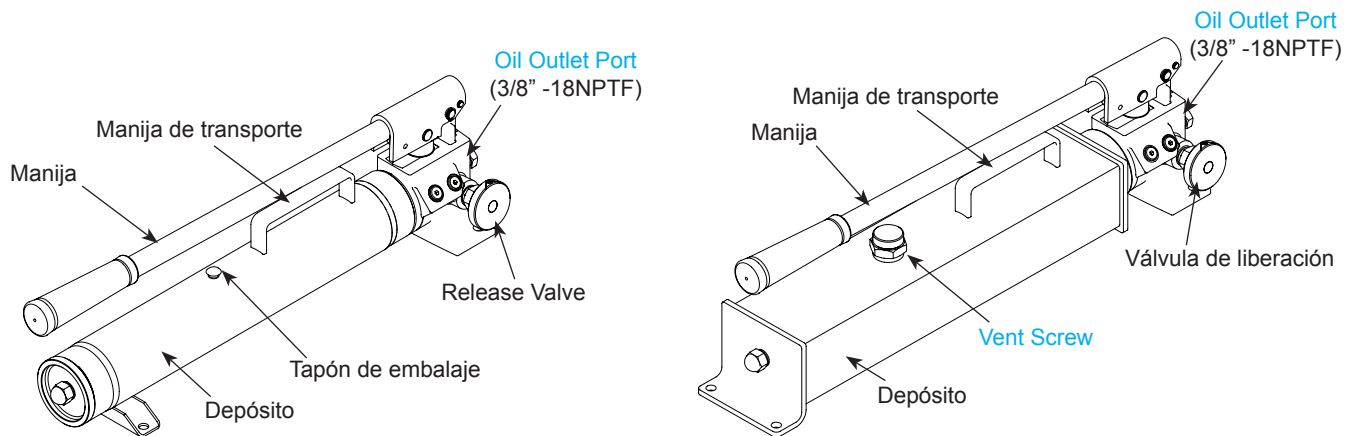


Figura 1 - Modelo P1201 y componentes P1201S

Figura 2 - Modelo P2301 y componentes P4301

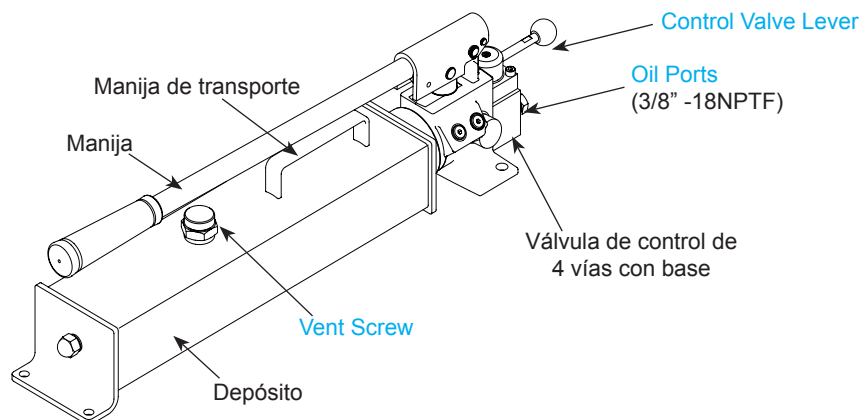


Figura 3 - Modelo P2301M y componentes

ESPECIFICACIONES

Modelo	Capacidad de aceite utilizable (cm³)	Tipo de bomba	Régimen de presión (bar)		Desplazamiento de aceite según recorrido (cm³)		Distancia entre los agujeros de la placa de montaje (cm)	Tamaño de la bomba (largo x ancho x alto)	Peso (kg)
			1.º etapa	2.º etapa	1.º etapa	2.º etapa			
P1201S	1098	Velocidad única				2,13	9,5	58,6 x 13,3 x 17,1	9,07
P1201									9,30
P2301	2098	Dos velocidades	13,8	689,4	13,27	2,29	9	60,9 x 13,5 x 17,3	12,56
P2301M								69,7 x 12 x 17,3	14,65
P4301	4097						9,5	58,1 x 13,5 x 19,5	17,06

⚠ ADVERTENCIA



- Estudie, comprenda y siga todas las instrucciones que vienen con este dispositivo antes de usarlo.
- Se deben obedecer cuidadosamente todas las ADVERTENCIAS para evitar lesiones personales.
- No deben hacerse modificaciones a este dispositivo.
- Siempre use traje de protección cuando opere equipos hidráulicos.
- Mantenga los equipos hidráulicos alejados de las llamas y el calor. El líquido hidráulico puede encenderse y arder. No opere los equipos si detecta fugas.
- **Peligro de aplastamiento.** Mantenga las manos y los pies alejados del área de carga. Evite los pellizcos y las opresiones que puedan surgir a causa de la carga, el cilindro o cualquier equipo del sistema.
- Para evitar lesiones por opresión y otras lesiones: **NUNCA** trabaje sobre, debajo o alrededor de una carga levantada si no cuenta con un soporte adecuado por medios mecánicos apropiados. Nunca confíe únicamente en la presión hidráulica para sostener la carga.

- Utilice solo accesorios y líquido hidráulico aprobados.
- No conecte NINGÚN componente que no esté autorizado por el fabricante.
- Asegúrese siempre de que la aplicación elegida esté estable para trabajar en el lugar y en los alrededores.
- No la conecte a una aplicación que devuelva más aceite al depósito de la bomba de lo que este puede soportar.
- No conecte la bomba a un sistema hidráulico potenciado por otra bomba.
- Este dispositivo no es adecuado para el uso como dispositivo de apoyo. A medida que se levante la carga del sistema, utilice el bloqueo y la criba para proteger el dispositivo y evitar la precipitación de la carga.
- Despeje el área de operarios antes de bajar la carga o despresurizar el sistema.
- Nunca intente desarmar un cilindro hidráulico; consulte con el personal calificado autorizado sobre las reparaciones.

MANGUERAS HIDRÁULICAS Y LÍNEAS DE TRANSMISIÓN DE LÍQUIDO

BOMBAS HIDRÁULICAS

- El usuario debe ser un operador calificado que esté familiarizado con el funcionamiento, mantenimiento y uso correcto de las bombas. La falta de conocimiento en alguna de estas áreas puede ocasionar lesiones personales.
- No exceda la capacidad establecida de la bomba o cualquier equipo en el sistema.
- No intente levantar una carga si pesa más que la capacidad del cilindro.
- No someta a la bomba ni a sus componentes a cargas de impacto.
- Hay riesgo de explosión si la presión de la manguera o conexión excede la presión nominal.
- Inspeccione la bomba, el cilindro, las mangueras y las conexiones antes de cada uso para evitar el surgimiento de condiciones poco seguras. No los utilice si están dañados, alterados o en malas condiciones. No haga funcionar el sistema si los acopladores están doblados o dañados, o las roscas están rotas.
- Nunca sujete ni se pare directamente en línea con cualquier conexión hidráulica durante la presurización.
- Utilice un medidor u otro instrumento de medición de carga para verificar la carga.
- Nunca intente desconectar las conexiones hidráulicas bajo presión. Libere toda la presión de la tubería antes de desconectar las mangueras.

- Evite las extensiones de tubos rectos de escaso tamaño. Las extensiones de tubos rectos no contemplan la expansión ni la contracción debido a los cambios de presión y temperatura.
- Reduzca la presión en tuberías. Las extensiones de tubos de gran tamaño deben fijarse por medio de soportes o sujetadores. Antes de poner en funcionamiento la bomba, ajuste todas las conexiones de la manguera con las herramientas adecuadas. No apriete demasiado. Las conexiones solo deben ajustarse en forma segura para evitar fugas. Si las ajusta en exceso, podrían producirse fallas prematuras en las roscas o explosiones en los accesorios de alta presión.
- En caso de ruptura, explosión o desconexión, por el motivo que fuere, de la manguera hidráulica, cierre la bomba de inmediato y libere toda la presión. Nunca intente sostener una manguera presurizada con fugas con las manos descubiertas. El líquido hidráulico de salida podría lastimarlo.
- No exponga la manguera a peligros potenciales como incendio, objetos filosos, temperaturas extremadamente altas o bajas o impactos fuertes.
- No permita que la manguera se dé vuelta, se tuerza, se enrosque, se aplaste, se corte o se doble con fuerza para evitar bloqueos o reducciones en el flujo de líquido. Inspeccione la manguera periódicamente para verificar que no haya desgaste.
- No tire, posicione ni mueva la instalación desde la manguera.
- El material de la manguera y los sellos del acoplador deben ser compatibles con el líquido hidráulico utilizado. Por otra parte, las mangueras no deben entrar en contacto con materiales corrosivos como ácido de batería, objetos impregnados en creosota ni pintura húmeda. Nunca pinte los acopladores ni las mangueras.
- **SI NO SE RESPETAN ESTAS ADVERTENCIAS, PODRÍAN PRODUCIRSE LESIONES PERSONALES Y DAÑOS A LA PROPIEDAD.**

ANTES DEL USO

1. Antes de usar este producto, lea todo el manual de instrucciones; procure familiarizarse en forma completa con el producto y sus componentes, y reconocer los peligros asociados a su uso.
2. Verifique que el producto y la aplicación sean compatibles. Inspeccione el dispositivo antes de cada uso. No lo utilice si detecta que los componentes están doblados, rotos o presentan fugas.
3. Reemplace las piezas y los conjuntos desgastados o dañados solo con piezas de repuesto autorizadas de BVA Hydraulics (consulte la sección Piezas de repuesto). Lubrique según se indica en la sección de mantenimiento.
4. Asegúrese de que el método de confirmación de la carga sea preciso y funcione adecuadamente. Haga verificar la precisión del medidor o la celda de carga por personal calificado en forma anual.
5. Las bombas deben guardarse en un lugar protegido de los elementos, el polvo abrasivo y los daños. Las bombas pueden guardarse en forma horizontal o vertical.

ARMADO

⚠ ADVERTENCIA: La presión de trabajo máxima de la bomba es de 689 BAR. Asegúrese de que todos los equipos hidráulicos, como cilindros, mangueras, acopladores, etc., utilizados con esta bomba tengan una presión nominal operativa de 689 BAR o más.

1. Preparación de la bomba para el uso:

A) Para los modelos P1201 y P1201S:

Quite el tapón de embalaje y reemplácelo con un tapón de ventilación. Tire del vástago del tapón de purga hacia arriba antes de usarlo; empújelo hacia abajo cuando mueva o guarde la bomba. (consulte la Figura 4).

B) Para los modelos P2301, P2301M y P4301:

Quite la cubierta superior del tornillo de ventilación girándola hacia la izquierda para abrir la ventilación. Gire la cubierta hacia la derecha para cerrar el tornillo de ventilación cuando mueva o traslade el dispositivo. (consulte la Figura 5).

2. Despresurice el sistema; para ello, abra la válvula de liberación con un giro hacia la izquierda (no realice más de 2 giros completos). Luego, quite cuidadosamente el tapón roscado del puerto de salida de aceite y una la conexión 3/8" hidráulica NPTF al puerto de salida de aceite; es decir, el acoplador, el adaptador del medidor, la manguera hidráulica, etc. Asegúrese de que todos los puertos de líquido y las conexiones roscadas estén limpios antes de la conexión.

Para el modelo P2301M:

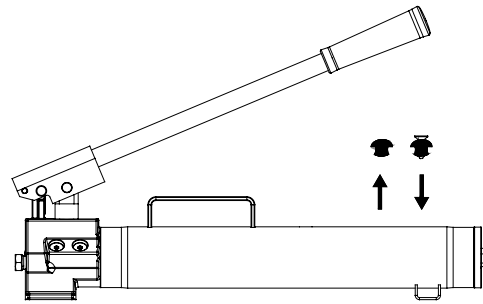
La bomba viene con una válvula de 4 vías para su uso con un cilindro de efecto doble. Conecte ambas mangueras: conecte una manguera del puerto de presión de la bomba al puerto de presión del cilindro; conecte la segunda manguera del puerto de retracción de la bomba al puerto de retracción del cilindro. Si usa un cilindro de efecto único, la válvula debe transformarse en una de 3 vías. Llame al Servicio técnico de BVA Hydraulics al (888) 332-6419.

AVISO: Asegure siempre las conexiones roscadas con compuesto para roscas de tubería que no se endurece. Tenga cuidado de no colocar compuesto en los orificios de los puertos. Apriete bien para evitar que los componentes se salgan accidentalmente mientras están en uso.

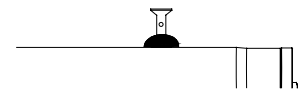
3. Instale un medidor de presión en línea desde la bomba para mayor control y seguridad.

AVISO: Se recomienda usar accesorios, medidores y adaptadores de BVA.

4. Apriete bien para evitar que los componentes se salgan accidentalmente mientras están en uso.
5. Verifique si hay fugas en el sistema y encargue su reparación al personal calificado según sea necesario. Despresurice el sistema hidráulico antes de repararlo.

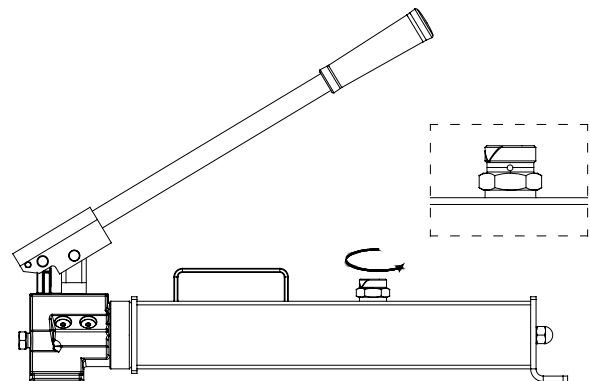


Quite el tapón de embalaje y reemplácelo con el tapón de purga de aire (viene incluido) antes del primer uso.



Tire del vástago hacia arriba antes de usarlo; empújelo hacia abajo cuando mueva o guarde la bomba.

Figura 4: Prepárese para usar las ilustraciones para P1201 y P1201S



Gire la tapa superior hacia la izquierda para abrir la ventilación antes del uso.

Figura 5: Prepárese para usar las ilustraciones para P2301, P2301M y P4301

FUNCIONAMIENTO

⚠ ADVERTENCIA: *Monitoree PERMANENTEMENTE la presión, la carga y la posición con un equipo adecuado. La presión puede monitorearse por medio de un múltiple y un medidor opcionales (consulte con BVA Hydraulics). La carga puede monitorearse por medio de una celda de carga y un indicador digital. El operador del equipo es el único que puede determinar la posición correcta de la aplicación.*

1. Quite el tapón roscado y conecte la bomba a la aplicación correspondiente.
2. Asegúrese de que el nivel de aceite y los accesorios y las conexiones del sistema no tengan fugas antes de hacer funcionar la bomba.
3. La bomba puede utilizarse en posición vertical y horizontal, como se ilustra en la Figura 6.

⚠ PRECAUCIÓN: *NUNCA haga funcionar la bomba con la válvula de liberación cerrada y desconectada de la aplicación. El funcionamiento en estas condiciones hará que la manguera y las conexiones se presuricen. Esto aumenta el riesgo de explosión. Esto podría causar daños en la bomba y sus componentes.*

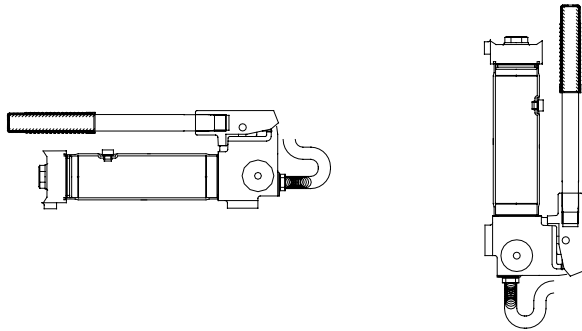


Figura 6: Posición horizontal y vertical

4. Para los modelo(s) P1201, P1201S, P2301 y P4301:

- A. Cierre la válvula de liberación; para ello, gírela a la derecha. Apriétela con la mano ÚNICAMENTE. El uso de herramientas en la válvula de liberación puede dañarla y causar fallas en el funcionamiento de la bomba.
- B. Bombee la manija hasta alcanzar la carga de presión o la posición deseada.
- C. Se mantendrá la presión hasta que se abra la válvula de liberación.
- D. Para retraer la aplicación, gire lentamente la perilla de la válvula de liberación hacia la izquierda (nunca más de 2 giros completos).

5. Para el modelo P2301M:

Use la palanca de la válvula de control para ajustar la dirección del flujo de aceite hidráulico; consulte la Figura 7a. Bombee la manija hasta alcanzar la carga de presión o la posición deseada.

⚠ ADVERTENCIA: *Haga funcionar el cilindro de efecto doble solo cuando ambas mangueras estén conectadas a la bomba. Si un acoplador queda desconectado, la alta presión se acumula detrás de este, lo que puede ocasionar lesiones personales o daños a los equipos.*

AVISO: *Para el uso con un ajuste de 3 vías, como se muestra en la Figura 7b, como en el caso de los cilindros de efecto único, vaya a un centro de servicio autorizado para que le realicen cambios en la válvula y la transformen en una de 3 vías. Llame al Servicio técnico de BVA Hydraulics al 888-332-6419.*

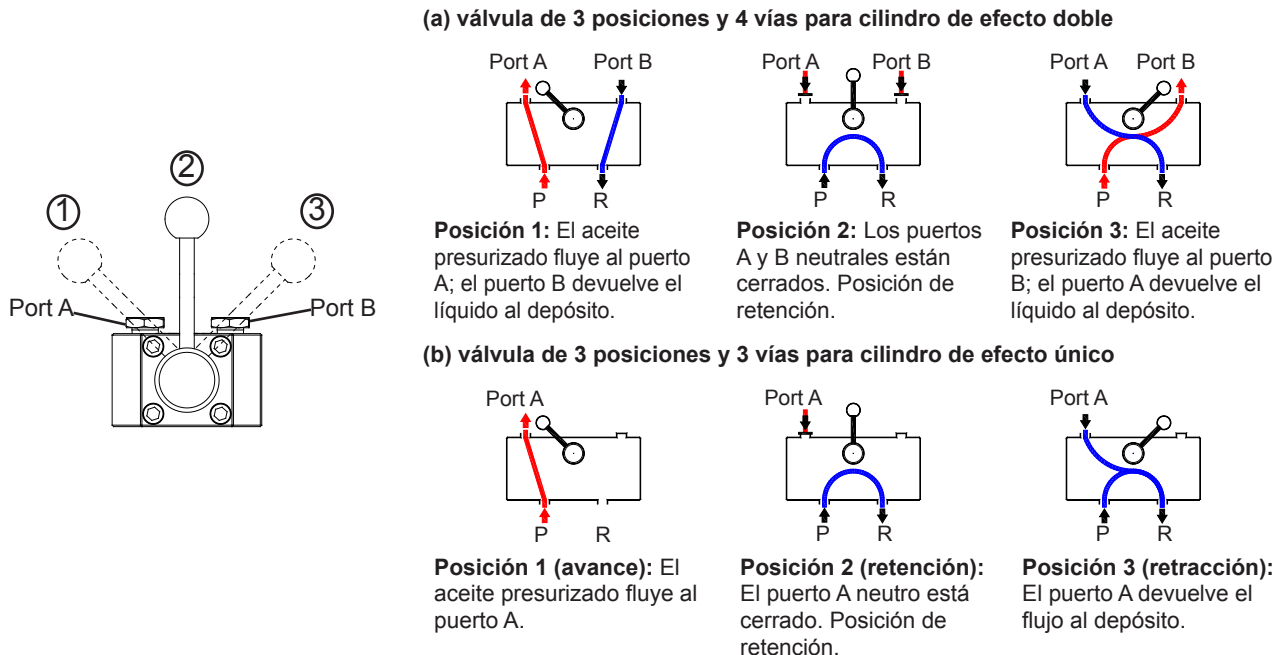


Figura 7 : Trayecto de flujo de las posiciones y operaciones de la válvula para el modelo P2301M.

FUNCIONAMIENTO (cont.)

6. Excluye el modelo P1201S:

Sin carga o condición de 1.º etapa, la bomba opera con un alto flujo para el avance rápido. Cuando hace contacto con la carga, la bomba cambia automáticamente a la 2.º etapa para acumular presión. Cuando la presión de la bomba llega aproximadamente a 200 psi, usted debe dejar de bombear momentáneamente y levantar la manija para pasar a la tapa de alta presión. Una vez hecho el cambio, el bombeo requiere menos esfuerzo.

AVISO: Haga funcionar la manija de la bomba a menor velocidad de la permitida durante la 1.º etapa de alto flujo para asegurarse de que la bomba suministre el máximo volumen de aceite.

MANTENIMIENTO

1. Inspeccione las mangueras y las conexiones diariamente. Reemplace los componentes dañados de inmediato solo con piezas de repuesto de BVA Hydraulics.
2. Ajuste las conexiones si es necesario. Use compuesto para roscas de tubería cuando repare las conexiones.
3. Use solo líquido hidráulico de buena calidad. Recomendamos utilizar un líquido hidráulico de alta calidad. **Nunca** use líquido de frenos, líquido de transmisión, aceite de turbinas, aceite de motor, alcohol, glicerina, etc. El uso de cualquier otro líquido que no sea aceite hidráulico de buena calidad anulará la garantía y dañará la bomba, la manguera y la aplicación.

Agregado de líquido hidráulico

1. Despresurice y desconecte la manguera hidráulica de la aplicación.
2. Con la bomba en posición recta y horizontal, quite el tornillo/tapón de llenado de aceite ventilado ubicado en la parte superior del depósito.
3. Use un embudo pequeño para llenar el depósito hasta 1/4" (6 mm) de la abertura.
4. Limpie el líquido derramado y vuelva a colocar el tornillo/tapón de llenado de aceite ventilado.

Cambio de líquido hidráulico

Para obtener mejores resultados, cambie el líquido una vez al año.

1. Quite el tornillo/tapón de llenado de aceite ventilado y vierta el líquido usado en un recipiente hermético.
2. Deseche el líquido conforme a las reglamentaciones locales.
3. Llene con aceite para gatos hidráulicos de buena calidad, conforme a lo indicado arriba. Vuelva a colocar el tapón/tornillo de llenado de aceite ventilado.

Lubricación

Utilice aceite ligero para máquinas para lubricar los puntos de giro, las bisagras, etc.

Almacenamiento

1. Cuando no estén en uso, despresurice y desconecte las mangueras de la aplicación.
2. Limpie el dispositivo cuidadosamente.
3. Las bombas deben guardarse en un lugar protegido de los elementos, el polvo abrasivo y los daños. Guárdelo en un entorno limpio y seco. Evite las temperaturas extremas.
4. Proteja la bomba con una cubierta protectora.

GUÍA DE LOCALIZACIÓN Y SOLUCIÓN DE AVERÍAS

La siguiente información se proporciona a los fines de determinar si hay algún problema en la aplicación. Las bombas deben ser reparadas únicamente por un centro de servicio BVA autorizado. Si desea recibir servicios de reparación, comuníquese con el centro de servicio de su zona.

Síntoma	Causas posibles	Medidas correctivas
Acción irregular de la aplicación.	<ul style="list-style-type: none"> • Hay aire en el sistema. • Hay una fuga externa. • Hay una fuga hidráulica interna. 	<ul style="list-style-type: none"> • Ventile el sistema. • Apriete todas las conexiones. • Comuníquese con el centro de servicio.
La aplicación no se extiende, no se mueve ni tampoco responde al líquido presurizado.	<ul style="list-style-type: none"> • Hay un estado de sobrecarga. • La válvula de liberación no está cerrada. • Los acopladores/las conexiones están flojos. • Los acopladores/las conexiones están defectuosos. • La bomba no funciona correctamente. 	<ul style="list-style-type: none"> • Solucione el estado de sobrecarga. • Asegúrese de que la válvula de liberación esté cerrada. • Apriete los acopladores/las conexiones. • Reemplace los acopladores/las conexiones. • Comuníquese con el centro de servicio.
La aplicación responde al líquido presurizado, pero el sistema no mantiene la presión.	<ul style="list-style-type: none"> • Hay un estado de sobrecarga. • La válvula de liberación no está cerrada. • La bomba o la válvula no funcionan correctamente. • Hay fugas en la aplicación/conexión. 	<ul style="list-style-type: none"> • Solucione el estado de sobrecarga. • Asegúrese de que la válvula de liberación esté cerrada. • Comuníquese con el centro de servicio. • Reemplace la aplicación/conexión.
La aplicación responde más lentamente que lo normal.	<ul style="list-style-type: none"> • Hay conexiones o acopladores sueltos. • Hay líneas o accesorios hidráulicos restringidos. • Hay fugas en la aplicación/conexión. 	<ul style="list-style-type: none"> • Ajuste las conexiones o los acopladores. • Limpie y reemplace las piezas si están dañadas. • Reemplace la aplicación/conexión.
La aplicación no devuelve el líquido a la bomba (es decir, el cilindro no se retrae).	<ul style="list-style-type: none"> • El acoplador está defectuoso o la aplicación está dañada. • El depósito está lleno en exceso. 	<ul style="list-style-type: none"> • Sujete la carga por otros medios. Abra la válvula de liberación, despresurice la bomba y la manguera, quite el acoplador o la aplicación y cámbielos o reemplácelos. • Sujete la carga por otros medios. Abra la válvula de liberación, despresurice la bomba y la manguera, quite la aplicación y drene el líquido hasta el nivel adecuado.
La capacidad es deficiente.	<ul style="list-style-type: none"> • El nivel de líquido de la bomba está bajo. 	<ul style="list-style-type: none"> • Asegúrese de que el nivel de líquido sea el adecuado.



Piezas de repuesto de la bomba manual

MODELO: P1201S

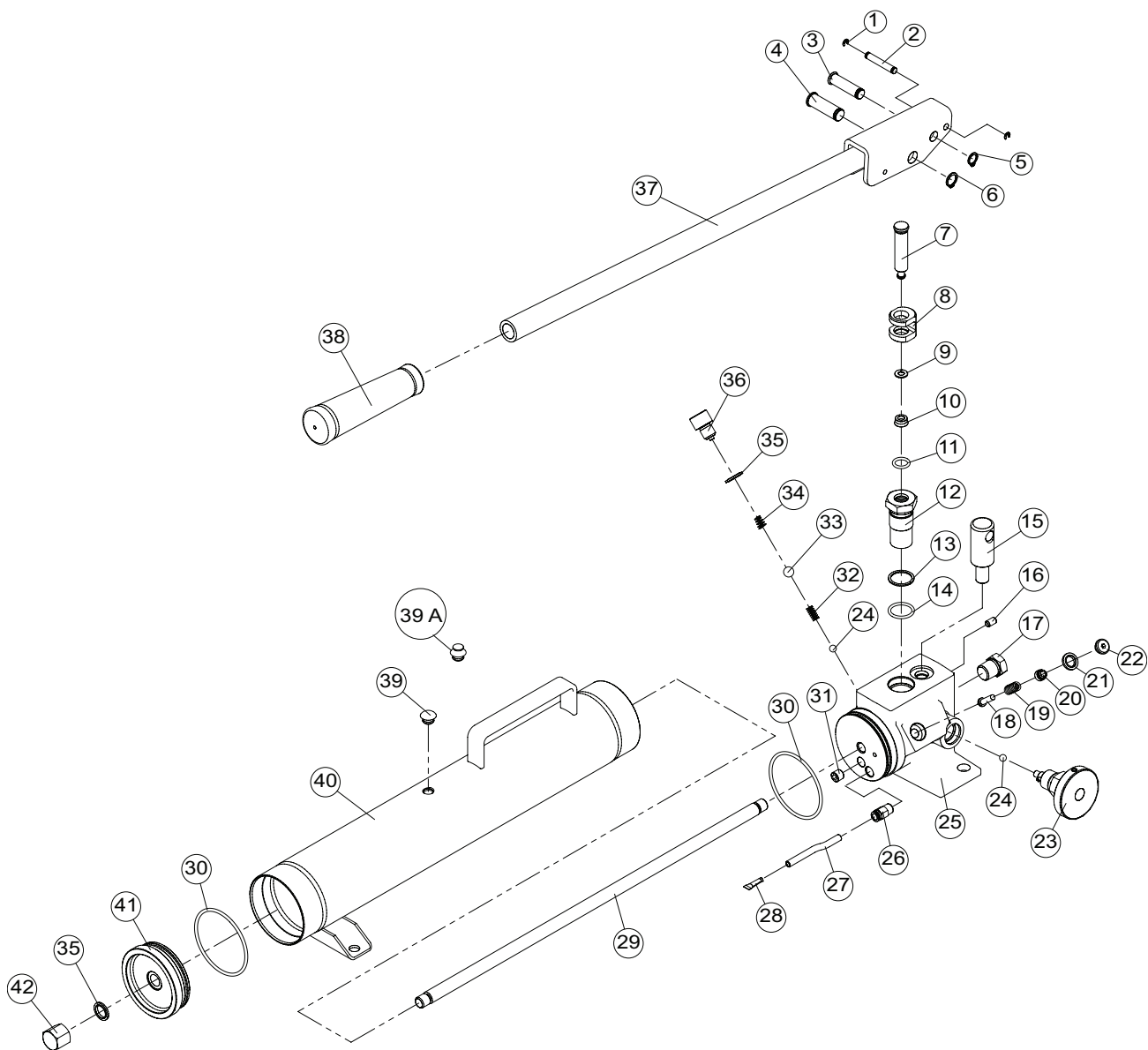
SFA Companies 10939 N. Pomona Ave. Kansas City, MO 64153

Tel.: (888) 332-6419 * Fax: (816) 891-6599

Correo electrónico: sales@bvahydraulics.com Sitio web: www.bvahydraulics.com

Nota: No todos los componentes de la bomba tienen reemplazo, pero se ilustran a modo de referencia práctica de la ubicación y la posición que ocupan en la secuencia del conjunto.

Ilustración de piezas



Nota: Para garantizar un funcionamiento seguro y confiable, reemplace las piezas gastadas o dañadas por piezas de repuesto autorizadas de BVA Hydraulics únicamente.



Piezas de repuesto de la bomba manual

MODELO: P1201S

SFA Companies 10939 N. Pomona Ave. Kansas City, MO 64153
 Tel.: (888) 332-6419 * Fax: (816) 891-6599
 Correo electrónico: sales@bvahydraulics.com Sitio web: www.bvahydraulics.com

Nota: No todos los componentes de la bomba tienen reemplazo, pero se ilustran a modo de referencia práctica de la ubicación y la posición que ocupan en la secuencia del conjunto.

Lista de piezas

Elem.	N.º de pieza	Descripción	Cant.
1	677-5-0040-102	Sujetador E	2
2	H18-5-1318-104	Pasador	1
3	H18-6-1318-100	Pasador	1
4	H18-6-1317-108	Pasador	1
5	667-5-0100-005	Sujetador C	1
6	667-5-0120-001	Sujetador C	1
7	H28-6-1814-100	Pistón	1
8	H28-6-1815-203	Asiento del pistón	1
9	*	Anillo de respaldo	1
10	*	Copa en U	1
11	*	Junta tórica	1
12	H28-6-1813-209	Cilindro de la bomba	1
13	*	Anillo de respaldo	1
14	*	Junta tórica	1
15	H18-6-2114-200	Pilar de fijación	1
16	644-1-0060-071	Tornillo	1
17	D05-6-1001-106	Tornillo	1
18	A17-6-1216-102	Válvula de la aguja	1
19	512-2-0067-010	Resorte de compresión	1
20	A17-5-1603-300	Tornillo de ajuste	1
21	*	Arandela especial	1
22	414-6-1215-509	Tuerca	1

Elem.	N.º de pieza	Descripción	Cant.
23	H28-4-1700-105	Válvula de liberación	1
24	601-7-0008-009	Bola de acero	2
25	N/O	Base	1
26	651-7-0063-007	Adaptador	1
27	H53-6-1808-104	Oil Tube	1
28	532-8-0040-012	Filtro	1
29	H28-6-4401-102	Varilla de acero	1
30	*	Junta tórica	2
31	641-1-0098-103	Tornillo	1
32	512-2-0063-104	Resorte de compresión	1
33	601-7-0012-000	Bola de acero	1
34	552-2-0080-106	Resorte de compresión del bisel	1
35	*	Arandela especial	2
36	A16-6-5006-104	Tornillo	1
37	H18-3-2100-100	Manija	1
38	H18-6-2112-105	Agarre de la manija	1
39	505-9-0092-207	Tapón de embalaje	1
39A	H18-4-4000-102	Air Vent Assy.	
40	H28-3-1803-208	Depósito	1
41	H28-6-1501-101	Tapa de extremo	1
42	H28-6-4404-106	Tuerca	1
(*)	H28-3-9902-109	Kit de aislamiento	1

(*) indica que los elementos solo están incluidos y disponibles como parte del kit de aislamiento. Para usar los kits de aislamiento, es necesario tener equipos, capacitación y habilidades especiales para hacer la reparación. La instalación debe estar a cargo de un centro de servicio autorizado. Comuníquese con BVA para obtener una lista de los centros de servicio autorizados.

N/D: indica que la pieza no está disponible como repuesto.



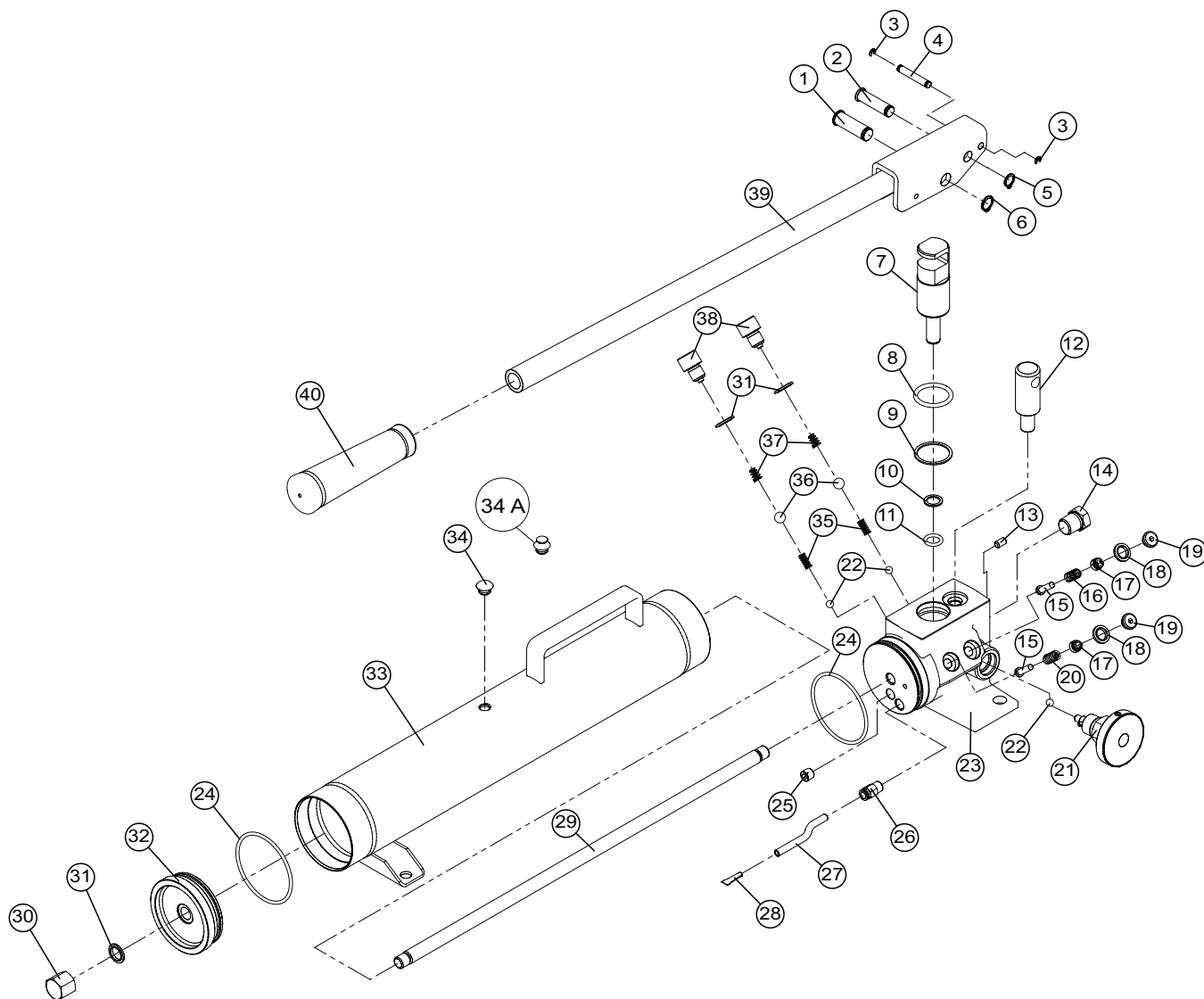
Piezas de repuesto de la bomba manual

MODELO: P1201

SFA Companies 10939 N. Pomona Ave. Kansas City, MO 64153
Tel.: (888) 332-6419 * Fax: (816) 891-6599
Correo electrónico: sales@bvahydraulics.com Sitio web: www.bvahydraulics.com

Nota: No todos los componentes de la bomba tienen reemplazo, pero se ilustran a modo de referencia práctica de la ubicación y la posición que ocupan en la secuencia del conjunto.

Ilustración de piezas



Nota: Para garantizar un funcionamiento seguro y confiable, reemplace las piezas gastadas o dañadas por piezas de repuesto autorizadas de BVA Hydraulics únicamente.



Piezas de repuesto de la bomba manual

MODELO: P1201

SFA Companies 10939 N. Pomona Ave. Kansas City, MO 64153

Tel.: (888) 332-6419 * Fax: (816) 891-6599

Correo electrónico: sales@bvahydraulics.com Sitio web: www.bvahydraulics.com

Nota: No todos los componentes de la bomba tienen reemplazo, pero se ilustran a modo de referencia práctica de la ubicación y la posición que ocupan en la secuencia del conjunto.

Lista de piezas

Elem.	N.º de pieza	Descripción	Cant.
1	H18-5-1317-108	Pasador	1
2	H18-6-1318-100	Pasador	1
3	677-5-0040-102	Sujetador E	2
4	H18-6-1318-104	Pasador	1
5	667-5-0100-005	Sujetador C	1
6	667-5-0120-001	Sujetador C	1
7	H28-4-4406-108	Conjunto del pistón	1
8	*	Junta tórica	1
9	*	Anillo de respaldo	1
10	*	Anillo de respaldo	1
11	*	Junta tórica	1
12	H18-6-2114-200	Pilar de fijación	1
13	644-1-0060-071	Tornillo	1
14	D05-6-1001-106	Sello de aceite	1
15	A17-6-1216-102	Válvula de la aguja	2
16	512-2-0080-306	Resorte de compresión	1
17	A17-5-1603-300	Tornillo de ajuste	2
18	*	Arandela especial	2
19	414-6-1215-509	Sello de aceite	2
20	512-2-0067-010	Resorte de compresión	1
21	H28-4-1700-105	Válvula de liberación	1

Elem.	N.º de pieza	Descripción	Cant.
22	601-7-0008-009	Bille en acero	3
23	N/O	Base	1
24	*	Junta tórica	2
25	641-1-0098-103	Tornillo	1
26	651-7-0063-007	Adaptador	1
27	H53-6-1808-104	Oil Tube	1
28	532-8-0040-012	Filtro	1
29	H28-6-4401-102	Tige en acero	1
30	H28-6-4404-106	Tuerca	1
31	*	Arandela especial	3
32	H28-6-1501-101	Placa de cobertura del depósito	1
33	H28-3-1803-208	Depósito	1
34	505-9-0092-207	Sello de aceite	1
34A	H18-4-4000-102	Air Vent Assy.	
35	512-2-0063-104	Resorte de compresión	2
36	601-7-0012-000	Bille en acero	2
37	552-2-0080-106	Resorte de compresión del bisel	2
38	A16-6-5006-104	Tornillo	2
39	H18-3-2100-100	Manija	1
40	H18-3-2112-105	Agarre de la manija	1
(*)	H28-3-9910-108	Kit de aislamiento	-

(*) indica que los elementos solo están incluidos y disponibles como parte del kit de aislamiento. Para usar los kits de aislamiento, es necesario tener equipos, capacitación y habilidades especiales para hacer la reparación. La instalación debe estar a cargo de un centro de servicio autorizado. Comuníquese con BVA para obtener una lista de los centros de servicio autorizados.

N/D: indica que la pieza no está disponible como repuesto.



Piezas de repuesto de la bomba manual

MODELO: P2301 & P4301

SFA Companies 10939 N. Pomona Ave. Kansas City, MO 64153

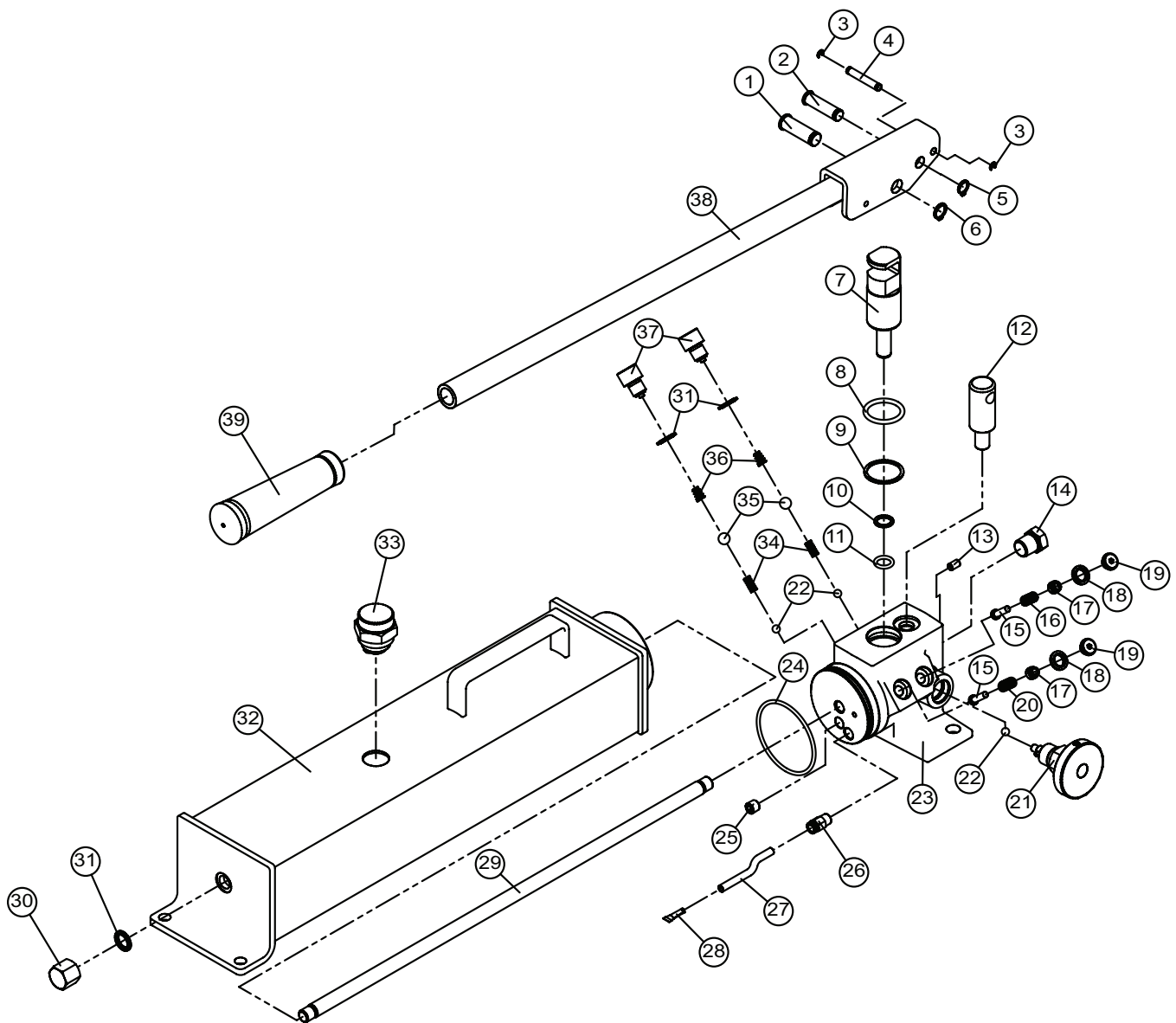
Tel.: (888) 332-6419 * Fax: (816) 891-6599

Correo electrónico: sales@bvahydraulics.com

Sitio web: www.bvahydraulics.com

Nota: No todos los componentes de la bomba tienen reemplazo, pero se ilustran a modo de referencia práctica de la ubicación y la posición que ocupan en la secuencia del conjunto.

Ilustración de piezas



Nota: Para garantizar un funcionamiento seguro y confiable, reemplace las piezas gastadas o dañadas por piezas de repuesto autorizadas de BVA Hydraulics únicamente.



Piezas de repuesto de la bomba manual

MODELO: P2301 & P4301

SFA Companies 10939 N. Pomona Ave. Kansas City, MO 64153

Tel.: (888) 332-6419 * Fax: (816) 891-6599

Correo electrónico: sales@bvahydraulics.com Sitio web: www.bvahydraulics.com

Nota: No todos los componentes de la bomba tienen reemplazo, pero se ilustran a modo de referencia práctica de la ubicación y la posición que ocupan en la secuencia del conjunto.

Lista de piezas

Elem.	N.º de pieza	Descripción	Cant.
1	H18-6-1317-108	Pasador	1
2	H18-6-1318-100	Pasador	1
3	677-5-0040-102	Sujetador E	2
4	H18-6-1318-104	Pasador	1
5	667-5-0100-005	Sujetador C	1
6	667-5-0120-001	Sujetador C	1
7	H28-4-4406-108	Conjunto del pistón	1
8	*	Junta tórica	1
9	*	Anillo de respaldo	1
10	*	Anillo de respaldo	1
11	*	Junta tórica	1
12	H18-6-2114-200	Pilar de fijación	1
13	644-1-0060-071	Tornillo	1
14	D05-6-1001-106	Sello de aceite	1
15	A17-6-1216-102	Clavo	2
16	512-2-0080-306	Resorte de compresión	1
17	A17-5-1603-300	Tornillo de ajuste	2
18	*	Arandela especial	2
19	414-6-1215-509	Sello de aceite	2
20	512-2-0067-010	Resorte de compresión	1
21	H28-4-1700-105	Válvula de liberación	1

Elem.	N.º de pieza para los modelos:		Descripción	Cant.
	P2301	P4301		
22	601-7-0008-009		Bille en acero	3
23	N/O		Base	1
24	*		Junta tórica	1
25	641-1-0098-103		Tornillo	1
26	651-7-0063-007		Adaptador	1
27	H53-6-1808-104		Oil Tube	1
28	532-8-0040-012		Filtro	1
29	H28-5-4401-106	H28-5-4401-102	Barra de acero	1
30	H28-6-4404-106		Tuerca	1
31	*		Arandela especial	3
32	H28-3-1804-301	H28-3-1802-206	Depósito	1
33	H28-4-1809-105		Air Vent Assy	1
34	512-2-0063-104		Resorte de compresión	2
35	601-7-0012-000		Bille en acero	2
36	552-2-0080-106		Resorte de compresión del bisel	2
37	A16-6-5006-104		Tornillo	2
38	H18-3-2100-100	H18-3-2113-107	Manija	1
39	H18-6-2112-105		Agarre de la manija	1
(*)	H28-3-9911-100		Kit de aislamiento	1

(*) indica que los elementos solo están incluidos y disponibles como parte del kit de aislamiento. Para usar los kits de aislamiento, es necesario tener equipos, capacitación y habilidades especiales para hacer la reparación. La instalación debe estar a cargo de un centro de servicio autorizado. Comuníquese con BVA para obtener una lista de los centros de servicio autorizados.

N/D: indica que la pieza no está disponible como repuesto.



Piezas de repuesto de la bomba manual

MODELO: P2301

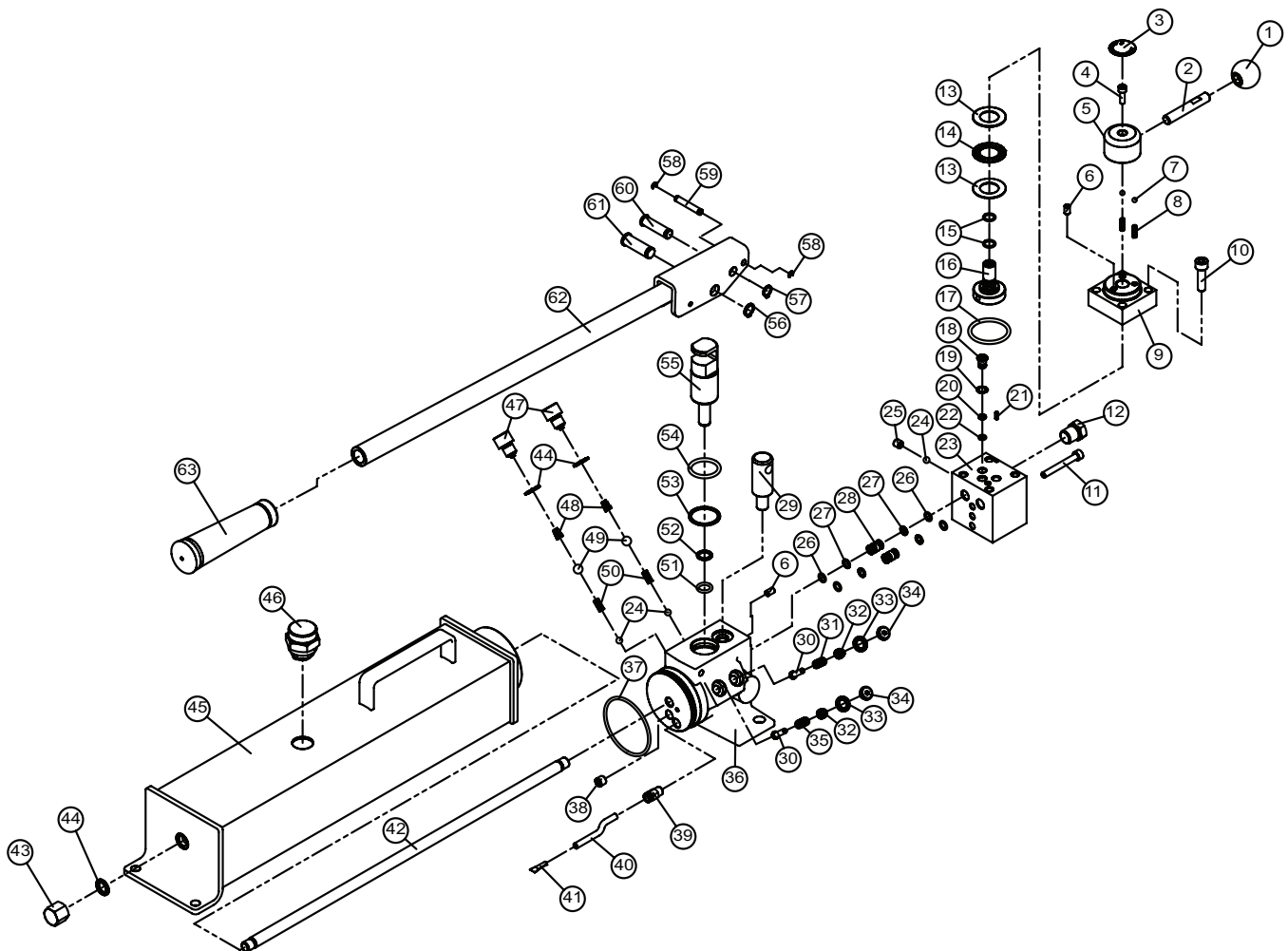
SFA Companies 10939 N. Pomona Ave. Kansas City, MO 64153

Tel.: (888) 332-6419 * Fax: (816) 891-6599

Correo electrónico: sales@bvahydraulics.com Sitio web: www.bvahydraulics.com

Nota: No todos los componentes de la bomba tienen reemplazo, pero se ilustran a modo de referencia práctica de la ubicación y la posición que ocupan en la secuencia del conjunto.

Ilustración de piezas



(*) indica que los elementos solo están incluidos y disponibles como parte del kit de aislamiento. Para usar los kits de aislamiento, es necesario tener equipos, capacitación y habilidades especiales para hacer la reparación. La instalación debe estar a cargo de un centro de servicio autorizado. Comuníquese con BVA para obtener una lista de los centros de servicio autorizados.

N/D: indica que la pieza no está disponible como repuesto.

Nota: Para garantizar un funcionamiento seguro y confiable, reemplace las piezas gastadas o dañadas por piezas de repuesto autorizadas de BVA Hydraulics únicamente.

Lista de piezas para P2301

Elem.	N.º de pieza	Descripción	Cant.	Elem.	N.º de pieza	Descripción	Cant.
1	E05-6-1008-109	Perilla	1	33	*	Arandela especial	2
2	A67-6-1012-106	Manija	1	34	414-6-1215-509	Sello de aceite	2
3	A67-000001-1100	Etiqueta	1	35	512-2-0067-010	Resorte de compresión	1
4	649-1-0050-055	Tornillo	1	36	N/O	Base	1
5	A67-6-1005-109	Cubierta de la válvula de control	1	37	*	Junta tórica	1
6	644-1-0060-071	Tornillo	2	38	641-1-0098-103	Tornillo	1
7	601-7-0006-005	Bille en acero	2	39	651-7-0063-007	Adaptador	1
8	512-2-0046-104	Resorte de compresión	2	40	H53-6-1808-104	Oil Tube	1
9	A67-6-1009-107	Base de la válvula de control	1	41	532-8-0040-012	Filtro	1
10	649-1-0080-003	Perno de cabeza hexagonal	4	42	H28-5-4401-106	Tige en acero	1
11	649-1-0060-205	Perno de cabeza hexagonal	3	43	H28-6-4404-106	Tuerca	1
12	D05-6-1001-106	Sello de aceite	2	44	*	Arandela	3
13	A67-6-1006-101	Arandela	2	45	H28-3-1804-301	Depósito	1
14	623-6-2542-104	Rodamiento	1	46	H28-4-1809-105	Air Vent Assy	1
15	*	Junta tórica	2	47	A16-6-5006-104	Tornillo	2
16	A67-6-1003-903	Válvula de control	1	48	552-2-0080-106	Resorte de compresión del bisel	2
17	*	Junta tórica	1	49	601-7-0012-000	Bille en acero	2
18	A67-6-1001-202	Oil Outlet Valve	3	50	512-2-0063-104	Resorte de compresión	2
19	606-3-0008-101	Arandela del resorte (arandela de seguridad)	3	51	*	Junta tórica	1
20	*	Anillo de respaldo	3	52	*	Anillo de respaldo	1
21	601-4-0030-095	Pasador	1	53	*	Anillo de respaldo	1
22	*	Junta tórica	3	54	*	Junta tórica	1
23	H53-6-1812-105	Base de la válvula	1	55	H28-4-4406-108	Conjunto del pistón	1
24	601-7-0008-009	Bille en acero	3	56	667-5-0120-001	Sujetador C	1
25	644-1-0080-031	Tornillo	1	57	667-5-0100-005	Sujetador C	1
26	*	Junta tórica	4	58	677-5-0040-102	Sujetador E	2
27	*	Anillo de respaldo	4	59	H18-5-1318-104	Pasador	1
28	H53-6-1810-101	Oil Outlet Tube	2	60	H18-6-1318-100	Pasador	1
29	H18-6-2114-200	Pilar de fijación	1	61	H18-6-1317-108	Pasador	1
30	A17-6-1216-102	Válvula de la aguja	2	62	H18-3-2100-100	Manija	1
31	512-2-0080-306	Resorte de compresión	1	63	H18-6-2112-105	Agarre de la manija	1
32	A17-5-1603-300	Tornillo de ajuste	2	(*)	H28-3-9914-106	Kit de aislamiento	-

GARANTÍA LIMITADA DE POR VIDA

BVA Hydraulics®, representado en los Estados Unidos por SFA Companies ["SFA"], garantiza que su producto estará libre de defectos de material y mano de obra durante la vida útil del producto siempre y cuando el dueño del producto sea el comprador original. La garantía no es transferible y está sujeta a los términos, exclusiones y limitaciones descritos a continuación:

- Los componentes dañados; entre otros, las paredes de cilindros abolladas o agrietadas, las piezas soldadas o los acopladores rotos, y los sellos, las juntas tóricas y los resortes desgastados, son el resultado del uso indebido y no están cubiertos por la garantía. BVA Hydraulics no proporcionará ningún crédito de garantía para dichos componentes dañados.
- Esta garantía no cubre: el desgaste normal, la sobrecarga, las alteraciones (como reparaciones o intentos de reparación no realizados por BVA Hydraulics o alguno de sus centros autorizados), el uso de líquido incorrecto, el uso del producto de un modo contrario al estipulado para el producto o el uso del producto en detrimento de las instrucciones o advertencias suministradas con el producto.
- En el caso poco probable de que el producto BVA Hydraulics presente una falla debido a un defecto material de mano de obra, puede ponerse en contacto con SFA para recibir asistencia. En dichos casos, el único recurso con el que cuenta el cliente ante una violación o supuesta violación de la garantía se limita a la reparación o el reemplazo del producto defectuoso.
- BVA Hydraulics no será responsable, en ningún caso, por daños o pérdidas emergentes o incidentales.
- ESTA GARANTÍA SE LIMITA A LOS PRODUCTOS NUEVOS COMERCIALIZADOS POR MEDIO DE DISTRIBUIDORES AUTORIZADOS U OTROS CANALES DESIGNADOS POR BVA HYDRAULICS. NINGÚN AGENTE, EMPLEADO O REPRESENTANTE DE BVA HYDRAULICS TIENE AUTORIZACIÓN PARA MODIFICAR ESTA GARANTÍA.
- ESTA GARANTÍA ES EXCLUSIVA Y SE OFRECE EN LUGAR DE CUALQUIER OTRA GARANTÍA EXPRESA O IMPLÍCITA, LO QUE INCLUYE, ENTRE OTRAS, LAS GARANTÍAS IMPLÍCITAS DE COMERCIALIZACIÓN Y APTITUD PARA PROPÓSITOS ESPECÍFICOS.
- Los componentes no fabricados por BVA Hydraulics, como ciertos sistemas de motores y motores a gasolina, entre otros, no están cubiertos por esta garantía, sino por la garantía del fabricante que viene en el paquete del producto.
- La responsabilidad de BVA Hydraulics es limitada en todos los casos y no superará el precio de compra del producto.

SFA Companies
10939 N. Pomona Ave. Kansas City, MO 64153
Tel: 888-332-6419
E-mail: sales@bvahydraulics.com



SFA Companies
10939 N. Pomona Ave. Kansas City, MO 64153
Tel: 888-332-6419
E-mail: sales@bvahydraulics.com



SFA Companies
10939 N. Pomona Ave. Kansas City, MO 64153
Tel: 888-332-6419
E-mail: sales@bvahydraulics.com

