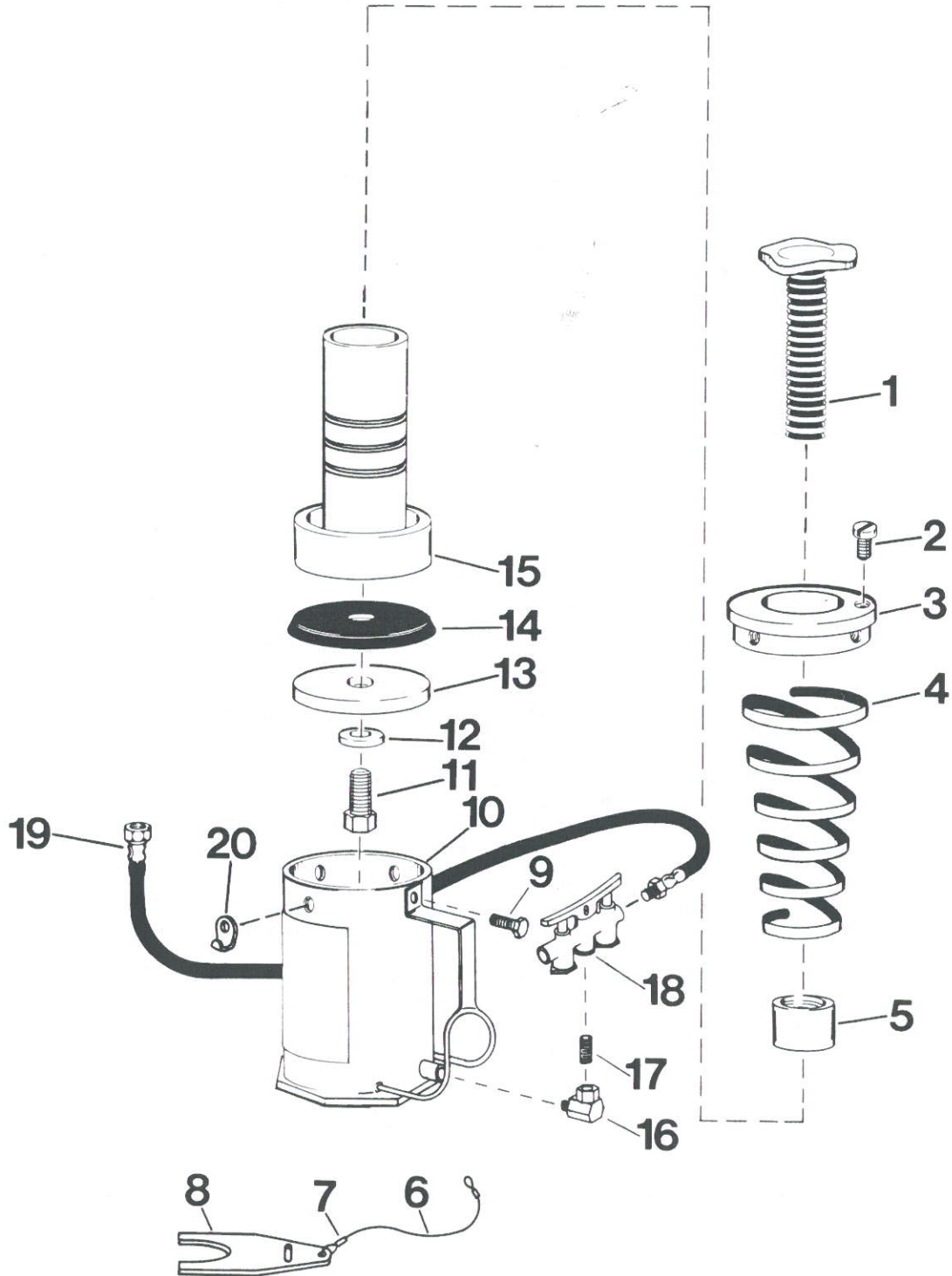


Branick

LIFTING
EQUIPMENT

Repair Parts Information
Air-Operated Alignment Jacks
MODELS ALJ & ALJ-S



Branick[®]

Printed in U.S.A.

REPAIR PARTS

ITEM NO.	PART NO.		NO. REQ'D	DESCRIPTION
	ALJ-S	ALJ		
1	3.802	1.900	1	Screw and Cap Adj.
2	4.096	4.096	1	Pipe Plug
3	50.098	50.098	1	Cover Plate
4	66.110	1.110	1	Spring, Conical Comp.
5	1.055	1.055	1	Nut
6	22.647	22.647	1	Cable
7	3.446	3.446	2	Nicopress Sleeve
8	12.132	12.132	1	Locking Clevis
9	1.028	1.028	4	7/16 NC x .625 - Gr. 5
10	9.828	10.828	1	Cylinder
11	239.028	239.028	1	9/16 NC x 1.25 - Gr. 5
12	240.167	240.167	1	14mm Gasket
13	21.108	21.108	1	Cup Washer
14	26.041	26.041	1	Piston Cup
15	10.855	639.950	1	Piston and Rod Ass'y.
16	48.096	48.096	1	Elbow, 90° St. Swivel
17	13.096	13.096	1	Nipple
18	125.190	125.190	1	Valve
19	1.646	1.646	1	Air Hose
20	113.017	113.017	1	Locking Clevis Hook

COMMERCIAL WARRANTY

This equipment is warranted by BRANICK INDUSTRIES, INC. to the original commercial user-owner against defective materials or workmanship for a period of one year from the date of delivery, except for Models BTJ, EL-200, TRC, ALJ, PHJ, BCL, TTC, DWL, FTB-A/H, FTB-H, FTB-M, EMB-10, EMB-10/PP, TD, and RSL, which are warranted for ninety (90) days. During the warranty period, equipment found to be defective will be repaired or replaced (at the warrantor's option) without charge. The equipment must be returned, transportation charges prepaid, with proof of delivery date to BRANICK INDUSTRIES, INC., Fargo, North Dakota 58102. The repaired or replaced equipment will be returned with transportation charges prepaid by Branick.

This warranty does not cover defects in the equipment caused by ordinary wear and tear, abuse, misuse, overloading, accident (including shipping damage), improper maintenance, alteration, use of improper fluids, or any other cause not the result of defective materials or workmanship.

REPAIR OR REPLACEMENT IS THE EXCLUSIVE REMEDY FOR DEFECTIVE EQUIPMENT UNDER THIS WARRANTY. THIS WARRANTY IS EXPRESSLY IN LIEU OF ALL OTHER WARRANTIES, INCLUDING ANY IMPLIED WARRANTY OF MERCHANTABILITY OR ANY IMPLIED WARRANTY OF FITNESS FOR A PARTICULAR PURPOSE ON THIS EQUIPMENT. BRANICK INDUSTRIES, INC. SHALL NOT BE LIABLE FOR ANY CONSEQUENTIAL OR INCIDENTAL DAMAGES FOR BREACH OF ANY EXPRESS OR IMPLIED WARRANTY ON THIS EQUIPMENT.

WHEN THE QUESTION OF WARRANTY CLAIMS ARISE, CONTACT BRANICK FACTORY AT FARGO, NORTH DAKOTA.

Service parts, warranty, and regular repair service for products are available from Branick.

Should you require assistance, please contact:

BRANICK INDUSTRIES, INC.
2600-3rd Avenue North, Box 1937
Fargo, North Dakota 58107
701-235-4446 TLX 29-2223

BRANICK INDUSTRIES, INC.
2600-3rd Avenue North, Box 1937
Fargo, North Dakota 58107
701-235-4446 TLX 29-2223



Branick®

Printed in U.S.A.