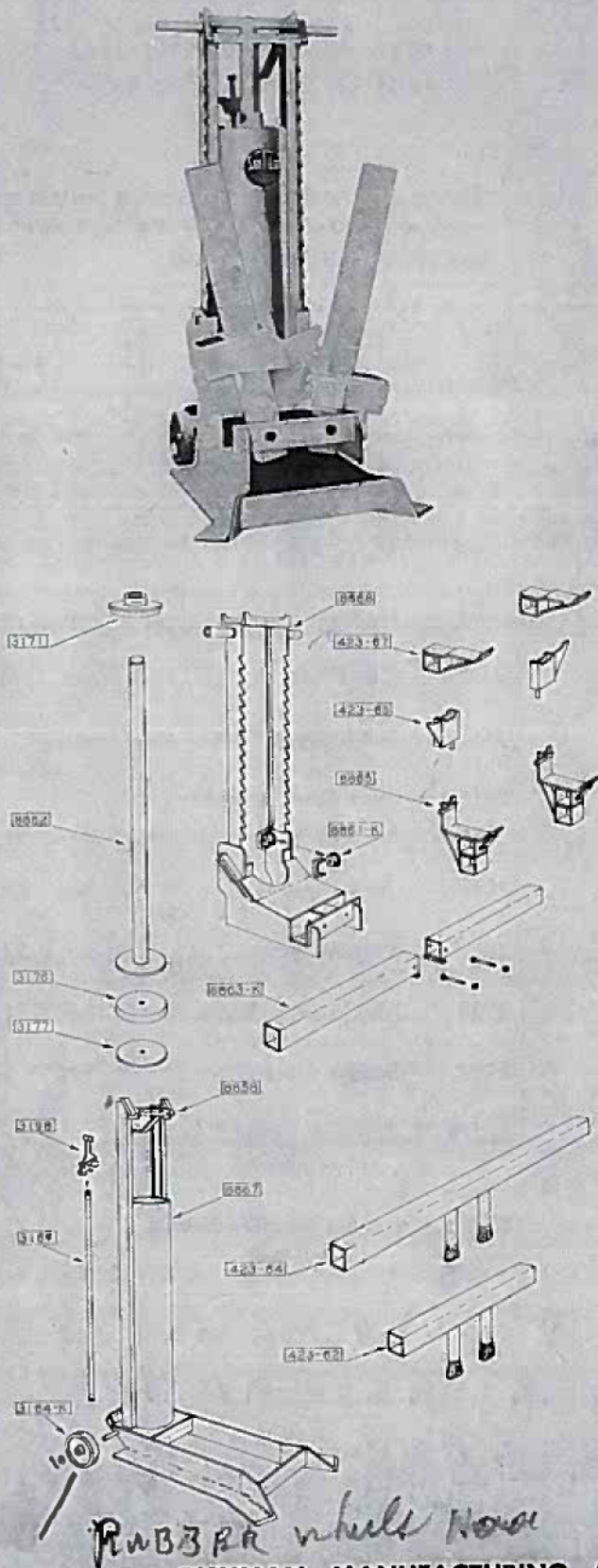


# BISHMAN

## 423 SAV-T-LIFT PARTS

Prices effective October 1, 1962.  
Subject to change without notice.

PLEASE GIVE MODEL AND SERIAL NUMBER OF  
YOUR MACHINE WHEN ORDERING PARTS OR  
REQUESTING INFORMATION.



PART NO.	DESCRIPTION	U. S. DEAL PRIC
3164K	Wheels (2 required)	ea. \$ 3.95
3167	Valve Pipe	ea. 3.50
3171	Aluminum Head	ea. 4.50
3176	Hi-Car Cup Seal	ea. 4.85
3177	Cup Plate	ea. 2.90
3198	Kingston Valve	ea. 11.50
8858	Safety Dog Lock Assy.	ea. 9.75
8861K	Bearing - Carriage Roller (4 required)	ea. 4.85
8862	Piston - Pipe Ram	ea. 9.50
8862K	Piston Assembly complete includes Parts 8862 - 3176 - 3177	ea. 16.50
8863	Saddle Arms (2 required)	ea. 6.25
8865	Saddles (2 required)	ea. 8.75
8867	Tube Barrel & Stand	94.50
8868	Safety Ratchet & Carriage	142.50
423-62	26" T-Bar Adaptor	ea. 12.95
423-64	52" T-Bar Adaptor	ea. 19.95
423-65	Compact Adaptor	Pair 7.95
423-67	Wide Bumper Adaptor	Pair 10.95

BISHMAN MANUFACTURING COMPANY / Route 2 / Osseo, Minnesota