



STANDARD MODELS

SS543E

D-1513 (3 TON) D-1533 (8 TON)
D-1523 (5 TON) D-1543 (12 TON)
D-1553 (20 TON)

HI RANGE MODELS

D-1518 (3 TON) D-1538 (8 TON)
D-1528 (5 TON) D-1548 (12 TON)

1964

PROPER USE

1. Center the cap under the load.
2. Whenever possible have the jack lift in a perpendicular position. Lifting at an angle will place an excessive side strain on the ram.
3. Do not push the load off the jack.
4. Always use axle stands to support vehicle before making under-vehicle repairs.

OPERATING INSTRUCTIONS

A. TO OPERATE

1. Open release valve and pump handle several times. This will eliminate any airbound condition that may have occurred during shipment.
2. Engage the slotted end of the handle with the head of the release screw.
3. Close release valve by turning to right.
4. Insert handle in handle socket and operate the pump.

B. IF JACK WILL NOT OPERATE

1. Release valve may be open -- Turn to right to close.
2. No oil in reservoir -- With jack in closed position, place in upright position and add Hydraulic Jack Oil through Filler Plug until oil is level with Filler Hole. DO NOT USE ALCOHOL, GLYCERINE, BRAKE FLUID, THICK OR DIRTY OIL.
3. Intake and pressure valves may be held open by foreign matter -- Use operating instructions A-1.
4. Jack will not operate on side -- Jack may have been placed on wrong side. The side to which the handle socket is attached must be down.
5. Too much oil in reservoir -- Too much oil is liable to cause a vacuum bound jack. The oil should be brought to the level of the Filler Plug.

C. IF JACK WILL RAISE TO LOAD BUT WILL NOT LIFT IT

1. Release screw may be closed tight enough to raise

ram, but not closed tight enough to lift load.

2. Ram may be at extended height -- Shim jack up.
3. Ram cup may have become injured or porous, allowing oil to pass it.
4. Air under ram -- When there is a quantity of air under the ram, the ram will raise until it hits the load, then it will stay there until there has been sufficient number of pump strokes to compress this air to the proper pressure to lift the load. If this happens, turn jack upside down with ram extended, open release screw and close jack completely. This will cause air to return to oil reservoir.
5. Sticky valves -- Empty all oil from reservoir and refill with gasoline or naphtha. Flush as recommended in operating instructions A-1. Then fill with new Hydraulic Jack Oil.

D. IF JACK WILL NOT HOLD LOAD

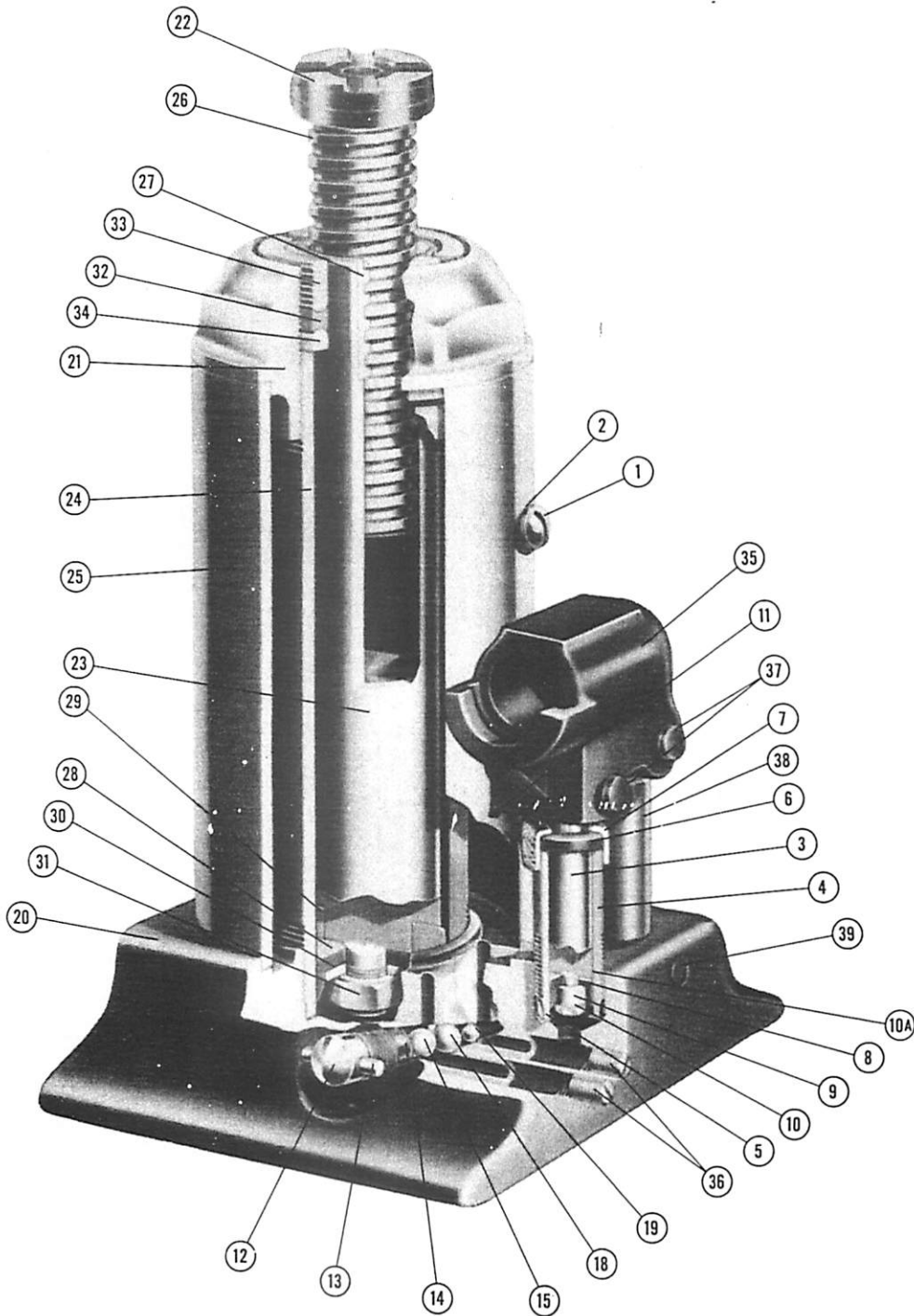
1. Release valve may not be tight enough.
2. Ram cup may have become injured, allowing oil to pass it.
3. Ball valves may not be seated properly -- Flush off as prescribed in operating instructions A-1. The construction of this jack makes the ball valves readily accessible for cleaning. Remove release screw. Remove valves by tipping the jack forward and catching these parts in the hand or a container, place jack on back side with label up to avoid loss of oil. After washing ball valves in kerosene, assemble in reverse order. Replace ball if flat spots or pitted surfaces are found.

MAINTENANCE INSTRUCTIONS

1. Refill only with recommended Jack Oil. Never use a substitute.
2. Use every precaution to prevent entrance of dirt when refilling jack.
3. Store in upright position in a dry place.
4. When stored, the ram should be lowered completely - the pump piston should be in lowest position and the release valve should be closed.

LUBRICATION INSTRUCTIONS

1. Oil all moving parts periodically.
2. Grease should be used on exposed parts if jacks are constantly used under wet conditions.



NOTICE - Replacement parts should be ordered from your nearest Franchised Service Depot or the manufacturer, 643 Graves Street, St. Joseph, Michigan. See back page for Franchised Service Depots.

WARRANTY

These Jacks are fully guaranteed against defective material and workmanship when submitted or shipped prepaid to the nearest franchised service depot or the factory, ninety days from the date of delivery to the user. This warranty does not cover jacks that have been altered or attachments added to them which are not recommended by the manufacturer. The use of hydraulic brake or shock absorber fluid, alcohol, Kerosene or other deleterious fluids voids this warranty as does improper use of jacks through overloading or any other abusive practice or accident.

ITEM NO.	NAME OF PART	D-1513-18	D-1523-28	D-1533-38	D-1543-48	D-1553
1	Filler Screw*	D-2001	D-2001	D-2001	D-2001	D-2001
2	Filler Screw Washer*	D-2015	D-2015	D-2015	D-2015	D-2015
3	Pump Piston*	D-2043	D-2043	D-2043	D-2043	D-2043
4	Pump Cylinder	D-2044A	D-2044A	D-2044A	D-2044A	D-2044A
5	Piston Cylinder Washer*	D-2027	D-2027	D-2027	D-2027	D-2027
6	Pump Wiper*	D-2058	D-2058	D-2058	D-2058	D-2058
7	Piston Packing Nut	D-2029	D-2029	D-2029	D-2029	D-2029
8	Piston Cup*	D-2032C	D-2032C	D-2032C	D-2032C	D-2032C
9	Piston Cup Ret. *	D-2033C	D-2033C	D-2033C	D-2033C	D-2033C
10	Piston Cup Nut*	D-2014	D-2014	D-2014	D-2014	D-2014
10A	Piston Cup Washer*	D-2031	D-2031	D-2031	D-2031	D-2031
11	Cotter Pin (2)*	D-2016	D-2016	D-2016	D-2016	D-2016
12	Release Screw	D-2057S	D-2057S	D-2057S	D-2057S	D-2057S
13	Release Screw Pin	D-2051	D-2051	D-2051	D-2051	D-2051
14	"O" Ring 5/16 x 7/16*	D-2099-6	D-2099-6	D-2099-6	D-2099-6	D-2099-6
15	Valve Ball 13/32 Dia. *	D-2075	D-2075	D-2075	D-2075	D-2075
18	Valve Ball 5/16 Dia. *	D-2070	D-2070	D-2070	D-2070	D-2070
19	Valve Ball 7/32 Dia. *	D-2074	D-2074	D-2074	D-2074	D-2074
20	Base	D-2401C	D-2601C	D-2801C	D-3001C	D-3201A
21	Reservoir Head	D-2502A	D-2702A	D-2902B	D-3102B	D-3202
22	Ram Head	D-2404A	D-2604A	D-2804A	D-2804A	D-3204
23	Ram (Standard)	D-2405	D-2605	D-2805	D-3005	D-3205
	Ram (HiRange) "B" Series	D-2505	D-2705	D-2905**	D-3105	
	Ram (HiRange) "C" Series			10-10305**		
24	Ram Cylinder (Standard)	D-2413	D-2613	D-2813	D-3013	D-3213
	Ram Cyl.(HiRange)"B" Series	D-2513	D-2713	D-2913**	D-3113	
	Ram Cyl.(HiRange)"C" Series			10-10306**		
25	Reservoir (Standard)	D-2423	D-2623	D-2823	D-3023	D-3223
	Reservoir (HiRange)"B" Series	D-2523	D-2723	D-2923**	D-3123	
	Reservoir (HiRange)"C" Series			10-10307**		
26	Extension Screw	D-2428	D-2628	D-2828	D-3028	
27	Extension Screw Bushing	D-2433	D-2633	D-2933	D-3033	
28	Ram Cup	D-2434A	D-2634A	D-2834A	D-3034A	D-3234
29	Ram Spacer	D-2435A	D-2635A	D-2835A	D-3035A	D-3235A
30	Ram Cup Retainer	D-2436	D-2636	D-2836	D-3036	D-3236
31	Ram Cup Nut	D-2237	D-2637	D-2637	D-2637	D-2637
32	Ram Packing*	D-2438B	D-2638B	D-2838B	D-3038B	D-2099-33
33	Ram Packing Nut	D-2439B	D-2639B	D-2839A	D-3039A	
34	Ram Packing Washer	D-2446B	D-2646B	D-2846A	D-3046A	
35	Handle Socket	D-2555A	D-2555A	D-2555A	D-2555A	D-2555P
36	Drill Plug (2)	D-2005	D-2005	D-2005	D-2005	D-2005
37	Hdl. Socket Link Pin (2)	D-2845	D-2845	D-2845	D-2845	D-2845
38	Link - Piston	D-2547	D-2547	D-2547	D-2547	D-2547
39	Link Pin	D-2848A	D-2848A	D-2848A	D-2848A	D-3248
	Label	10-10732	10-10733	10-10734	10-10735	10-10736
	Carrying Handle				D-3050	SA-3250
	Cap Screw				D-3051A	
	Handle	19-10705	19-10705	19-10705	19-10705	19-10705
	Repair Kit	5-532	5-535	5-538	5-541	5-543
	Tag (HiRange)"B" Series Plus Label	10-10821	10-10822		10-10824	
	Tag (HiRange)"C" Series Plus Label			10-10823		
	Piston Assembly	SA-2043	SA-2043	SA-2043	SA-2043	SA-2043
	Pump Assembly	SA-2044A	SA-2044A	SA-2044A	SA-2044A	SA-2044A
	Rel. Screw Assembly	SA-2057S	SA-2057S	SA-2057S	SA-2057S	SA-2057S
	Ram Assembly (Standard)	SA-2405	SA-2605	SA-2805	SA-3005	SA-3205
	Ram Asmbly.(HiRange)"B"Series	SA-2505	SA-2705	SA-2905	SA-3105	
	Ram Asmbly.(HiRange)"C"Series			19-10511		
	Extension Screw Assembly	SA-2428	SA-2628	SA-2828	SA-3028	

*These parts included in Repair Kit.

**In ordering these parts - specify actual length.