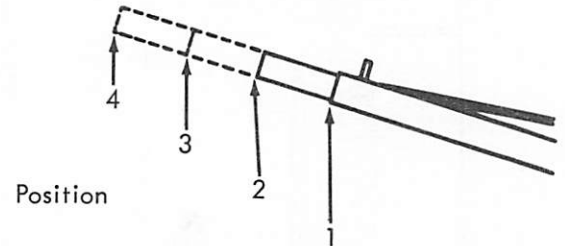


MODEL A10-25
CAPACITY 2 TON
DATE NOVEMBER 1966

BOOM CAPACITY CHART

Position	Capacity 2 Ton Model
1	4000 lbs.
2	3000 lbs.
3	1500 lbs.
4	1300 lbs.



SERVICE INSTRUCTIONS FOR PROPER MAINTENANCE

PROPER USE

1. Use crane on level surface wherever possible.
2. Do not overload crane. Lifting capacities at various boom positions indicated on Boom Capacity Chart, above.
3. Release the load slowly by loosening release knob.

OPERATING INSTRUCTIONS

A. TO OPERATE

1. Open release valve (large screw with pin running through it that protrudes from base of pump assembly) by turning screw to left. Pump handle several times. This will eliminate any airbound condition that may occur during shipment.
2. Close release valve by turning to right (clockwise).

B. IF CRANE PUMP ASSEMBLY WILL NOT OPERATE

1. Release valve may be open -- turn to right to close.
2. Check oil level in reservoir. If level is low refill until oil is level with filler hole. (use only Hydraulic Jack Oil).
3. Intake and pressure valves may be held open by foreign matter. Correct per Paragraph A-1.
4. Too much oil in reservoir may cause a vacuum bound crane. Oil should be at level of filler plug.

C. IF CRANE WILL NOT LIFT LOAD

1. Release valve may not be closed tight enough. Check by turning to right (clockwise direction).

2. Ram cup may have become injured or porous, allowing oil to pass it. Check and replace if required.
3. Sticky valves. Empty all oil from reservoir, refill with gasoline or naphtha, then flush as outlined in Paragraph A-1 of Operating Instructions. Refill with new Hydraulic Jack Oil.

D. IF CRANE WILL NOT HOLD LOAD

1. Release valve may not be tight enough. Turn valve to right to tighten (clockwise direction).
2. Ram cup may have become injured, allowing oil to pass it. Check and replace if required.
3. Steel ball valves may not be seated properly. Correct as outlined in Paragraph A-1 of Operating Instructions.

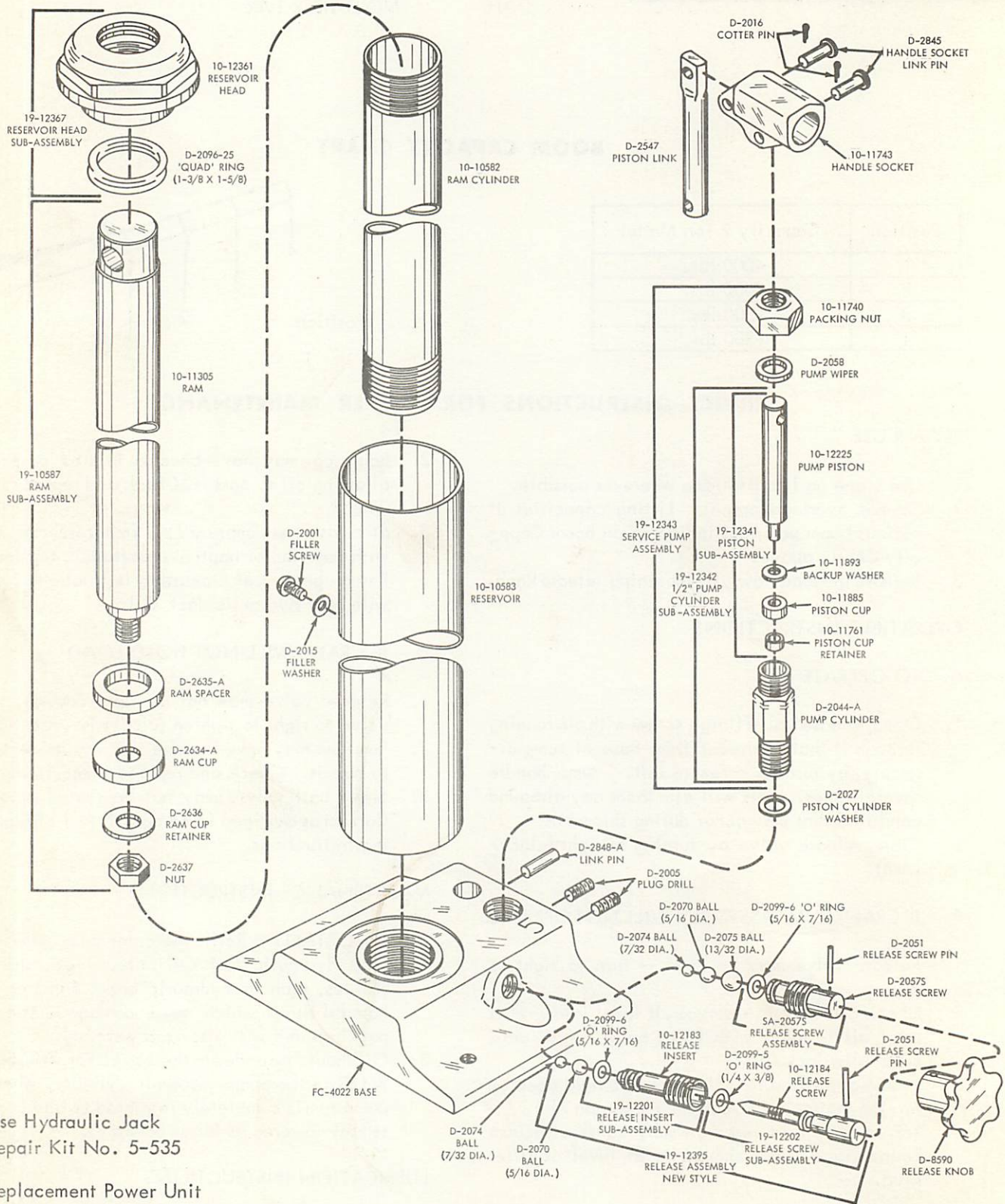
MAINTENANCE INSTRUCTIONS

1. IMPORTANT -- Refill the crane pump power unit with Hydraulic Jack Oil only. Never use substitutes, such as hydraulic brake fluid or other harmful fluids which cause damage to cups and packings and will also void warranty.
2. Oil should be added to the LEVEL OF THE FILLER PLUG in the pump reservoir cylinder, when the pump ram is completely retracted (with boom assembly lowered as far as possible).

LUBRICATION INSTRUCTIONS

1. For added service life and ease of operation, lubricate wheels and hinge points frequently.
2. Grease should be used on exposed parts if cranes are constantly used under wet conditions.

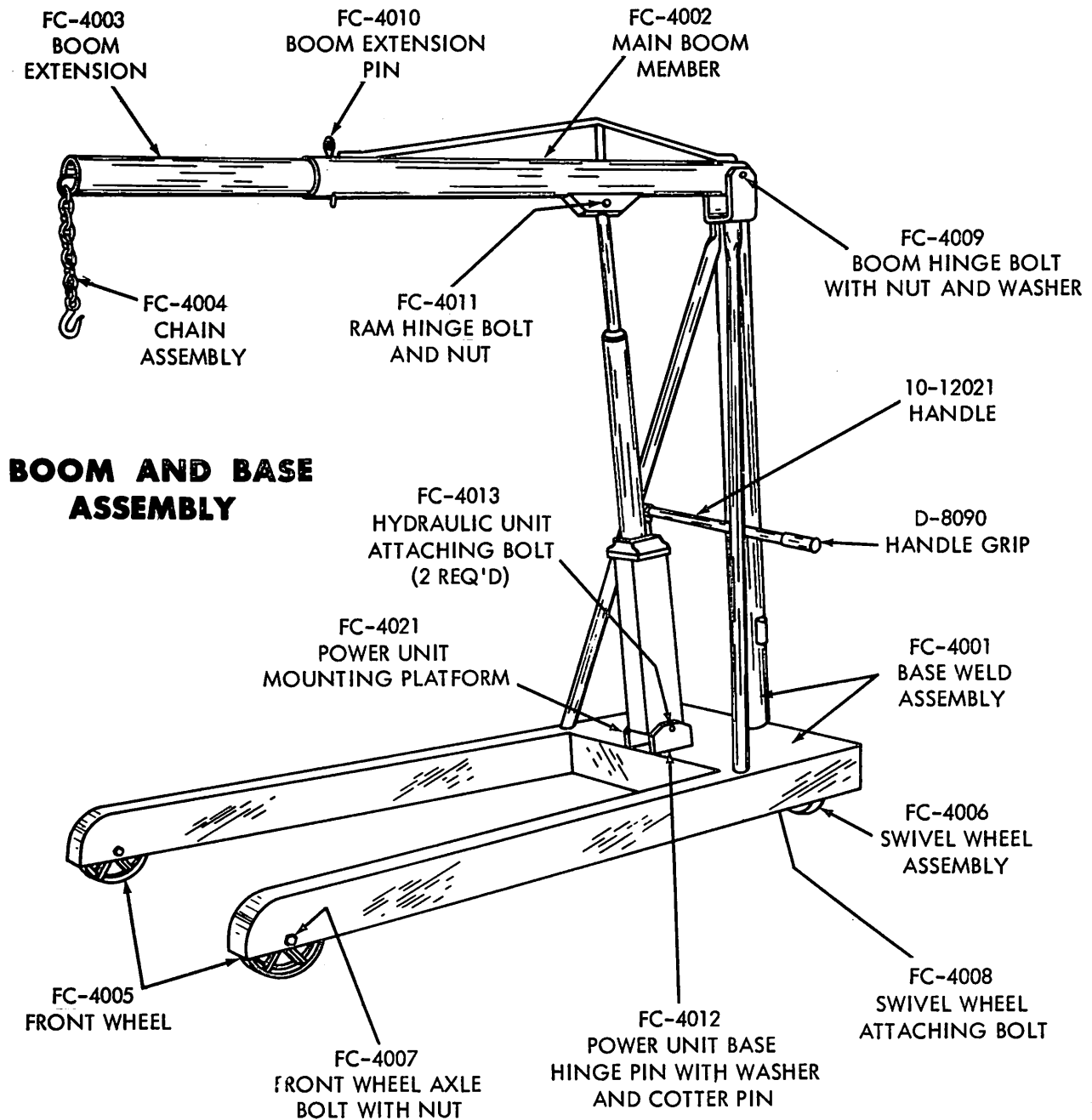
HYDRAULIC UNIT



Use Hydraulic Jack
Repair Kit No. 5-535

Replacement Power Unit

Ausco A19-10580
Dreadnaut D10-10580
Unpainted 19-10580



WARRANTY

These Cranes are fully guaranteed against defective material and workmanship when submitted or shipped prepaid to the nearest franchised service depot, ninety days from the date of delivery to the user. This warranty does not cover cranes that have been altered or attachments added to them which are not recommended by the manufacturer. The use of hydraulic brake or shock absorber fluid, alcohol, Kerosene or other deleterious fluids voids this warranty as does improper use of cranes through overloading or any other abusive practice or accident.

FRANCHISED SERVICE DEPOTS

1-15-67

Alabama	Hydraulic Service Co., 3000 Fourth Avenue, So. Southern Jack Co., 615 N. Ninth Street	Birmingham 35222 Birmingham 35203	Nebraska	G & W Engine and Hydraulic Inc., 1116-18 Jackson Street Omaha Hyd. Service, 4526 So. 24th St.	Omaha 68102 Omaha 68107
Alaska	Alaska Hydraulic Service Inc., 3508 Minnesota Dr.	Anchorage 99503	New Jersey	Metro Hydraulic Jack Co., 52 Elm St., Cor. N. J. R. Ave.	Newark 07105
Arizona	Hydraulic Sales & Service, 3837 E. 40th Street Jacks Inc., 2245 East Washington Street	Tucson 85713 Phoenix 85034	New Mexico	Pound Safety Service Corp., 412 Marble, N.W.	Albuquerque 87102
Arkansas	Hydraulic Maintenance Co., Conway Pike & Central Dr.	N. Little Rock 72118	New York	Ace Hydraulic Service, Inc., 1201 Burnet Avenue Albany Hyd. & Lube Service, Columbia Turnpike, P.O. Box 14	Syracuse 13203 Rensselaer 12144
California	Kimmerle Brothers, 2300 S. Hill Street Kimmerle Brothers, 226 Eleventh Street Kimmerle Brothers, 2230 Inyo Street L & G Specialties, 207 "O" Street Sam Pedler Hydraulic Jack Service, 2169 National Ave.	Los Angeles 90007 San Francisco 94103 Fresno 93721 Sacramento 95814 San Diego 92113 Denver 80204 Denver 80204		Buffalo Hydraulic Jack Service, 550 Avis Buffalo Hydraulic Jack Service, 488 Walden Avenue Duplex Equipment Co., 213 Grand Avenue Equipment Custom Service Corp., 253 W. 64th Street J & S Hydraulic Inc., 34-01 30th St. Metro Hydraulic Jack Service, 5200 Foster Avenue	Rochester 14615 Buffalo 14211 Syracuse 13204 New York 10036 Long Island City 11100 Brooklyn 11203
Colorado	Automotive Tool Service, 859 Santa Fe Drive Merrill Hydraulic Specialists, 12th & Acoma Sts.	Denver 80204 Denver 80204	No. Carolina	Carolina Jack Service, 2211 Osborne Rd., P.O. Box 5141 Sander's Hydraulic & Diesel Co., Inc., 425 Atandt Eureka Tool & Hydraulic Service, 3816 N. Bend Road	Greensboro 27407 Charlotte 28206 Cincinnati 45042
Connecticut	A & L Eastern Hyd., Inc., 294 Kimberly Avenue J & S Hyd. Jack Repairing Co., Inc., 100 Woodmont Rd. John The Jack Man Co., Rt. 20, West Stafford Rd.	New Haven 06519 Milford 06460 Stafford Springs 06076	Ohio	Hydraulic Service, Inc., 14 N. Huron Street Knox Equip. Service, Rear 16 N. Broadway, Box 233, Sta. B Ohio Hydraulic Jack Service Co., 330 N. Arlington St. Ohio Hydraulic Service Co., 3826 Payne Avenue Ohio Hydraulic Service of Columbus, 105 N. Grand (Rear)	Toledo 43604 Dayton 45407 Akron 44305 Cleveland 44114 Columbus 43215
D. C.	Hydraulic Equipment Service Co., 1803-14th St., N.W.	Washington 20009	Oklahoma	Hydraulic Equipment Co., 417 W. California Hydraulic Equipment Service, 2221 S.W. Boulevard Mac's Hydraulic Jack Service, 2108 E. 11th Street	Oklahoma City 73102 Tulsa 74107 Tulsa 74104
Florida	Hydraulic Service, Inc., 200 E. Main St., P.O. Box 270 Jansen Hydraulic Service, 263 Park Street Miami Equipment Repair Co., 1927 N.W. 36th Street Southern Hydraulic Service, Inc., 1502 Columbus Tingen Hydraulic Service, 419 E. Bay Street Tri-City Hydraulic Service, 513 E. Palm Avenue B & R Hydraulic Service, 511 Roosevelt Avenue Equipment Service Co., 352 Techwood Drive, N.W. Meco, Inc., P.O. Box 6004 Sta. C, 311 Stiles Avenue Richmond Jack Repair, 2015 Savannah Road Savannah Jack Co., 306 W. McDonough Street Turner & Cole, 353 W. Peachtree St., N.E.	Pensacola 32502 Jacksonville 32204 Miami 33142 Tampa 33605 Jacksonville 32202 Tampa 33602 Albany 31701 Atlanta 30313 Savannah 31401 Augusta 30901 Savannah 31401 Atlanta 30308 Honolulu 96813 Boise 83704 Peoria 61614 Chicago 60620 Newton 62448 Chicago 60618 Chicago 60616 Fort Wayne 46805 Evansville 47710 Plymouth 46563 Hammond 46324 Indianapolis 46207 Davenport 52801 Des Moines 50314 Wichita 67202 Louisville 40203 Lake Charles 70603 New Orleans 70113 Baltimore 21202 Cambridge 02139 Marshall 49068 Grand Rapids 49503 Detroit 48201 Minneapolis 55408 Jackson 39202 St. Louis 63103 No. Kansas City 64116 Kansas City 64110 Billings 59102 Great Falls 59401	Oregon	Equipment Service Co., 1014 N.W. Hoyt Street Les' Hydraulic Service, 521 W. 4th Avenue	Portland 97209 Eugene 97401 Philadelphia 19130 Pittsburgh 15224 Scranton 18503 Rio Piedras 00926 Providence 02900 Columbia 29201 Sioux Falls 57104 Memphis 38126 Memphis 38103 Chattanooga 37408 Memphis 38103 Nashville 37206 Knoxville 37921 Dallas 75226
Georgia	Meco, Inc., P.O. Box 6004 Sta. C, 311 Stiles Avenue Richmond Jack Repair, 2015 Savannah Road Savannah Jack Co., 306 W. McDonough Street Turner & Cole, 353 W. Peachtree St., N.E. Auto Equipment Service Co., 848 Ilanawai		Pennsylvania	Equipment Service Co., 1921 Callowhill Street J & M Hydraulic Service, 4063 Liberty Avenue Penn Auto Service & Supply Co., 711 Mineral Avenue	
Hawaii	Auto Equipment Service Co., 848 Ilanawai	Atlanta 30308	Puerto Rico	Coots Hydraulic Service, 475 De Diego St., BO Sabana Liana J & S Hydraulic Inc., 1364 Broad St.	
Idaho	Hydraulic Jack & Equip. Service, 4449 Chinden Blvd.	Honolulu 96813	Rhode Island	General Jack & Grease Gun Service, Inc., 1013 Whaley St.	
Illinois	Bemis Hydraulic Jack & Equip. Co., 518 E. Memorial Dr. Chicago Jack Service, 7848 S. Hermitage Avenue Newton Auto Parts, 121 E. Washington Servall Engineering Co., 3937 N. Kedzie Avenue Branch - 2112 South Wabash	Boise 83704 Peoria 61614 Chicago 60620 Newton 62448 Chicago 60618 Chicago 60616 Fort Wayne 46805 Evansville 47710 Plymouth 46563 Hammond 46324 Indianapolis 46207 Davenport 52801 Des Moines 50314 Wichita 67202 Louisville 40203 Lake Charles 70603 New Orleans 70113 Baltimore 21202 Cambridge 02139 Marshall 49068 Grand Rapids 49503 Detroit 48201 Minneapolis 55408 Jackson 39202 St. Louis 63103 No. Kansas City 64116 Kansas City 64110 Billings 59102 Great Falls 59401	So. Carolina	Midwest Jack Service, 910 W. 10th Street Alcott Sales & Service, 682-684 Walnut at Crump Beller Wheel Brake & Supply Co., 577 Marshall Ave. Hydraulic Jack Service, 1710 Market Street Jack Flint & Son, 244 Jefferson Street Johnson & White Equipment Service, 1004 Gallatin Ave. Lubrication Equipment Service, 315 Dale Avenue Ace Equipment Repairs, Inc., 3010 Canton Street Bush's Hydraulic Repair Service, 820 S. Port Avenue Dave Hill Wholesale Automotive, 410 S. Santa Fe Hydraulic Equipment Service, 408 Avenue "H" Hydraulic Equipment Service Co., 1021 N. San Jacinto St. Instrument Service Co., 1013 Avenue "B" Wesbrooks Hyd. Equip. Serv. Co., 2012 Sheppard Access Rd. Young's Equipment Service, 511 Austin Street Gustin Hydraulic Jack Repair, 1180 S. State Street	Sioux Falls 57104 Memphis 38126 Memphis 38103 Chattanooga 37408 Memphis 38103 Nashville 37206 Knoxville 37921 Dallas 75226 Corpus Christi 78405 El Paso 79901 Lubbock 79402 Houston 77002 San Antonio 78215 Wichita Falls 76304 San Antonio 78215 Salt Lake City 84111
Indiana	A. B. C. Specialty Co., 1075 Kenwood Avenue Hydraulic Jack Service Co., 601 N. Fulton Avenue Scotty's Hydraulic Jack Service, 1204 N. Center Street Tool Repair Service Co., 7031 Calumet Avenue White-Evans Jack Service, 38 Shelby Street King Motor Service, 323 E. Fourth Street Turner's Hydraulic Service, 1617 Sixth Avenue Hydraulic Equipment Co., 314 N. Water Street		Tennessee	Hydraulic Jack Service, 1710 Market Street Jack Flint & Son, 244 Jefferson Street Johnson & White Equipment Service, 1004 Gallatin Ave. Lubrication Equipment Service, 315 Dale Avenue Ace Equipment Repairs, Inc., 3010 Canton Street Bush's Hydraulic Repair Service, 820 S. Port Avenue Dave Hill Wholesale Automotive, 410 S. Santa Fe Hydraulic Equipment Service, 408 Avenue "H" Hydraulic Equipment Service Co., 1021 N. San Jacinto St. Instrument Service Co., 1013 Avenue "B" Wesbrooks Hyd. Equip. Serv. Co., 2012 Sheppard Access Rd. Young's Equipment Service, 511 Austin Street Gustin Hydraulic Jack Repair, 1180 S. State Street D & S Repair Service, 1615 Dechantel Street Excelsweld Company of Roanoke, Route #4 Hydraulic-Pneumatic Service, 396 Centre Ave., N.W. Hydraulic Service Co., 3104 Victory Blvd. Moore's Jack & Equipment Co., 2406 No. Lombardy St. Petroleum Engineering, 5622 Virginia Beach Blvd. Carburetor & Electric Co., 221 Monroe Street Universal Repair Shop, 1611 Boylston Avenue CCC Hydraulic Service, 1009 Central Avenue Mountaineer Indust., Inc., 1050 S. Chestnut St., P.O. Box 1167	Memphis 38103 Chattanooga 37408 Memphis 38103 Nashville 37206 Knoxville 37921 Dallas 75226 Corpus Christi 78405 El Paso 79901 Lubbock 79402 Houston 77002 San Antonio 78215 Wichita Falls 76304 San Antonio 78215 Salt Lake City 84111 Alexandria 22312 Roanoke 24015 Roanoke 24015 Portsmouth 23702 Richmond 23220 Norfolk 23502 Spokane 99201 Seattle 98722 Charleston 25302 Clarksburg 26302 Butler 53007 Cheyenne 82001
Iowa	White-Evans Jack Service, 38 Shelby Street King Motor Service, 323 E. Fourth Street Turner's Hydraulic Service, 1617 Sixth Avenue Hydraulic Equipment Co., 314 N. Water Street		Texas	Bush's Hydraulic Repair Service, 820 S. Port Avenue Dave Hill Wholesale Automotive, 410 S. Santa Fe Hydraulic Equipment Service, 408 Avenue "H" Hydraulic Equipment Service Co., 1021 N. San Jacinto St. Instrument Service Co., 1013 Avenue "B" Wesbrooks Hyd. Equip. Serv. Co., 2012 Sheppard Access Rd. Young's Equipment Service, 511 Austin Street Gustin Hydraulic Jack Repair, 1180 S. State Street D & S Repair Service, 1615 Dechantel Street Excelsweld Company of Roanoke, Route #4 Hydraulic-Pneumatic Service, 396 Centre Ave., N.W. Hydraulic Service Co., 3104 Victory Blvd. Moore's Jack & Equipment Co., 2406 No. Lombardy St. Petroleum Engineering, 5622 Virginia Beach Blvd. Carburetor & Electric Co., 221 Monroe Street Universal Repair Shop, 1611 Boylston Avenue CCC Hydraulic Service, 1009 Central Avenue Mountaineer Indust., Inc., 1050 S. Chestnut St., P.O. Box 1167	
Kansas	Hydraulic Equipment Co., 314 N. Water Street		Utah	Hydraulic Equipment Service Co., 1021 N. San Jacinto St. Instrument Service Co., 1013 Avenue "B" Wesbrooks Hyd. Equip. Serv. Co., 2012 Sheppard Access Rd. Young's Equipment Service, 511 Austin Street Gustin Hydraulic Jack Repair, 1180 S. State Street	
Kentucky	Queen Hydraulic, 1226 Rowan Street		Virginia	D & S Repair Service, 1615 Dechantel Street Excelsweld Company of Roanoke, Route #4 Hydraulic-Pneumatic Service, 396 Centre Ave., N.W. Hydraulic Service Co., 3104 Victory Blvd. Moore's Jack & Equipment Co., 2406 No. Lombardy St. Petroleum Engineering, 5622 Virginia Beach Blvd. Carburetor & Electric Co., 221 Monroe Street Universal Repair Shop, 1611 Boylston Avenue CCC Hydraulic Service, 1009 Central Avenue Mountaineer Indust., Inc., 1050 S. Chestnut St., P.O. Box 1167	
Louisiana	Bayou Pump & Equip. Co., 2609 Opelousas St., P.O. Box 1367 Beerman Precision Machine Works, 2021 Thalia St., Box 53432 Holdridge Engineering Co., 1728-30 Lamont Ave. Alted Hydraulic Service, 96 Hampshire Burr E. Steffey Co., 14947 W. Michigan Street Hydraulic Service, Inc., 449 Market Street Hydraulic Service, Inc., 2715 Fifth at Grand River		Washington	Hader Industries, 4916 N. 125th Street Wyoming Hydraulics, RR #1, Box 239	
Maryland	Holdridge Engineering Co., 1728-30 Lamont Ave.		West Virginia	CCC Hydraulic Service, 1009 Central Avenue Mountaineer Indust., Inc., 1050 S. Chestnut St., P.O. Box 1167	
Massachusetts	Alted Hydraulic Service, 96 Hampshire		Wisconsin	Hader Industries, 4916 N. 125th Street	
Michigan	Burr E. Steffey Co., 14947 W. Michigan Street Hydraulic Service, Inc., 449 Market Street Hydraulic Service, Inc., 2715 Fifth at Grand River		Wyoming	Wyoming Hydraulics, RR #1, Box 239	
Minnesota	Hydraulic Jack & Equip. Service Co., 2601 Aldrich Ave., S. Dixie Hydraulic Service, 1640 S. Gallatin Street				
Mississippi	Central Hydraulic Service Co., 3101 Washington Ave. Harry L. Nolte, 1221 Clay Ave.				
Missouri	Hydraulic Service Co., 3739 W. Woodland Denison Machine Co., 427 St. Johns Avenue Falls Hydraulic Jack Service, 307 Third Avenue South				
Montana	Denison Machine Co., 427 St. Johns Avenue Falls Hydraulic Jack Service, 307 Third Avenue South				

The above list of franchised service depots are factory authorized to service our products. They stock our original parts, kits, and units. When ordering, indicate required items by part number and contact the nearest depot.