



PARTS SHEET MODELS
CAPACITY 10 TON
13-52 HAND JACK
13-111 STANDARD RAM
13-110 SHORT RAM
CAPACITY 1 TON
13-102 SPREADER
AUGUST 1969

SS-102A

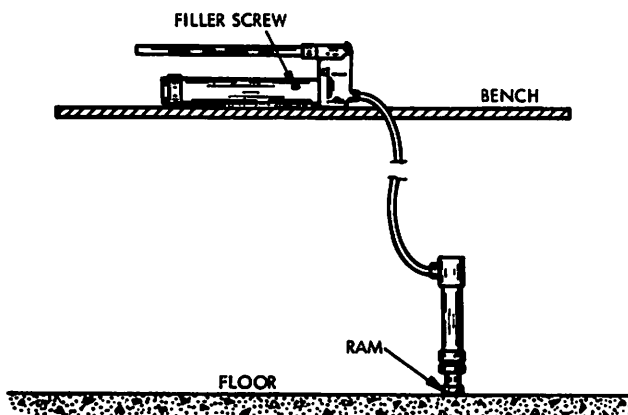
GENERAL INSTRUCTIONS

To assure long and dependable performance of your Hydraulic Tools, the following precautions should be observed:

1. Be sure that all units are wiped clean before and after using. A light grade of oil should be used on moving parts to prevent rusting and prolong life.
2. Load should be centered before applying pressure to prevent bending ram from sidestrain.
3. Make sure that all attachments are fully tightened.
4. When not in use, ram and pump piston should be fully retracted and release valve closed. Connecting openings to tools should be plugged to prevent entrance of foreign matter.
5. Refill only with recommended Hydraulic Jack Oil.

OPERATING INSTRUCTIONS

Attach hose from pump to ram and position as shown in illustration. Ram may be in either a horizontal or vertical position with connection up. Pump must be above level of ram as shown. Pump ram to fully extended position and release. Close release when ram is fully retracted and units are ready for use. Spreader should be positioned with connection up.



FAILURE TO OPERATE

There are times when one or more simple conditions exist that could prevent satisfactory operation of your

power tools.

1. Airbound -- Extend and retract ram several times as shown under operating instructions.
2. Will not hold load -- (a) Release may not be tight enough. (b) Packing may be damaged and need replacing.
3. Foreign matter under valve balls or valves sticking -- See Airbound. If this action does not correct condition, oil should be drained, unit flushed with kerosene, and refilled. Valve balls and seats should be examined for defects.
4. Leakage -- Tighten packing nut at pump piston if leaking. Replace "V" packing set if leak continues. On rams or spreader, replace seals using repair kit listed below.

TO DISASSEMBLE

STANDARD RAM

1. Pump out and remove Roll Pin No. 10-11691.
2. Release pressure and allow ram to return.
3. Place unit in vise and pull out Ram Plug No. 13-11690.
4. Hold spring out and disconnect from Plug.
5. Remove Head No. 13-11447 and Ram No. 13-11685.
6. Replace worn parts and reassemble in reverse order.

SHORT RAM

1. Remove Head No. 13-11853 and Ram may be removed for replacement of worn parts.
2. Be sure Ram Cylinder No. 13-11851 is tight and reassemble.

SPREADER

1. Remove Hinge Pin No. 13-11861 and Roll Pin No. D-8057.
2. Remove Packing Nut, replace worn parts and reassemble.

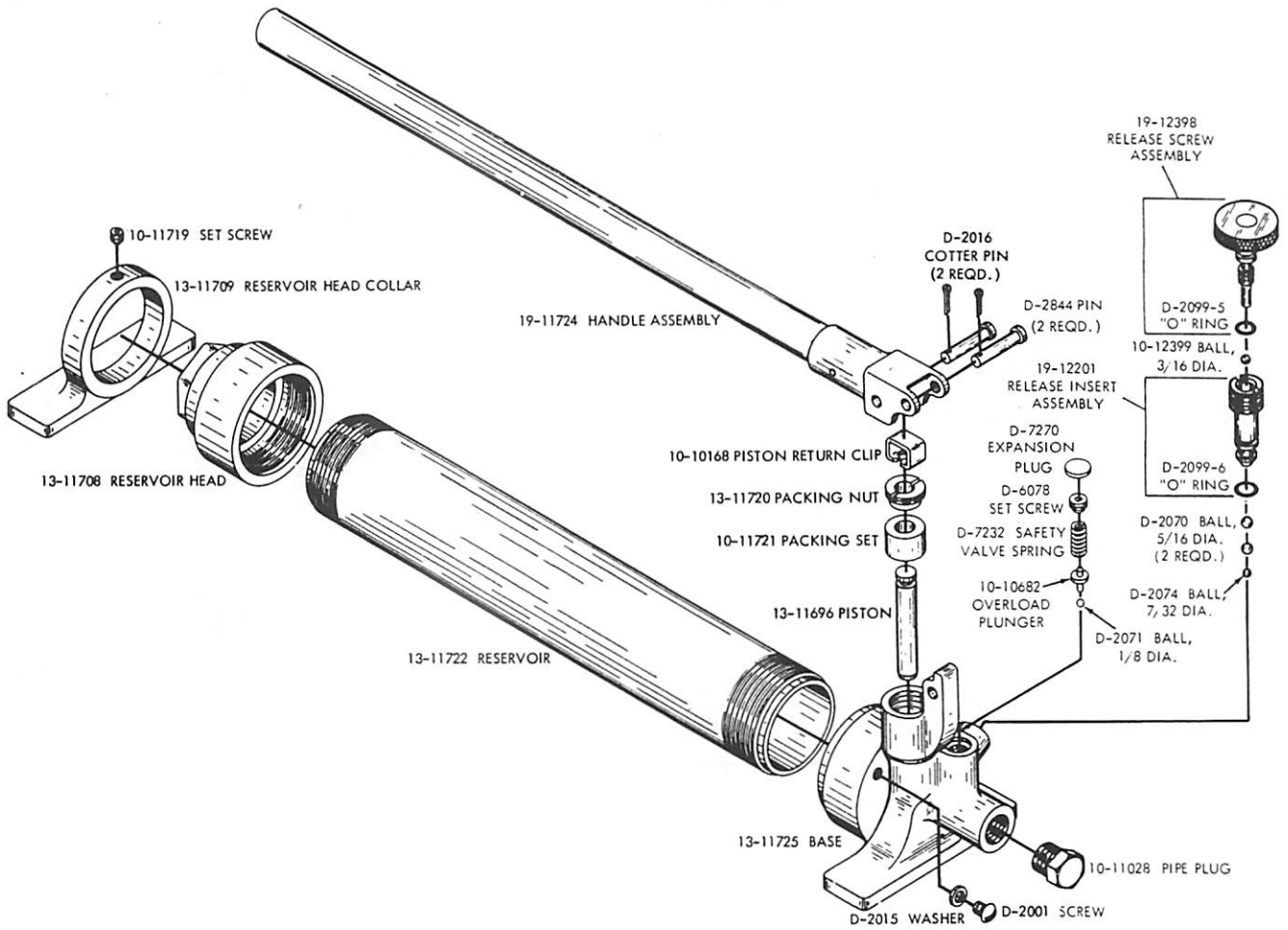
REPAIR KITS:

Hand Pump	5-573
Standard Ram	5-574
Short Ram	5-575
Spreader	5-576

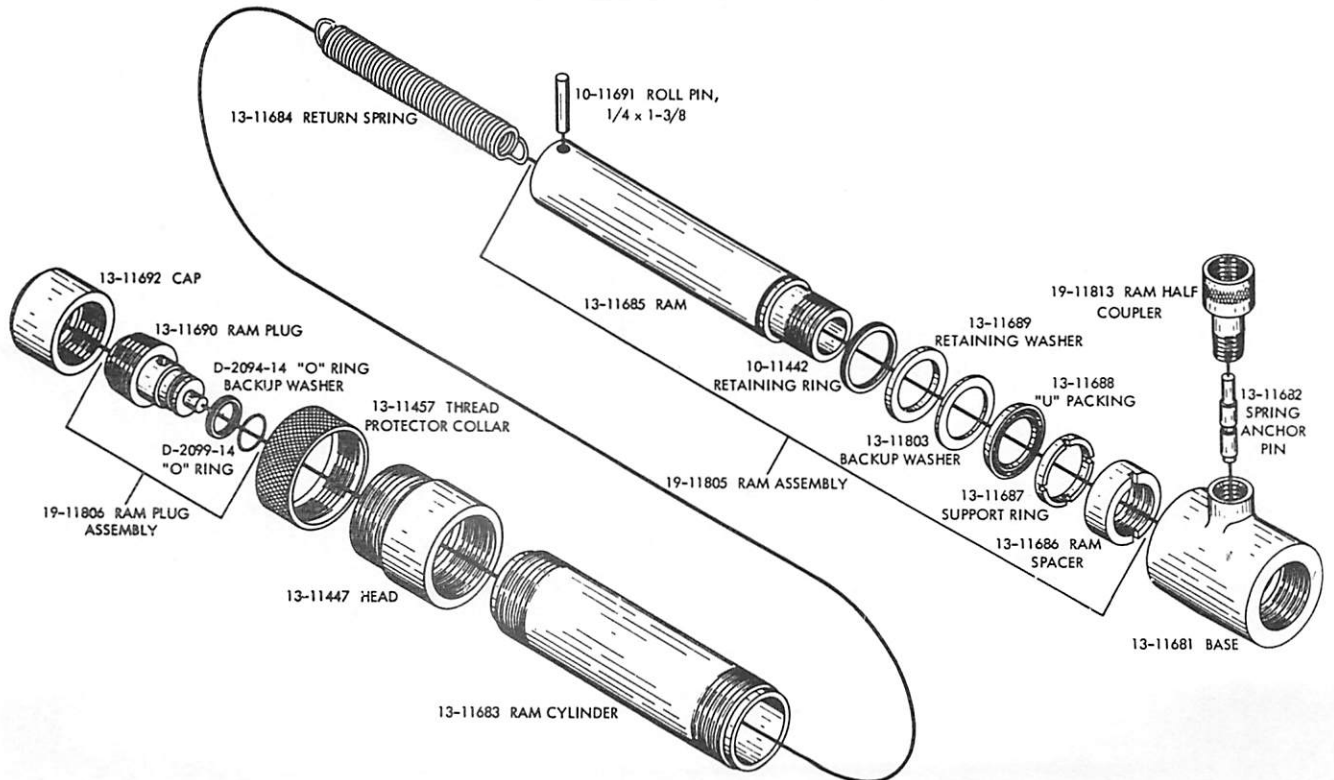
AUTO SPECIALTIES MANUFACTURING COMPANY

St. Joseph, Michigan

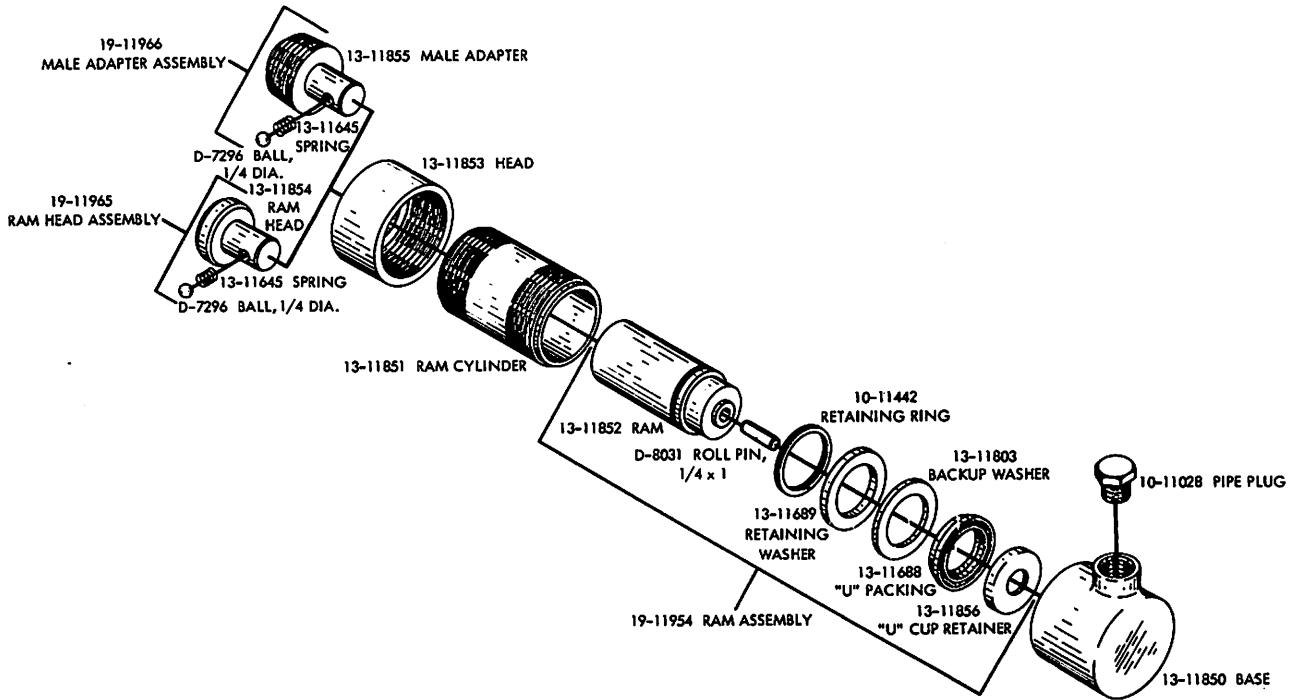
HAND PUMP



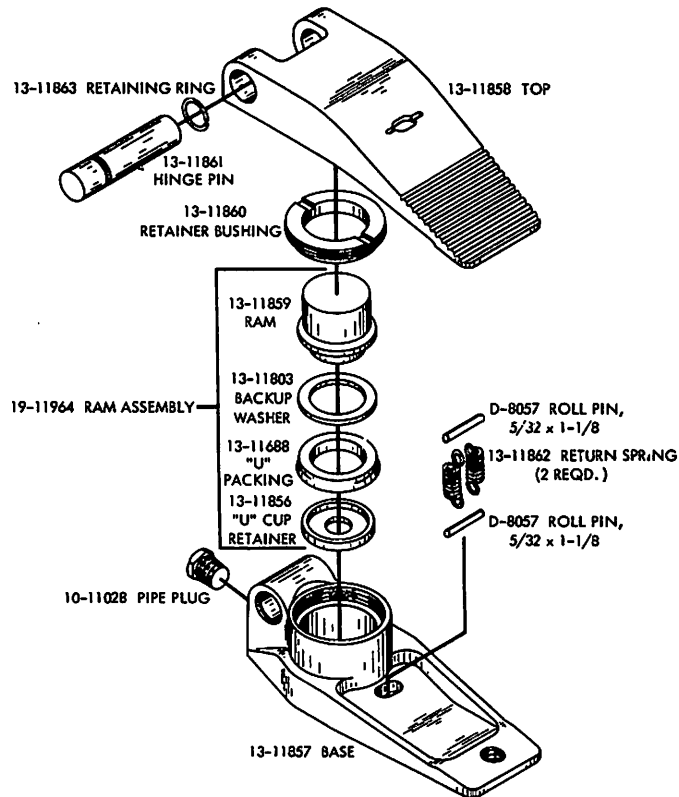
STANDARD RAM



SHORT RAM



SPREADER



WARRANTY

Ausco Jacks, Pumps and Rams are fully guaranteed against defective material and workmanship for 90 days from date of original sale to user when submitted or shipped with proof of purchase date, transportation prepaid, to the nearest franchised service depot for inspection. (Do not return to factory.) This warranty does not cover units that have been altered or attachments added to them which are not recommended by the manufacturer. The use of hydraulic brake or shock absorber fluid, alcohol, kerosene or other deleterious fluids voids this warranty as does improper use through overloading or any other abusive practice or accident.

They stock our original parts, kits, and units. When ordering, indicate jack model number and capacity and contact nearest service depot. Do not order from factory.