



PARTS SHEET
MODEL 5-51207
CAPACITY 1 TON
OCT. 1975

SS-010

OPERATING INSTRUCTIONS

1. Upon receiving jack, remove handle from pocket in frame, turn release screw one-half turn counter clockwise, insert handle into handle socket and pump several times. This will eliminate any airbound condition that may have occurred during shipment.
2. Before lifting vehicle
 - a. Engage vehicle hand brake and place transmission in PARK,
 - b. Block both sides of wheel diagonally opposite wheel being raised,
 - c. Position jack so that vehicle frame rests securely on load member.
3. To raise, turn release screw clockwise until tight and operate pump handle.
4. To lower, **slowly** turn release screw counter clockwise.

IF JACK FAILS TO OPERATE OR LIFT LOAD:

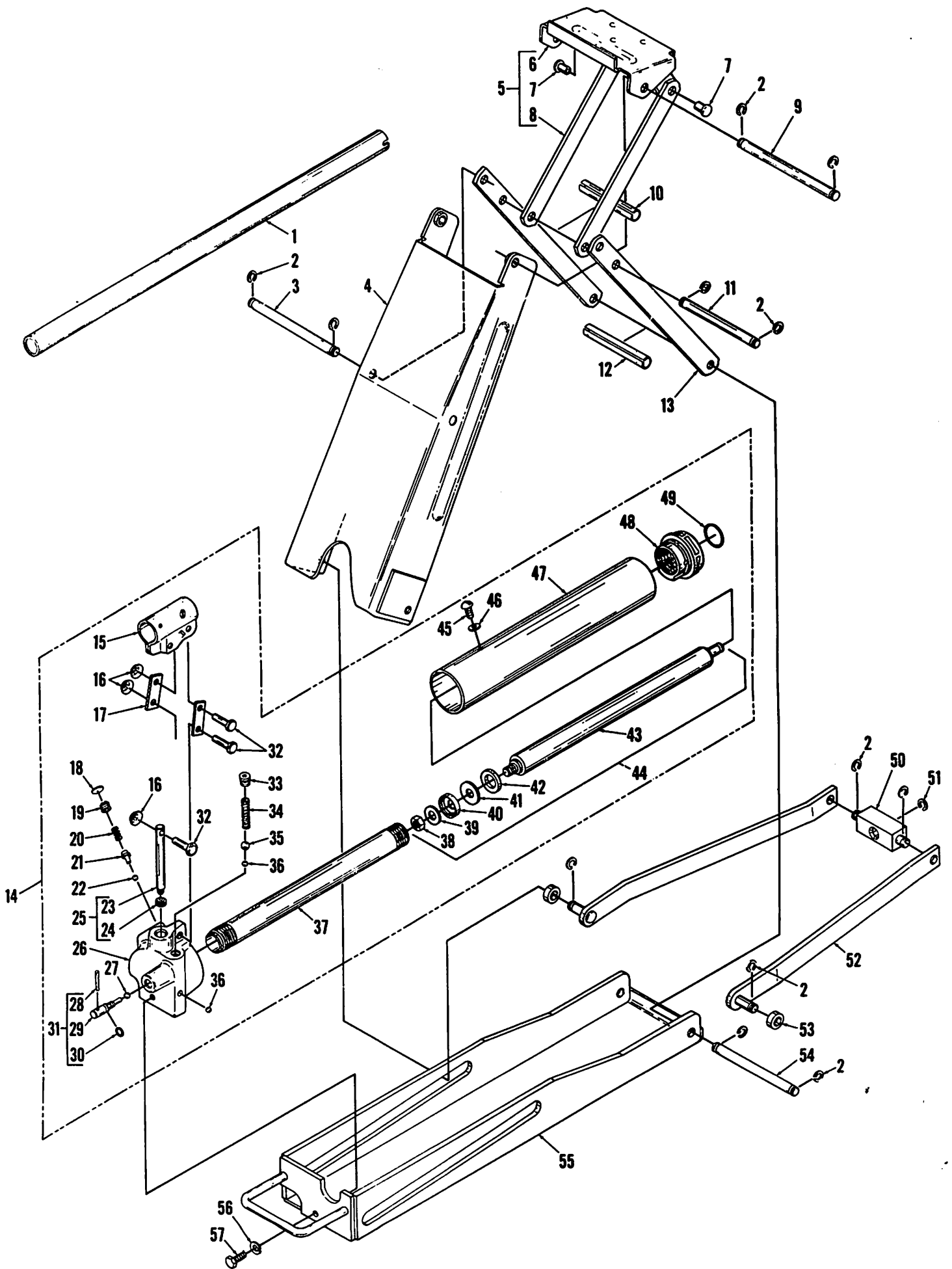
1. Repeat operating instruction No. 1 above.
2. Make sure release screw is completely closed; turn clockwise until tight.
3. Check oil level with lifting arm down and jack in operating position. Oil should be at filter plug level.
4. Check load weight. This jack is equipped with automatic safety load limiting feature.
5. Interior parts may be worn. Contact nearest Franchised Service Depot from list on back page.

GENERAL INFORMATION

1. Keep all moving parts well lubricated to prevent rust and excessive wear.
- 2 Use repair kit number 5-500.

CAUTION: This jack is designed for **lifting** purposes only. After lifting, always use safety devices such as garage stands to support load.

AUTO SPECIALTIES MANUFACTURING COMPANY
St. Joseph, Michigan



REF. NO.	PART NO.	DESCRIPTION	QUAN.	REF. NO.	PART NO.	DESCRIPTION	QUAN.
1	2-53905	Handle	1	30	D-2099-5	"O" Ring 1/4 x 3/8	1
2	2-53822	Retaining Ring 7/16	12	31	4-54123	Release Screw Assembly	1
3	2-54002	Lift Arm Shaft	1	32	CH-1028	Handle Socket Link Pin	3
4	4-54099	Lift Arm Assembly	1	33	2-53990	Plug	1
5	4-54130	Load Member & Stabilizer Links	1	34	2-53817	Pressure Ball Spring	1
6	4-54129	Load Member & Brace Assembly	1	35	D-2070	Valve Ball 5/16 Dia.	1
7	2-53993	Rivet	2	36	D-2074	Valve Ball 7/32 Dia.	2
8	2-53999	Stabilizer Link	2	37	2-53982	Ram Cylinder	1
9	2-53992	Load Member Shaft	1	38	D-2237	Ram Cup Nut	1
10	2-53818	Stabilizer Link Spacer	1	39	D-2236-A	Ram Cup Retainer	1
11	2-53821	Stabilizer Link Shaft	1	40	D-2234-A	Ram Cup	1
12	2-53819	Load Link Spacer	1	41	D-2240	Ram Cup Backup Washer	1
13	2-53998	Lift Arm Link	2	42	D-2235-B	Ram Spacer	1
14	4-53989	Power Unit Assembly	1	43	2-53983	Ram	1
15	10-11755	Handle Socket	1	44	4-54126	Ram Assembly	1
16	10-11758	Pushnut 5/16	3	45	D-2001	Filler Screw	1
17	2-53988	Handle Socket Link	2	46	D-2015	Filler Screw Washer	1
18	2-53958	Expansion Plug	1	47	2-53981	Reservoir	1
19	D-6078	Setscrew	1	48	10-11768	Reservoir Head	1
20	2-53831	Relief Valve Spring	1	49	D-2099-17	"O" Ring 7/8 x 1-1/8	1
21	2-53832	Relief Valve Plunger	1	50	2-53995	Bridge Block	1
22	D-2071	Valve Ball 1/8 Dia.	1	51	D-7665	Retaining Ring 5/16	1
23	2-50433	Piston	1	52	4-54171	Link & Pin Assembly	2
24	10-11760	Piston Cup	1	53	2-54004	Roller	2
25	4-54124	Piston Assembly	1	54	2-53991	Load Link Shaft	1
26	2-53984	Base	1	55	4-53994	Frame Assembly	1
27	10-12399	Valve Ball 3/16 Dia.	1	56	D-5096	Lockwasher	1
28	D-2051	Release Screw Pin	1	57	SJ-2324	Bolt	1
29	2-53987	Release Screw	1				

LIMITED WARRANTY

The Manufacturer warrants its products against defective material and workmanship for 90 days from date of original sale to Buyer when submitted or shipped with proof of purchase date, transportation prepaid, to the nearest Franchised Service Depot for inspection. (Do not return to factory.) The Consumer's remedies under this warranty are limited to repair or replacement of parts at the option of the Manufacturer and its designated Franchised Depot. This warranty does not cover units that have been altered or attachments added to them which are not recommended by the Manufacturer. Use hydraulic jack oil only; use of any other fluids voids this warranty as does unreasonable or improper use, such as overloading, or any other abusive practice or accident.

The duration of any implied warranties arising under state law, including implied warranties of merchantability or fitness for any particular purpose, are expressly limited to the duration of this written warranty.

In the event that the goods sold hereunder are defective or fail to conform to this written warranty or any implied warranty, any recovery of consequential damages is expressly excluded, except as such exclusion is expressly prohibited by state law.

**AUTO SPECIALTIES MANUFACTURING CO.
ST. JOSEPH, MICHIGAN, U.S.A. 49085**