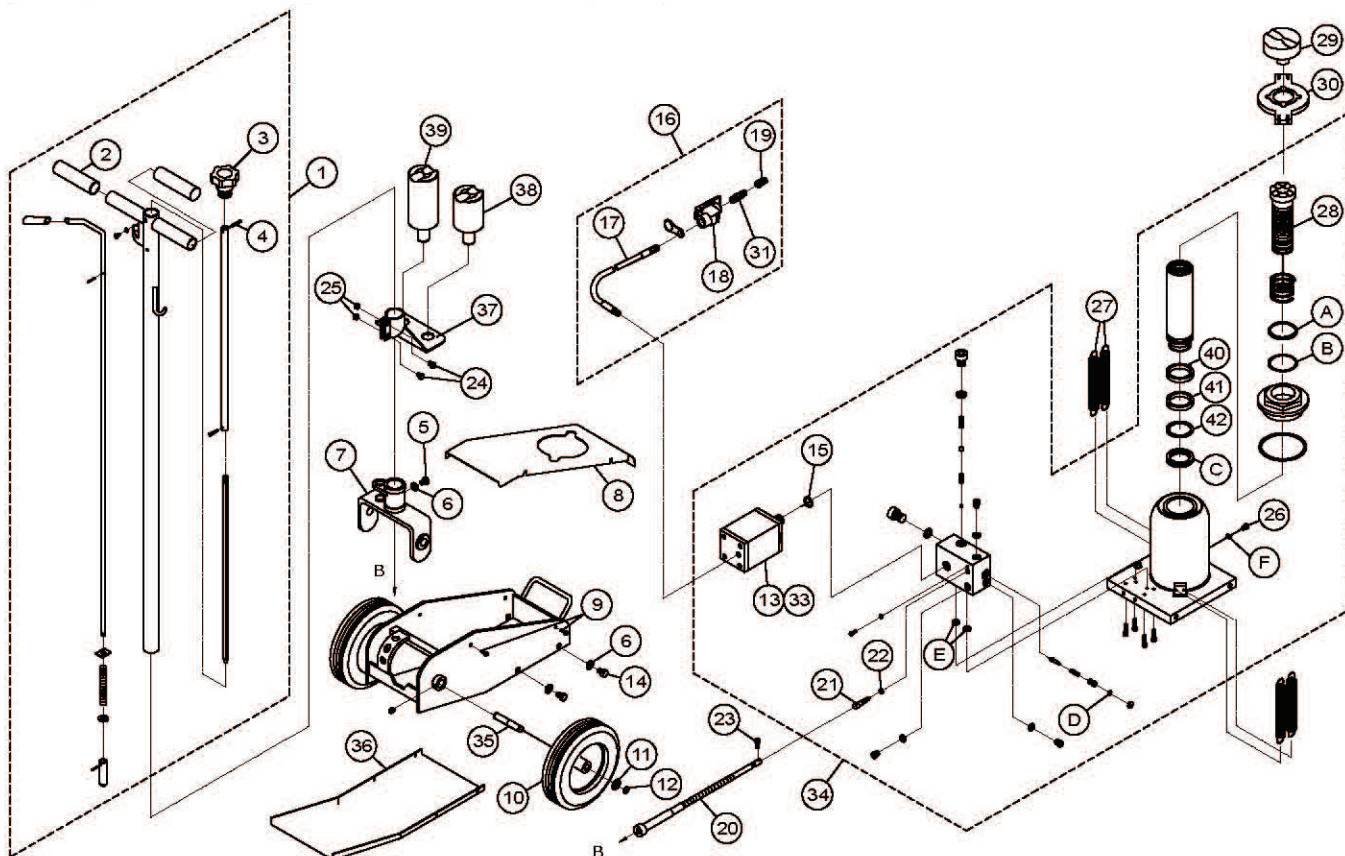


# ATD Spare Parts List

## Replacement Parts for models ATD 7328:

Item	Part No.	Description	Qty
1	A070-70000-100	Handle Assembly	1
2	G251-00007-000	Handle Grip	2
3	G251-40001-000	Knob	1
4	5402-04028-000	Spring Pin	1
5	5115-10017-000	Bolt	1
6	5303-00010-100	Washer, Lock	5
7	A070-00006-000	Handle Sleeve	1
8	A090-00001-000	Cover Plate	1
9	5110-06010-000	Screw	4
10	A070-00001-000	Wheel	2
11	5308-00013-006	Washer	2
12	5304-00013-000	C-clip	2
13	G831-03200-000	Air Motor	1
14	5102-10025-000	Bolt	4
15	5308-00095-000	Copper Gasket	1
16	A220-01000-000	Air Hose Assembly	1
17	A20060-0006	Air Hose	1
18	A20060-0007	Lift Control Valve	1
19	A20060-0016	Air Coupler, Male, 1/4 NPT	1
20	A070-3000-000	Release Valve Cable	1
21	A090-12008-000	Release Valve	1
22	5905-00054-000	Oil Seal	1
23	5105-05016-000	Screw	1

Item	Part No.	Description	Qty
24	5102-08025-000	Screw	2
25	5202-00008-000	Nut	2
26	G62S-03301-000	Filler Screw	1
27	A070-00009-000	Spring	4
28	A070-11001-000	Extension Screw	1
29	A070-00007-000	Saddle	1
30	A070-00008-000	Spring Plate	1
31	A27010-0028	Air Filter	1
32	A0901S-077	Repair Kit (includes #22 & A~F)	-
33	A27010-0008	Piston, Air Motor #13	1
34	A090-10000-000	Hydraulic Unit (for 23221C only)	1
	A091-10000-000	Hydraulic Unit (for 23222C only)	1
35	A070-00003-000	Wheel Axle	2
36	A090-00002-000	Base Plate	1
37	A070-81001-000	Adapter Holder	1
38	A070-00015-000	Adapter, 2-1/2"	
39	A091-00003-000	Adapter, 5" (for 23222C only)	1
40	A07-6-1209-107	Ram Bearing	1
41	A07-6-1209-208	Ram Bearing	1
42	5904-00470-000	Back-Up	1



Replacement Parts Illustration for Model ATD-7328