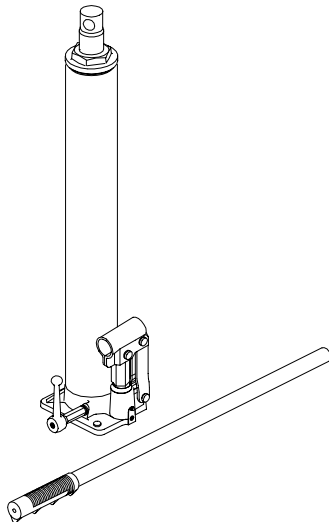


ATD TOOLS, INC.

PRODUCT SPECIFICATIONS

MODEL #:	7486
DESCRIPTION:	LONG JACK
CAPACITY:	8 TON
BASE SIZE:	5" (L) X 4 3/4" (W)
MIN. HEIGHT:	23 5/8"
MAX. HEIGHT:	42 3/4"
HANDLE LENGTH:	19 5/8"
OPERATING FORCE:	101.0 LBS
O.D. OF RAM:	1 1/4"
VOLUME OF HD. OIL:	695 C.C.
NET WEIGHT:	29.7 LBS
GROSS WEIGHT:	31.5 LBS
CARTON DIM.:	25 1/2" (L) X 5 1/2" (W) X 7" (H)
CUFT.:	0.57 CUFT (1198 PCs/ 20' CTN)



FEATURE

- MEETS ASME/ANSI - PALD SAFETY STANDARDS
- LIFTING RANGE: 23 5/8" TO 42 3/4"
- PROVIDE QUICK, EFFORTLESS LIFTS OF RATED CAPACITY LOADS
- PATENTED BUILT-IN BY-PASS DEVICE MECHANISM



SPARE PARTS LIST

Model # Atd-7486

ITEM	PARTCODE	DESCRIPTION	QTY
1	*	o-ring	1
2	*	top nut	1
3	*	o-ring	1
4	*	filler plug	1
5	276-6-1803-409	reservoir	1
6	*	cylinder	1
7	*	gasket	1
8	*	ram piston	1
9	179-6-1209-106	ram bushing	1
10	*	backup ring	1
11	*	u-cup	1
12	*	backup ring	1
13	*	base	1
14	*	seal	1
15	276-6-1701-108	release valve	1
16	273-6-1705-105	release level	1
17	602-1-0050-018	screw	1
18	*	screw	1
20	532-8-0040-012	filter	1
21	A20-3-1500-100	hyd. cartridge	1
22	*	seal	1
23	531-3-0207-107	washer	1
24	275-6-1401-200	pump cylinder	1
25	*	seal assy.	1
26	*	o-ring	1
27	275-6-1306-408	pump piston	1
28	518-4-0070-509	pin	2
29	511-5-0012-016	snap pin	2
30	276-3-1300-102	handle sleeve	1
31	275-6-2101-203	handle	1
32	506-9-0215-011	handle grip	1
33	*	seal	1
34	*	air motor assy.	1

* part is not available

