

## WARNING INFORMATION



This is the safety alert symbol. It is used to alert you to potential personal injury hazards. Obey all safety messages that follow this symbol to avoid possible injury or death.



**WARNING:** Indicates a hazardous situation which, if not avoided, could result in death or serious injury.



### **IMPORTANT: READ THESE INSTRUCTIONS BEFORE OPERATING** **IMPORTANT, RETAIN FOR FUTURE REFERENCE: READ CAREFULLY**

BEFORE USING THIS DEVICE, READ THIS MANUAL COMPLETELY AND THOROUGHLY, UNDERSTAND ITS OPERATING PROCEDURES, SAFETY WARNINGS AND MAINTENANCE REQUIREMENTS.

It is the responsibility of the owner to make sure all personnel read this manual prior to using the device. It is also the responsibility of the device owner to keep this manual intact and in a convenient location for all to see and read. Contact Powerstation for a replacement label if your jack's label is not readable.















## THE NATURE OF HAZARDOUS SITUATIONS


### **WARNING**

The use of Portable Automotive Lifting Devices are subject to certain hazards that cannot be prevented by mechanical means, but only by the exercise of intelligence, care, and common sense. It is essential to have personnel involved in the use and operation of the device who are careful, competent, trained, and qualified in the safe operation of the device and its proper use when servicing motor vehicles and their components. Examples of hazards are dropping, tipping or slipping of loads caused primarily by improperly securing loads, overloading, off-centered loads, use on other than hard level surfaces, and using equipment for a purpose for which it was not intended.

## METHODS TO AVOID HAZARDOUS SITUATIONS

### **WARNING**

-  Read, study, understand and follow all instructions before operating this device.
-  Inspect the jack before each use. Do not use jack if damaged, altered, modified, in poor condition, leaking hydraulic fluid, or unstable due to loose or missing components. Make corrections before using.
-  Lift only on areas of the vehicle as specified by the vehicle manufacturer.
-  Wear eye protection that meets ANSI Z87.1 and OSHA standards (Users & Bystanders).
-  Do not use jack beyond its rated capacity. Do not shock load.
-  **This is a lifting device only. Immediately after lifting, support the vehicle with jack stands capable of sustaining the load before working on the vehicle.**
-  Use only on a hard level surface capable of supporting load and free from obstructions so the jack is free to reposition itself during lifting and lowering operations.
-  Center load on saddle. Be sure setup is stable before working on vehicle.
-  Do not move or dolly the vehicle while on the jack.
-  Do not use any materials that may serve as risers, spacers or extenders between the stock lifting saddle and the load.
-  Do not use any adaptors that replace the stock lifting saddle unless approved or supplied by the jack manufacturer.
-  Do not use (or modify) the product for any other purpose than that for which it was designed without consulting the manufacturer's authorized representative.
-  Always lower the jack slowly and carefully.
-  Failure to heed these warnings may result in fatal personal injury and/or property damage.

 **WARNING:** This product can expose you to chemicals including nickel, which is known to the State of California to cause cancer and birth defects or other reproductive harm. For more information go to [www.P65Warnings.ca.gov](http://www.P65Warnings.ca.gov).

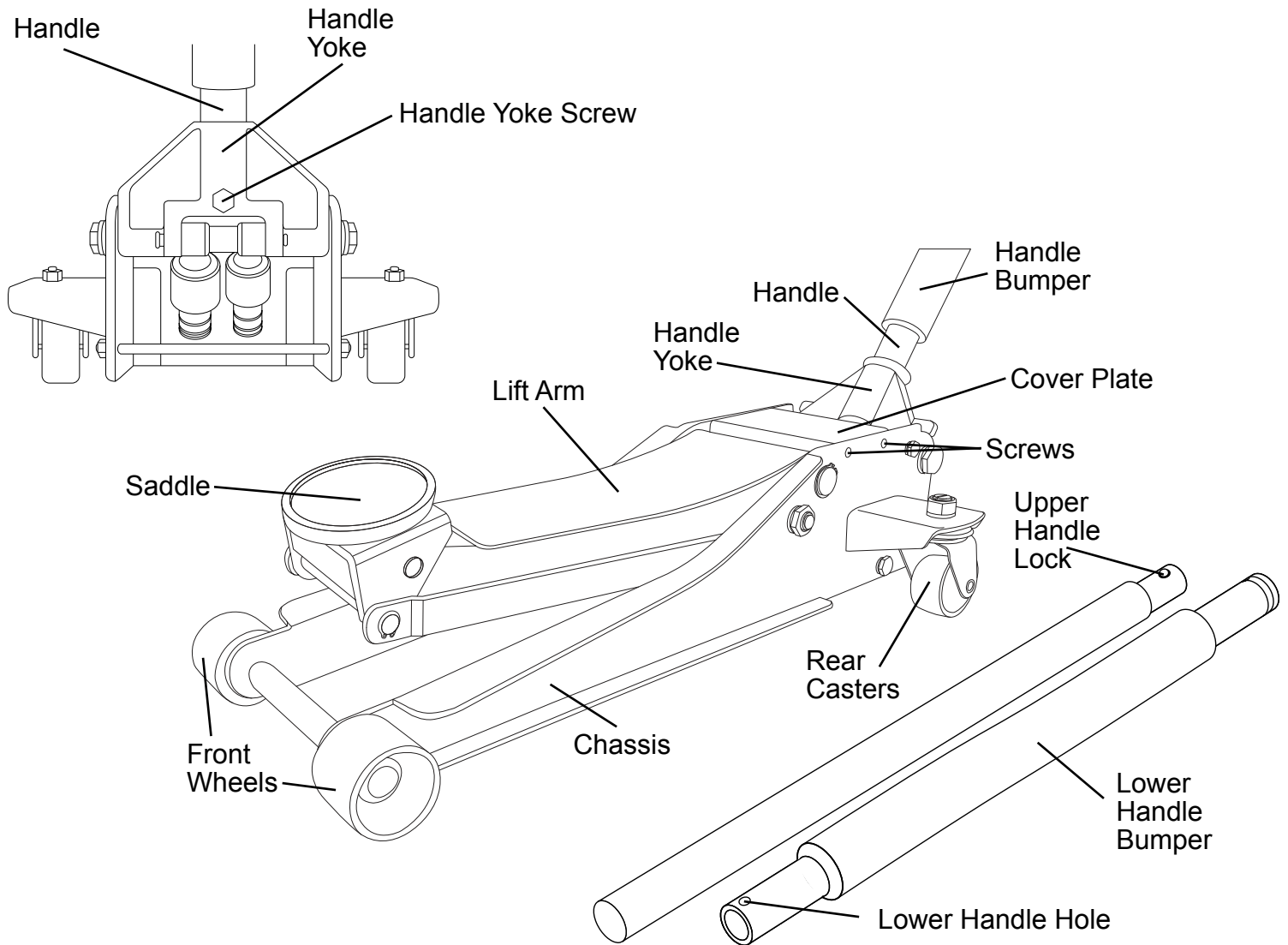
## CONSEQUENCES OF NOT AVOIDING HAZARDOUS SITUATIONS

### **WARNING**

Failure to read this manual completely and thoroughly, failure to understand its OPERATING INSTRUCTIONS, SAFETY WARNINGS, MAINTENANCE INSTRUCTIONS and comply with them, and failure to comply with the METHODS TO AVOID HAZARDOUS SITUATIONS could cause accidents resulting in serious or fatal personal injury and/or property damage.

## INSPECTION

Visual inspection should be made before each use of the jack, checking for leaking hydraulic fluid and damaged, loose or missing parts. Any jack which appears to be damaged in any way, is found to be badly worn, or operates abnormally **MUST BE REMOVED FROM SERVICE** until necessary repairs are made.



## SETUP

1. Depress the upper handle lock in the upper handle while simultaneously inserting the end of the upper handle in the lower handle. Rotate the upper handle back and forth until the handle lock seats in the hole in the lower handle lock hole.
2. Grease the inside of the handle yoke so the handle will rotate freely inside the yoke. Remove the handle yoke screw. Insert the end of the lower handle all the way in the handle yoke until it engages the release valve assembly. Secure the handle in the handle yoke by reinstalling the handle yoke screw and tightening the screw. Rotate the handle to see if it is rotating the release valve assembly. Pull on the handle to make sure it is secured in the handle yoke. If the release valve assembly is not rotating and/or the handle pulls out of the handle yoke, repeat step 2.
3. **IMPORTANT:** In most cases the jack should work normally right out of the box but it is not unusual for air to get trapped in the jack's hydraulic system during shipping and handling. There are several symptoms of an air trapped hydraulic system which include only partial incremental pump stroke, jack will not lift load, jack will not sustain load or pumping feels spongy under load. The following procedure will purge air from the hydraulic system and only needs to be done if experiencing the above mentioned conditions.
  - a) Close the release valve by turning the handle clockwise until it stops. Now turn the handle in a counterclockwise direction two full revolutions. Pump the jack 10 full incremental pump strokes.
  - b) Rotate the handle in a clockwise direction until tight and pump the lift arm to maximum height without a load. Repeat steps a) and b) until all the air has been purged from the system.

**CAUTION:** In order to prevent seal damage and jack failure, never use alcohol, hydraulic brake fluid, or transmission oil in the jack. Use hydraulic jack oil, a light turbine oil, Chevron Hydraulic Oil AW ISO 32 or Unocal Unax AW 150.

**IMPORTANT:** Before attempting to raise any vehicle, check vehicle service manual for recommended lifting surfaces.

# OPERATING INSTRUCTIONS



This is the safety alert symbol used for the OPERATING INSTRUCTIONS section of this manual to alert you to potential personal injury hazards. Obey all instructions to avoid possible injury or death. **IMPORTANT:** Before attempting to raise any vehicle, check vehicle service manual for recommended lifting surfaces.

## OPERATION

1. Put vehicle transmission in park or in gear and then apply the emergency brake.  
**To raise load:** Turn the handle in a clockwise direction until tight. Position the jack under the load. Proceed to pump the handle in order to raise the lift arm to the load. As the saddle at the end of the lift arm gets closer to the load, reposition the jack so the saddle will contact the load firmly and the load is centered on the saddle. Make sure the saddle is correctly positioned. Raise the load to the desired work height. Place jack stands of appropriate capacity at the vehicle manufacturer's recommended support areas that provide stable support for the raised vehicle. **DO NOT CRAWL UNDER VEHICLE WHILE LIFTING VEHICLE OR PLACING OR REMOVING THE JACK STANDS!** Once jack stands are positioned, turn the jack handle VERY SLOWLY in a counterclockwise direction to lower the load to rest on the jack stands. Inspect the relationship between the jack stands and load to make sure the setup is stable and safe. If the setup is not stable or safe, follow the preceding steps until corrected.
2. **To lower load:** Follow the procedures mentioned in "To raise load" section of the OPERATING INSTRUCTIONS in order to raise the load off the jack stands. **DO NOT CRAWL UNDER VEHICLE WHILE LIFTING VEHICLE OR PLACING OR REMOVING THE JACK STANDS!** Once the load has cleared the jack stands, remove the jack stands from under the load and away from the work area. Turn handle very slowly in a counterclockwise direction until the load is completely lowered to the ground. Once the jack's lifting saddle has cleared the load, remove the jack from under the load. **CAUTION:** Keep hands and feet away from the hinge mechanism of the jack.

## PREVENTATIVE MAINTENANCE



This is the safety alert symbol used for the PREVENTATIVE MAINTENANCE section of this manual to alert you to potential personal injury hazards. Obey all instructions to avoid possible injury or death.

1. Always store the jack in a well protected area where it will not be exposed to inclement weather, corrosive vapors, abrasive dust, or any other harmful elements. The jack must be cleaned of sand, grit, oil, grease or other foreign matter before using.
2. The jack must be lubricated periodically in order to prevent premature wearing of parts. A general purpose grease must be applied to caster wheels, front axle, elevator arm, handle base pivot bolts, release mechanism and all other bearing surfaces. Worn parts resulting from inadequate or no lubrication are not eligible for warranty consideration. See page 4 for lubrication instructions.

**IMPORTANT:** In order to prevent seal damage and jack failure, never use alcohol, hydraulic brake fluid, or transmission oil in the jack. Use hydraulic jack oil, a light turbine oil, Chevron AW ISO 32 or Unocal Unax AW 150.

3. Every jack owner is responsible for keeping the jack labels clean and readable. Use a mild soap solution to wash external surfaces of the jack but not any moving hydraulic components.
4. Inspect the jack before each use. Do not use the jack if any component is cracked, broken, bent, shows sign of damage or leaks hydraulic fluid. Do not use the jack if it has loose or missing hardware or components, or is modified in any way. Take corrective action before using the jack again.

## PROPER STORAGE

It is recommended that the jack be stored in a dry location with all wheels touching the ground on a relatively level surface.

## TROUBLESHOOTING

Important: Service jacks are self-contained devices used for lifting, but not sustaining, a partial vehicular load. In accordance with ASME-PALD Load Sustaining Test: "A load not less than the rated capacity...shall not lower more than 1/8" (3.18mm) in the first minute, nor a total of 0.1875" (4.76mm) in 10 minutes." Lowering within this range is considered normal operation and is NOT a warrantable defect.

PROBLEM	ACTION
1. Unit will not lift rated load.	Purge air from hydraulic system by following procedure under SETUP.
2. Unit will not sustain rated load or feels "spongy" under rated load.	Purge air from hydraulic system as above.
3. Unit will not lift to full height.	Purge air from hydraulic system as above.
4. Unit will not lower completely.	Check oil level. Make sure hydraulic system is not overfilled.
5. Handle tends to raise up while the unit is under rated load.	Pump the handle rapidly several times to push oil past ball valves in power unit.
6. Unit still does not operate.	Contact customer service (page 6).

# HYDRAULIC MAINTENANCE GUIDE

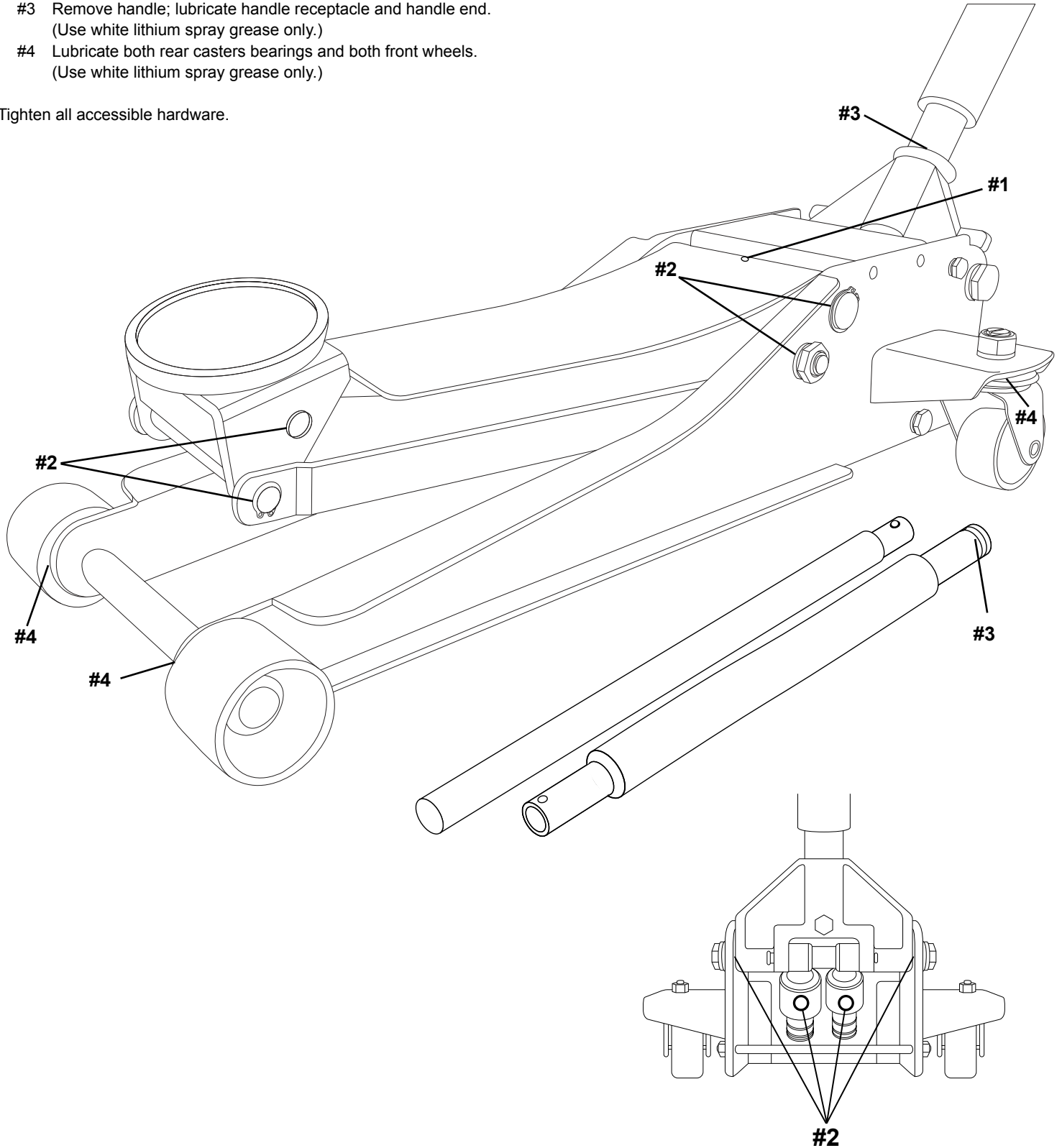
**IMPORTANT:** Service jacks are designed for lifting purposes only; always support raised load with jack stands.

## REGULAR MAINTENANCE

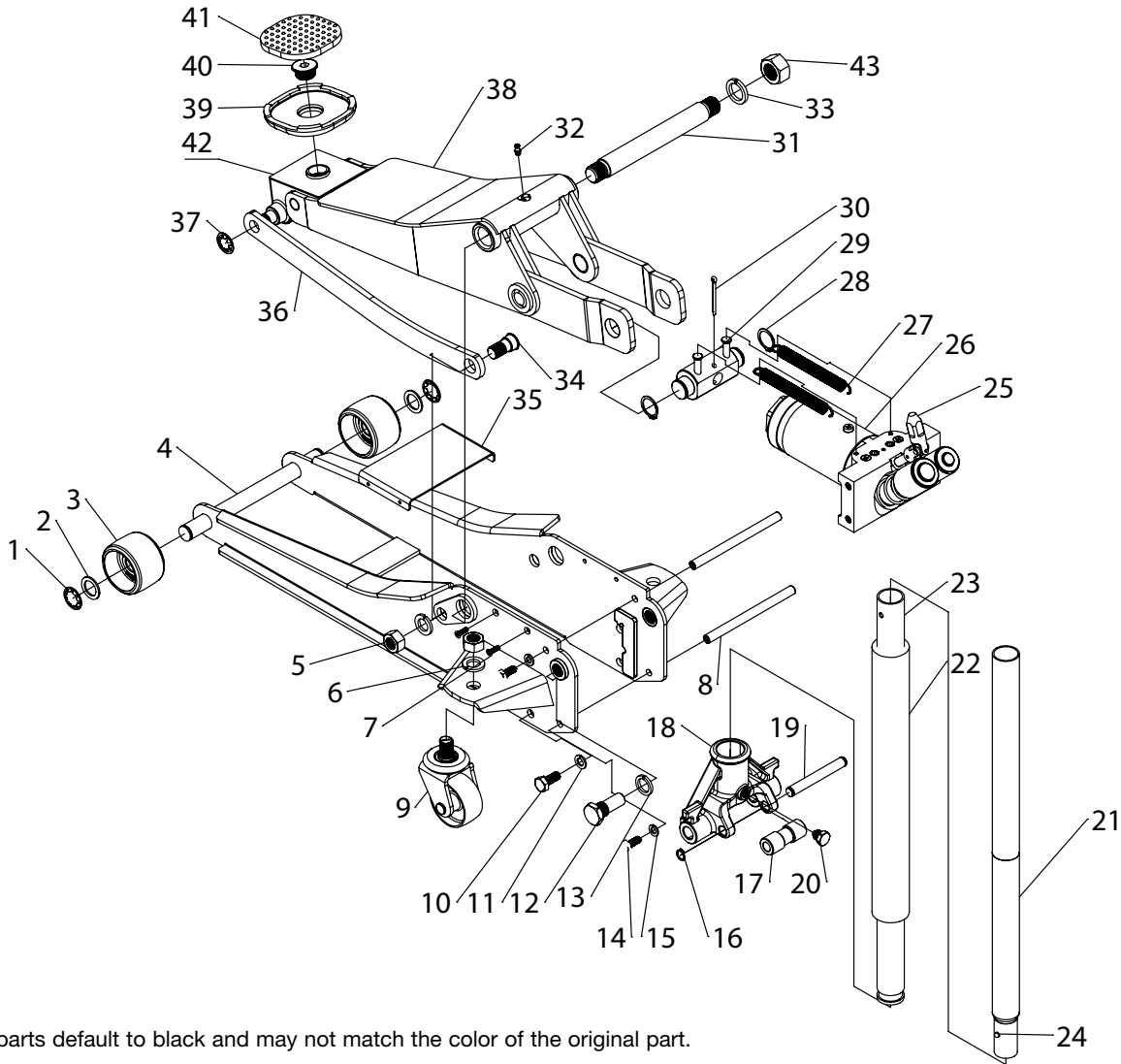
### MONTHLY or as necessary (depending on usage)

- #1 Using a grease gun, add grease to grease fitting in the lift arm pivot shaft.  
(Use a multi-purpose NLGI type grease only.)
- #2 Lubricate all linkages and pivot points.  
(Use white lithium spray grease only.)
- #3 Remove handle; lubricate handle receptacle and handle end.  
(Use white lithium spray grease only.)
- #4 Lubricate both rear casters bearings and both front wheels.  
(Use white lithium spray grease only.)

Tighten all accessible hardware.



# PARTS LIST AND DIAGRAM



Replacement parts default to black and may not match the color of the original part.

ITEM NO.	PART NO.	DESCRIPTION	QTY	ITEM NO.	PART NO.	DESCRIPTION	QTY
1	RS20000301	Push-On Retainer ring 20	2	23	RS20000323	Lower Handle Assembly	1
2	RS20000302	Wheel Bushing	2	24	RS20000324	Push Button	1
3	RS20000303	Front wheel	2	25	RS20000325	Release Assembly	1
4		Chassis Assembly	1	26	RS20000326	HPU Assembly	1
5		Hex Nut 16mm	4	27	RS20000327	Retraction Spring	2
6		Lock Washer 16mm	4	28		Retainer Ring 25mm	2
7		Screw M5x0.8-16mm LG	4	29		Trunnion Assembly	1
8		Support Bar	2	30		Cotter Pin 4mm X 40mm LG	1
9	RS20000309	Swivel Caster (incl. 5&6)	2	31		Pivot Pin	1
10		Hex Bolt M10x1.5-25mm LG	4	32		Grease fitting	1
11		Lock Washer 10mm	4	33		Lock Washer 22mm	1
12		Yoke Handle Bolt	2	34		Guide Arm Bolt	2
13		Lock Washer 18mm	2	35		Cover Plate	1
14		Hex Bolt M8x1.25-20mm LG	4	36		Guide Arm	2
15		Lock Washer 8mm	2	37		Push-On Retaining Ring 16mm	2
16		Yoke Roller Pin	1	38		Lift Arm Assembly	1
17		Retaining Ring 12mm	2	39	RS20000339	Saddle	1
18	RS20000318	Yoke Handle Roller	1	40	RS20000340	Saddle Screw	1
19		Handle Yoke	1	41	RS20000341	Rubber Saddle Pad	1
20	RS20000320	Handle Set Screw	1	42		Saddle Base	1
21	RS20000321	Upper Handle Assembly	1	43		Hex Nut 22mm	2
22	RS20000322	Handle Bumper	1	not shown	RSA200003PLK	Product Label Kit	

## SPECIFICATIONS

Capacity:	2,721 kgs (3 Ton / 6,000 lbs)
Minimum Lift Height:	83.82 mm (3.3 in)
Maximum Lift Height:	514.35 mm (20.25 in)
Lifting Range:	430.53 mm (16.95 in)
Saddle Diameter:	111.76 mm x 104.9 mm (4.4 in x 4.12 in)
Handle Length:	1148.1 mm (45.2 in)
Dimensions:	695.96 mm L X 366 mm W (27.4 in L x 14.40 in W)
Net Weight:	36.8 kgs (81.13 lbs)

## LIMITED WARRANTY

### **POWERSTATION, LLC WARRANTS TO ITS CUSTOMERS THAT THE COMPANY'S POWERSTATION, LLC BRANDED PRODUCTS ARE FREE FROM DEFECTS IN WORKMANSHIP AND MATERIALS.**

PowerStation, LLC will repair or replace its PowerStation, LLC branded products which fail to give satisfactory service due to defective workmanship or materials, based upon the terms and conditions of the following described warranty plans attributed to that specific product. This product carries a ONE-YEAR warranty. During this warranty period, PowerStation, LLC will repair or replace at our option any part or unit which proves to be defective in material or workmanship.

#### **Other important warranty information:**

This warranty does not cover damage to equipment or tools arising from alteration, abuse, misuse, damage and does not cover any repairs or replacement made by anyone other than PowerStation, LLC. The foregoing obligation is PowerStation, LLCs' sole liability under this or any implied warranty and under no circumstances shall we be liable for any incidental or consequential damages.

**Note:** Some states do not allow the exclusion or limitation of incidental or consequential damages, so the above limitation or exclusion may not apply to you. If you have any questions about warranty service, please contact PowerStation, LLC. This warranty gives you specific legal rights and you may also have other rights which vary from state to state.

## **1-800-879-7316**

Monday - Friday 8:30am to 5:30pm EST  
P.O. Box 1203  
Travelers Rest, South Carolina 29690  
English Only

## AVERTISSEMENTS



Ce symbole indique un danger potentiel. Il est utilisé pour avertir l'utilisateur des risques potentiels de blessures corporelles. Prière de respecter toutes les consignes de sécurité qui suivent ce symbole afin d'éviter les blessures ou la mort potentielles.

### ⚠ AVERTISSEMENT

AVERTISSEMENT : Ce symbole indique une situation dangereuse qui pourrait causer la mort ou des blessures graves si elle n'est pas évitée.



**IMPORTANT : LIRE CES CONSIGNES AVANT L'UTILISATION.  
IMPORTANT, À CONSERVER POUR DE FUTURS BESOINS DE RÉFÉRENCE :  
À LIRE SOIGNEUSEMENT**

PRIÈRE DE LIRE CES CONSIGNES ATTENTIVEMENT ET DE S'ASSURER DE BIEN COMPRENDRE LES PROCÉDURES D'UTILISATION, LES AVERTISSEMENTS DE SÉCURITÉ ET LES BESOINS EN MATIÈRE D'ENTRETIEN DE L'OUTIL AVANT DE L'UTILISER.

Le propriétaire doit s'assurer que tous les employés lisent ce manuel avant d'utiliser l'outil. Le propriétaire de l'outil doit aussi maintenir ce manuel en bon état et le ranger dans un endroit facilement accessible à tous ceux qui doivent le lire. Si le manuel ou les étiquettes de l'outil sont perdus ou illisibles, communiquer avec Arcan pour obtenir un remplacement. Si l'utilisateur ne parle pas couramment le français, les consignes de sécurité et le mode d'emploi de l'outil devront lui être lues à haute voix et être discutées avec l'utilisateur, dans sa langue maternelle, par le propriétaire/acheteur ou une personne désignée, afin d'assurer que l'utilisateur en comprenne bien le contenu.

## LE TYPE DE SITUATIONS DANGEREUSES

### ⚠ AVERTISSEMENT

L'utilisation de dispositifs de levage portatifs pour automobiles expose l'utilisateur à certains dangers qui ne peuvent pas être évités par des moyens mécaniques, mais seulement en faisant preuve d'intelligence, d'attention et de bon sens. Il est donc essentiel que les propriétaires et les employés qui utiliseront ce dispositif soient prudents, compétents, qualifiés et formés à l'utilisation sécuritaire de l'équipement. Des exemples de dangers comprennent le renversement, le glissement ou la chute soudaine de la charge. Ces dangers sont principalement imputables à une charge mal répartie, une utilisation sur une surface meuble ou inclinée, ou une utilisation à des fins autres que celles pour lesquelles le dispositif a été conçu.

## MÉTHODES POUR ÉVITER LES SITUATIONS DANGEREUSES

### ⚠ AVERTISSEMENT

- Lire, comprendre et appliquer toutes les consignes avant d'utiliser ce dispositif.
- Inspecter le cric avant chaque utilisation. Ne pas utiliser le cric s'il est endommagé, modifié, en mauvais état, instable en raison de pièces ou de quincailleries manquantes ou lâches ou s'il y a fuite de fluide hydraulique. Effectuer les réparations ou les réglages nécessaires avant l'utilisation.
- Placer le cric uniquement aux points spécifiés par le constructeur du véhicule.
- Portez une protection oculaire (utilisateur et personnes à proximité).
- Ne pas dépasser la capacité nominale du cric. Éviter un effet de choc sur la charge.
- **Ce dispositif sert uniquement au levage. Immédiatement après avoir levé le véhicule, placer les chandelles appropriées avant de travailler sur le véhicule.**
- Utiliser le cric seulement sur une surface de niveau et solide. Celle-ci doit être exempte d'obstructions afin que le cric puisse se repositionner du rant le levage et la descente.
- Centrer la charge sur la selle. S'assurer de la stabilité de l'installation avant de travailler sur le véhicule.
- Ne pas déplacer le véhicule lorsqu'il est supporté par le cric.
- Ne pas utiliser de matériaux qui pourraient servir d'élevateurs, espaceurs ou extendeurs entre la charge et la selle de levage.
- Ne pas utiliser d'adaptateurs en remplacement de la selle de levage sinon ceux fournis par le fabricant du cric ou ayant reçu son approbation.
- Ne pas utiliser (ou modifier) ce produit pour un usage autre que celui pour lequel il a été conçu sans consulter le représentant autorisé du fabricant.
- L'inobservance de ces méthodes peut causer des dommages matériels, des blessures corporelles graves ou mortelles, ou les deux.



**WARNING:** This product can expose you to chemicals including nickel, which is known to the State of California to cause cancer and birth defects or other reproductive harm. For more information go to [www.P65Warnings.ca.gov](http://www.P65Warnings.ca.gov).

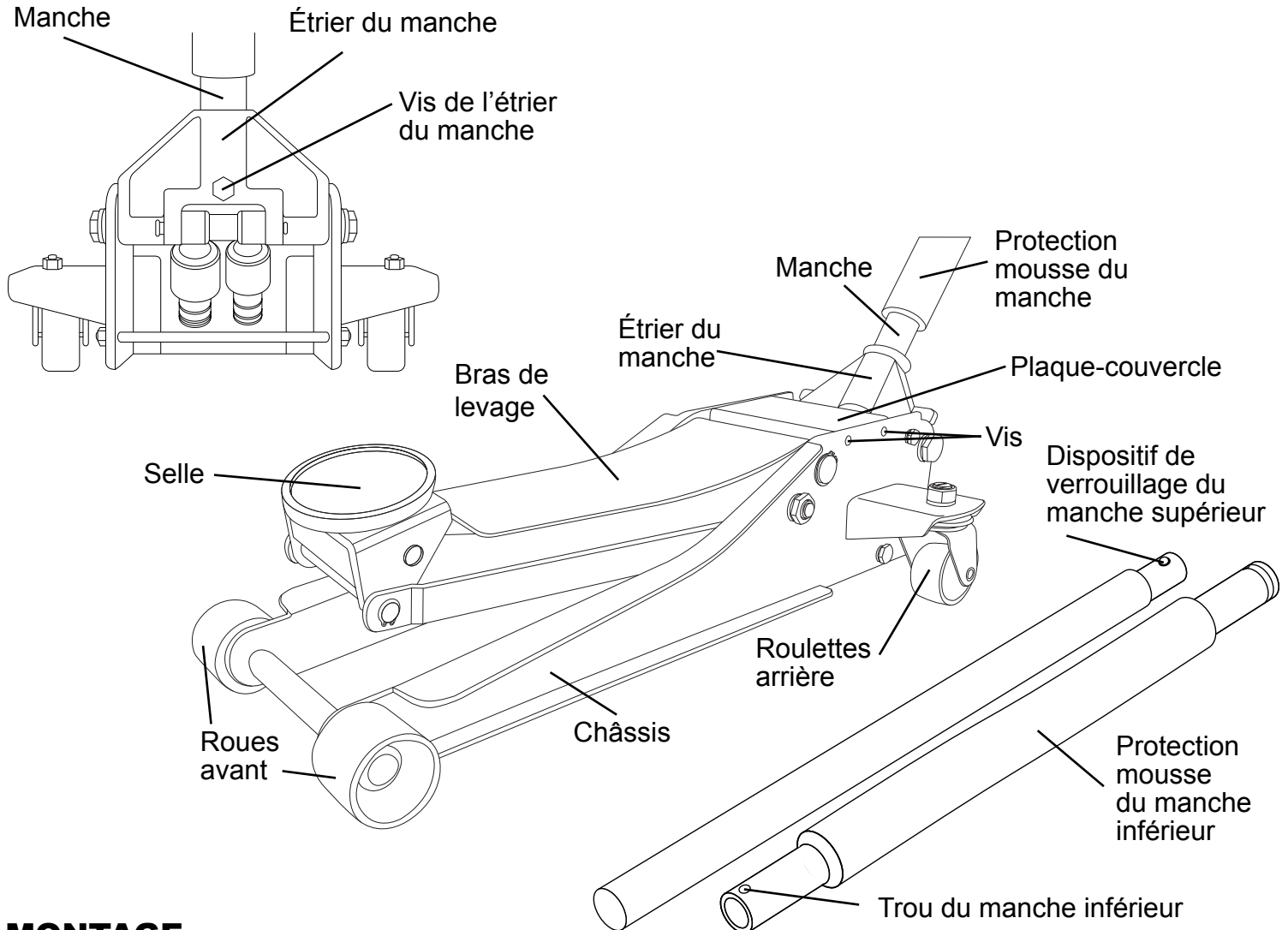
## CONSÉQUENCES EN CAS DE SITUATIONS DANGEREUSES

### ⚠ AVERTISSEMENT

L'inobservance des CONSIGNES D'UTILISATION, des MISES EN GARDE, des CONSIGNES D'ENTRETIEN ainsi que des MÉTHODES POUR ÉVITER LES SITUATIONS DANGEREUSES peut causer des accidents ayant pour conséquences des dommages matériels ou des blessures corporelles graves ou mortelles.

## INSPECTION

L'inspection visuelle doit être effectuée avant chaque utilisation du cric, en vérifiant s'il y a des fuites de fluide hydraulique et des pièces endommagées, desserrées ou manquantes. Tout cric qui semble être endommagé de quelque manière que ce soit, est jugé très usé ou fonctionne de façon anormale DOIT ÊTRE RETIRÉ DU SERVICE jusqu'à ce que les réparations nécessaires soient effectuées.



## MONTAGE

- Appuyer sur le cliquet de verrouillage de la partie supérieure du manche tout en insérant l'extrémité de la partie supérieure du manche dans la partie inférieure du manche. Faire tourner dans les deux sens la partie supérieure du manche jusqu'à ce que le cliquet se positionne dans l'orifice de la partie inférieure du manche.
- Graisser l'intérieur du cylindre d'appui du manche de façon que le manche tourne librement dedans. Retirer la vis du cylindre d'appui du manche. Insérer entièrement l'extrémité de la partie inférieure du manche dans le cylindre d'appui jusqu'à ce qu'elle enclenche la vanne de décharge. Fixer le manche dans son cylindre d'appui en repositionnant la vis, puis serrer la vis. Faire tourner le manche pour s'assurer qu'il fait tourner la vanne de décharge. Tirer sur le manche pour s'assurer qu'il est fermement fixé à son cylindre d'appui. Si la vanne de décharge ne tourne pas ou si le manche ressort du cylindre d'appui, recommencer l'étape n° 2.
- IMPORTANT:** Normalement, le cric fonctionne correctement dès son montage initial, mais il arrive que de l'air reste bloqué dans son circuit hydraulique lors du transport ou de la manutention. Lorsque de l'air reste bloqué dans le circuit hydraulique, il peut arriver que : les coups de pompe ne s'effectuent que partiellement ; le cric ne permette pas à soulever la charge ; le cric ne permette pas de maintenir la charge soulevée ; le pompage semble mou une fois le cric chargé. L'opération suivante permet de purger l'air bloqué dans le circuit hydraulique. N'appliquer cette procédure que si l'un des signes indiqués ci-dessus se manifeste.
  - Fermer la vanne de décharge en tournant le manche dans le sens des aiguilles d'une montre, jusqu'à son arrêt. Tourner ensuite le manche dans le sens inverse des aiguilles d'une montre en faisant deux tours complets. Actionner complètement la pompe du cric dix fois successivement.
  - Faire tourner le manche dans le sens des aiguilles d'une montre jusqu'à ce qu'il soit serré, puis actionner la pompe du bras de levage jusqu'à la hauteur maximale (sans charge). Recommencer les étapes a) et b) jusqu'à ce que le circuit soit purgé de l'air bloqué.

**ATTENTION :** Pour éviter d'endommager le joint et de provoquer une défaillance du cric, ne jamais employer d'alcool, de liquide de frein hydraulique ou d'huile pour transmission. Employer de l'huile pour cric hydraulique (huile légère pour turbine).

**IMPORTANT :** Avant d'entreprendre de soulever un quelconque véhicule, vérifier les surfaces de levage recommandées par le manuel d'entretien du véhicule.

## MODE D'EMPLOI



Ce symbole sert à identifier les risques de blessures dans la rubrique MODE D'EMPLOI. Suivre les consignes afin d'éviter les risques de blessure ou de mort. **IMPORTANT** : Avant d'effectuer une tentative de levage d'un véhicule quelconque, consulter le manuel du propriétaire du véhicule pour en connaître les points d'appuis recommandés par le constructeur.

## MODE D'EMPLOI

1. Mettez la transmission du véhicule en position de stationnement ou en vitesse, puis serrez le frein d'urgence.  
**Pour soulever la charge** : Tournez la poignée dans le sens des aiguilles d'une montre jusqu'à ce qu'elle soit bien serrée. Placez le cric sous la charge. Commencez à pomper la poignée afin de soulever le bras de levage jusqu'à la charge. Alors que la selle à l'extrémité du bras de levage s'approche de la charge, remplacez le cric afin que la selle entre fermement en contact avec la charge et afin que la charge soit centrée sur la selle. Assurez-vous que la selle est correctement positionnée. Soulevez la charge à la hauteur de travail désirée. Placez les chandelles de la capacité appropriée aux emplacements de soutien recommandés par le fabricant du véhicule afin de fournir un soutien stable pour le véhicule soulevé. **NE RAMPEZ PAS SOUS LE VÉHICULE LORS DU SOULÈVEMENT DE CELUI-CI OU NE RETIREZ PAS LES CHANDELLES** ! Une fois que les chandelles sont placées de manière appropriée, tournez la poignée TRÈS LENTEMENT. Abaissez la charge afin qu'ils reposent sur les chandelles. Inspectez le rapport entre les chandelles et la charge afin de vous assurer que l'installation est stable et sécuritaire. Si l'installation n'est pas stable ou sécuritaire, suivez les étapes précédentes jusqu'à ce que la situation soit corrigée.
2. **Pour abaisser la charge** : Suivez les procédures mentionnées dans la section « Pour soulever la charge » des INSTRUCTIONS D'UTILISATION afin de soulever la charge hors des chandelles. Une fois que la charge a libéré les chandelles, retirez les chandelles de dessous la charge et loin de la zone de manoeuvre. Tournez la poignée très lentement dans le sens contraire des aiguilles d'une montre jusqu'à ce que la charge soit complètement abaissée au sol. Une fois que la selle de levage du cric a libéré la charge, retirez le cric du dessous de la charge. **ATTENTION** : Gardez les mains et les pieds hors de portée du mécanisme de charnière du cric. **NE RAMPEZ PAS SOUS LE VÉHICULE LORS DU SOULÈVEMENT DE CELUI-CI OU NE RETIREZ PAS LES CHANDELLES** !

## ENTRETIEN PRÉVENTIF



Ce symbole sert à identifier les risques de blessures dans la rubrique ENTRETIEN PRÉVENTIF. Suivre les consignes afin d'éviter les risques de blessure ou de mort.

1. Toujours entreposer le cric dans un endroit bien abrité, protégé des intempéries, des vapeurs corrosives, des poussières abrasives et de toute autre substance nocive. Avant utilisation, le cric doit être débarrassé de l'eau, de la neige, du sable, des gravillons, de la graisse ou de tout autre corps étranger susceptible d'être présent.
2. Le cric doit être lubrifié périodiquement afin d'éviter l'usure prématurée des pièces. Une graisse à usage général doit être appliquée sur tous les embouts graisseurs, les roulettes, l'essieu avant, le bras de levage, l'axe d'articulation du support du manche, le mécanisme de dégagement et toutes les surfaces portantes. Les pièces usées résultant d'une lubrification insatisfaisante ou d'aucune lubrification ne sont pas admissibles à la garantie. Pour des instructions de lubrification, consultez la page 16.

**IMPORTANT**: Afin d'éviter les dommages d'étanchéité et la défaillance du cric, n'utilisez jamais d'alcool, de liquide de frein hydraulique ou d'huile de transmission dans le cric. Utilisez de l'huile hydraulique ou une huile de turbine légère.

3. Il incombe au propriétaire du cric de garder propres et lisibles les étiquettes du cric. Laver les surfaces externes du cric à l'aide d'un savon doux, tout en évitant les pièces hydrauliques mobiles.
4. Une inspection visuelle du cric devrait être effectuée avant chaque utilisation. Ne pas utiliser le cric si des pièces présentent des signes de dommages tels que des fissures, des fuites ou des pièces endommagées, déformées ou manquantes. Ne pas utiliser le cric si des pièces sont manquantes, lâches ou ont été modifiées d'une façon quelconque. Effectuer les correctifs nécessaires avant d'utiliser le cric à nouveau.

## ENTREPOSAGE ADÉQUAT

Il est conseillé d'entreposer le cric dans un endroit sec; toutes les roues doivent être en contact avec le sol sur une surface relativement rigide.

## DÉPANNAGE

**Important** : Les crics de levage sont des mécanismes autonomes qui servent à soulever des charges et non à soutenir une charge partielle de véhicule. Conformément à normes de l'ASME-PALD, portant sur le test de soutien d'une charge : « Une charge qui ne dépasse pas la capacité nominale...ne s'abaissera pas de plus 3,18 mm (1/8 po) la première minute, et ne s'abaissera pas de plus de 4,76 mm (0,1875 po) au bout de 10 minutes. » Une fuite en-deçà de cette marge est considérée normale et n'est pas considérée comme un vice de fabrication pouvant se réclamer de la garantie.

PROBLEM	ACTION
1. Unit will not lift rated load.	Purge air from hydraulic system by following procedure under SETUP.
2. Unit will not sustain rated load or feels "spongy" under rated load.	Purge air from hydraulic system as above.
3. Unit will not lift to full height.	Purge air from hydraulic system as above.
4. Unit will not lower completely.	Check oil level. Make sure hydraulic system is not overfilled.
5. Handle tends to raise up while the unit is under rated load.	Pump the handle rapidly several times to push oil past ball valves in power unit.
6. Unit still does not operate.	Contact customer service (page 16).

# GUIDE D'ENTRETIEN DE CRIC HYDRAULIQUE

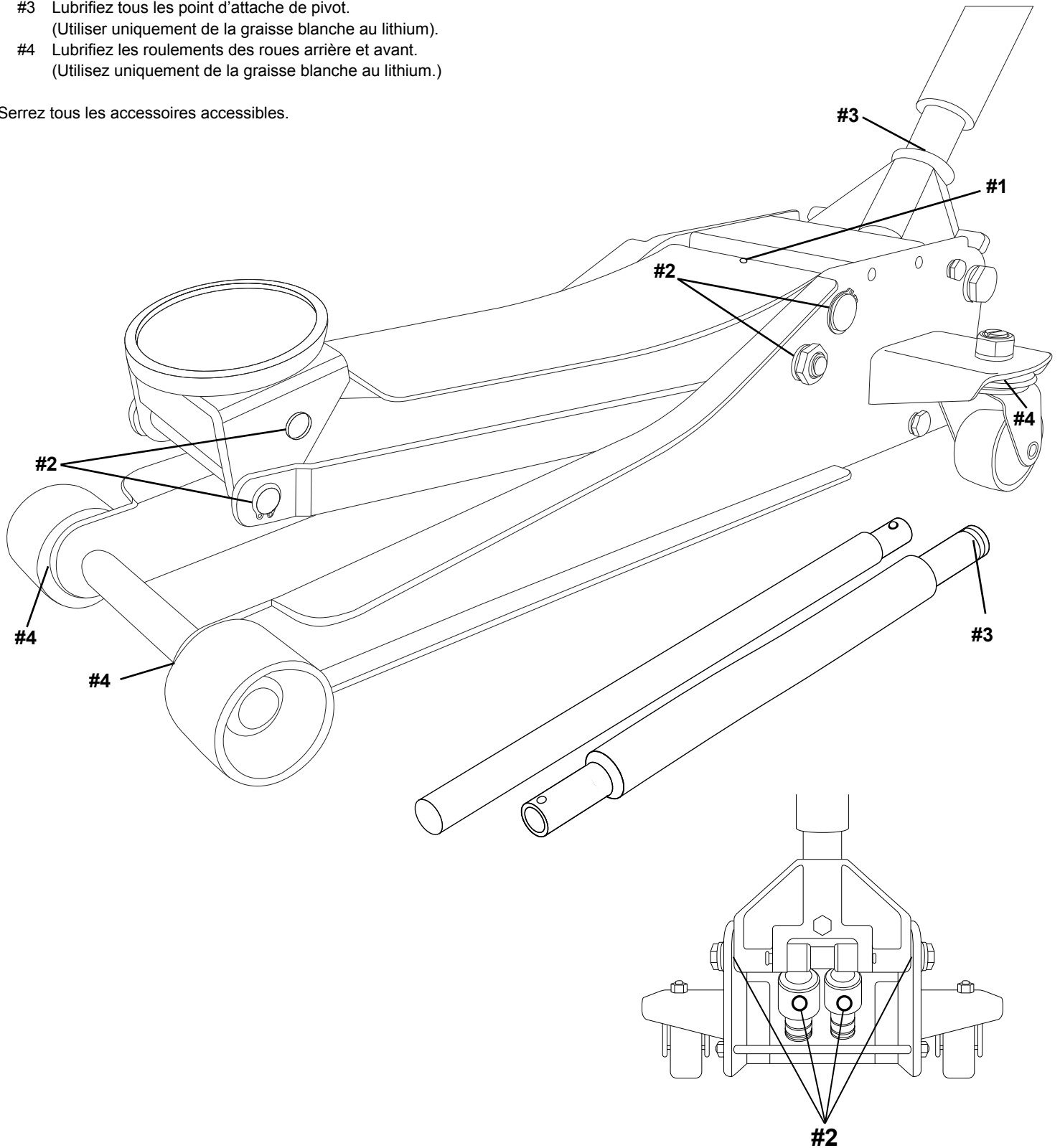
**IMPORTANT :** Les crics de service sont conçus pour le levage seulement; toujours soutenir la charge soulevée à l'aide de support de cric.

## ENTRETIEN RÉGULIER

### Mensuellement ou selon les besoins (selon l'utilisation)

- #1 À l'aide d'un pistolet à graisse, ajouter de la graisse à l'arbre de rotation du bras de levage.  
(Utiliser uniquement une graisse polyvalente de type NLGI.)
- #2 Lubrifiez tous les point d'attache de pivot.  
(Utiliser uniquement de la graisse blanche au lithium.)
- #3 Lubrifiez tous les point d'attache de pivot.  
(Utiliser uniquement de la graisse blanche au lithium.)
- #4 Lubrifiez les roulements des roues arrière et avant.  
(Utilisez uniquement de la graisse blanche au lithium.)

Serrez tous les accessoires accessibles.



## SPÉCIFICATIONS

Capacité :	2,721 kgs (3 Ton / 6000 livres)
Hauteur de levage minimale :	83.82 mm (3.3 in)
Hauteur de levage maximale :	514.35 mm (20.25 in)
Amplitude de levage :	430.53 mm (16.95 in)
Diamètre de la selle :	111.76 mm x 104.9 mm (4.4 in x 4.12 in)
Longueur du manche :	1148.1 mm (45.2 in)
Dimensions :	695.96 mm L X 366 mm W (27.4 in L x 14.40 in W)
Poids net :	36.8 kgs (81.13 lbs)

## GARANTIE LIMITÉE

### **ARCAN Professional Tools GARANTIT À SES CLIENTS QUE LES PRODUITS DE LA SOCIÉTÉ POWERSTATION, A LA MARQUE LLC SONT SANS DÉFAUTS DE FABRICATION ET DE MATIÈRE.**

ARCAN Professional Tools réparera ou remplacera ses produits de marque ARCAN Professional Tools qui ne donnent pas un service satisfaisant en raison d'un défaut de fabrication ou de matériaux, en fonction des termes et conditions des plans de garantie décrits ci-dessous attribués à ce produit spécifique. Ce produit est livré avec une garantie d'un an. Pendant cette période de garantie, ARCAN Professional Tools réparera ou remplacera, à notre choix, toute pièce ou unité qui se révèle défectueuse en termes de matériaux ou de fabrication.

#### **Autres informations importantes sur la garantie:**

Cette garantie ne couvre pas les dommages aux équipements ou aux outils résultant d'une altération, d'une utilisation abusive, d'un dommage et ne couvre pas les réparations ou remplacements effectués par des personnes autres que ARCAN Professional Tools. Garantie implicite et en aucun cas nous ne serons tenus responsables de dommages accessoires ou consécutifs.

**Remarque:** Certains états n'autorisent pas l'exclusion ou la limitation des dommages accessoires ou consécutifs, de sorte que la limitation ou l'exclusion ci-dessus peut ne pas s'appliquer à vous. Si vous avez des questions sur le service de garantie, contactez ARCAN Professional Tools. Cette garantie vous donne des droits légaux spécifiques et vous pouvez également avoir d'autres droits qui varient d'un état à l'autre.

## INFORMACIÓN DE ADVERTENCIA



Este es el símbolo de alerta de seguridad. Se utiliza para alertarlo de los peligros posibles de lesión personal. Obedezca todos los mensajes de seguridad que van después de este símbolo para evitar una lesión posible o la muerte.

### ⚠ ADVERTENCIA

ADVERTENCIA: Indica una situación peligrosa que, si no se evita, podría resultar en muerte o una lesión grave.



**IMPORTANTE: LEA ESTAS INSTRUCCIONES ANTES DE OPERARLO**  
**IMPORTANTE: CONSERVE PARA FUTURA REFERENCIA. LEA CUIDADOSAMENTE**

ANTES DE UTILIZAR ESTE APARATO, LEA ESTE MANUAL COMPLETA Y CONCIENZUDAMENTE, ENTIENDA SUS PROCEDIMIENTOS DE OPERACIÓN, ADVERTENCIAS DE SEGURIDAD Y REQUISITOS DE MANTENIMIENTO.

Es responsabilidad del propietario asegurarse que todo el personal lea este manual antes de utilizar el aparato. También es responsabilidad del dueño del aparato mantener este manual intacto y en un lugar conveniente para que todos lo vean y lo lean. Comuníquese con Powerstation si necesita una etiqueta de reemplazo si la etiqueta del pedestal del gato no se puede leer.

## ÍNDOLE DE SITUACIONES PELIGROSAS

### ⚠ ADVERTENCIA

El uso de aparatos de elevación automotriz portátiles está sujeto a ciertos peligros que no se pueden evitar por medios mecánicos, sino únicamente si se ejerce inteligencia, cuidado y sentido común. Es esencial que el personal que tenga que ver con el uso y la operación del aparato sea cuidadoso, competente, capacitado y preparado en la operación segura del aparato y su uso adecuado cuando se dé servicio a los vehículos automotrices y sus componentes. Ejemplos de peligros son dejarlo caer, inclinarlo o que se resbalen las cargas a causa principalmente de que las cargas estén aseguradas de manera inadecuada, sobrecarga, cargas que no estén centradas, uso en superficies que no sean parejas y uso del equipo para un propósito para el cuál no se fabricó.

## MÉTODOS PARA EVITAR SITUACIONES PELIGROSAS

### ⚠ ADVERTENCIA

- Lea, estudie, entienda y siga todas las instrucciones antes de operar este aparato.
- Inspeccione el gato antes de cada uso. No use el gato si está dañado, alterado, modificado, en malas condiciones, con fuga de líquido hidráulico o es inestable por componentes sueltos o faltantes. Haga las correcciones antes de usar.
- Levante únicamente en áreas del vehículo como lo especifica el fabricante del vehículo.
- Use protección para los ojos que cumpla con las normas ANSI Z87.1 y OSHA.
- No use el gato más allá de su capacidad clasificada.
- Este es un aparato de elevación únicamente. Inmediatamente después de levantar, apoye el vehículo con pedestales (burros) para gatos capaces de sostener la carga antes de trabajar en el vehículo.
- Úselo solo en una superficie nivelada dura capaz de soportar la carga y libre de obstrucciones para que el gato pueda reposicionarse libremente durante las operaciones de elevación y descenso.
- Centre la carga en el soporte. Asegúrese de que el montaje sea estable antes de trabajar en el vehículo.
- No mueva o jale el vehículo con una carretilla mientras esté en el gato.
- No utilice adaptadores o extensores para soportes entre el cuerpo del soporte de elevación y la carga.
- No utilice ningún adaptador a menos que lo apruebe o suministre Arcan.
- Siempre baje el gato lenta y cuidadosamente.
- No poner atención a estas advertencias podría resultar en lesiones personales mortales y/o daños materiales.



ADVERTENCIA: Este producto le podrá exponer a ciertos químicos, para incluir el níquel, conocidos en el Estado de California por ocasionar cáncer y defectos congénitos u otros daños a la reproducción. Para mayores informes, visite: [www.P65Warnings.ca.gov](http://www.P65Warnings.ca.gov).

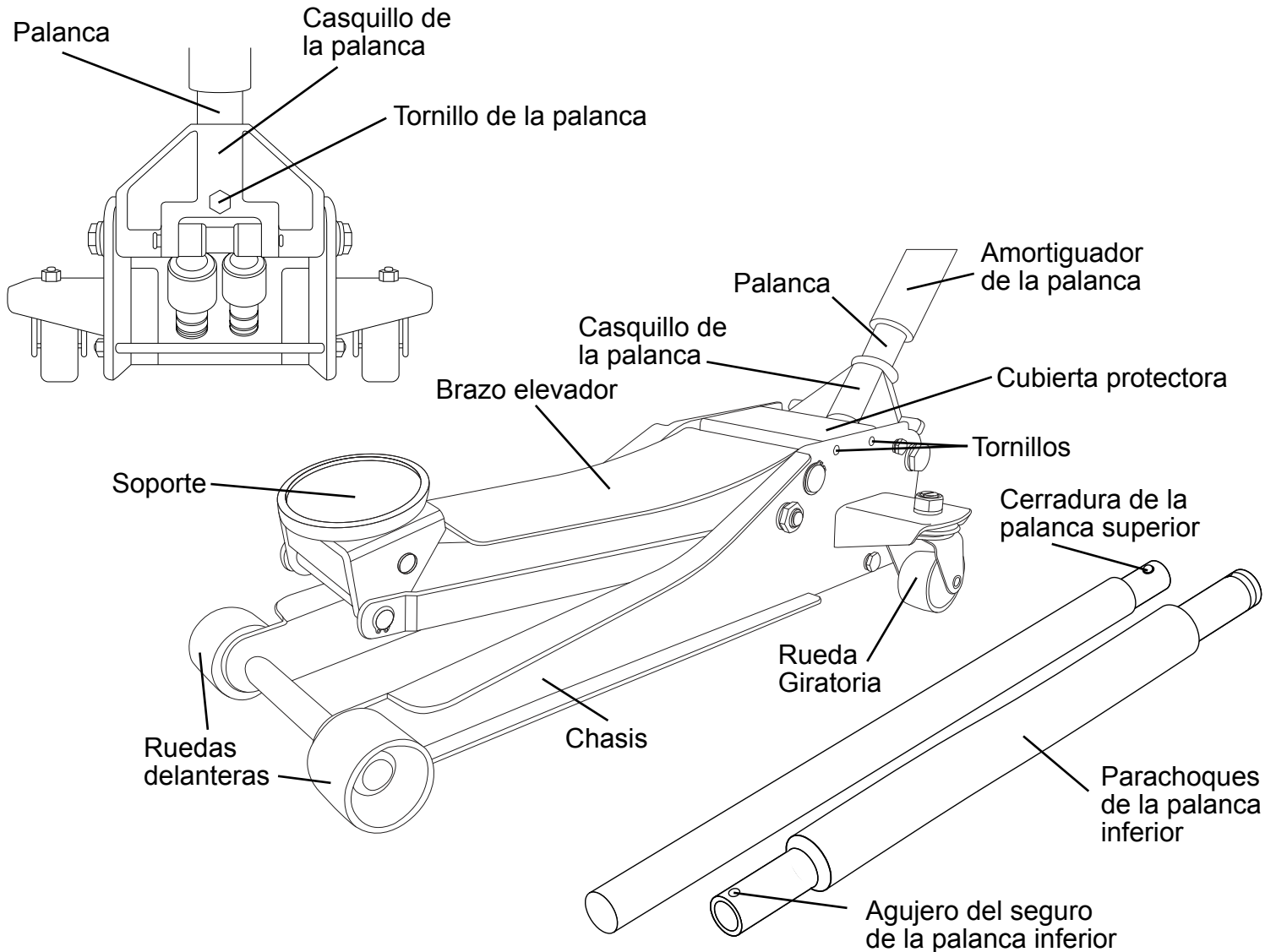
## CONSECUENCIAS POR NO EVITAR SITUACIONES PELIGROSAS

### ⚠ ADVERTENCIA

Si no lee este manual completa y concienzudamente, no entiende sus INSTRUCCIONES DE OPERACIÓN, ADVERTENCIAS DE SEGURIDAD, INSTRUCCIONES DE MANTENIMIENTO y no cumple con ellas, y si no cumple con los MÉTODOS PARA EVITAR SITUACIONES PELIGROSAS, podría ocasionar accidentes que resulten en lesiones personales graves o mortales y/o daños materiales.

## INSPECCIÓN

Se debe hacer una inspección visual antes de cada uso del gato, verificar fuga de líquido hidráulico y partes dañadas, sueltas o faltantes. Algún gato que parezca estar dañado de alguna manera, se encuentra que esté muy desgastado u opere anormalmente DEBE RETIRARSE DE SERVICIO hasta que se hagan las reparaciones necesarias.



## MONTAJE

1. Presione el seguro de la manivela superior en la manivela superior al mismo tiempo que se inserte simultáneamente el extremo de la manivela superior en la manivela inferior. Gire la manivela superior de un lado para otro una y otra vez hasta que el seguro de la manivela se asiente en el agujero del seguro de la manivela inferior.
2. Lubrique la parte interior del la abrazadera del mango con el fin de que el mango gire libremente dentro de la abrazadera. Inserte el extremo del mango inferior completamente en la abrazadera del mango hasta que se encaje con el conjunto de la válvula de liberación. Sujete el mango en la abrazadera del mango al instalar de nuevo el tornillo de la abrazadera del mango y apretarlo. Jale el mango para asegurarse que esté sujetado en la abrazadera del mango. Si el conjunto de la válvula de liberación no está girándose y/o el mango se sale al jalarse de la abrazadera del mango, repita el paso 2.
3. **IMPORTANTE:** En la mayoría de los casos, el gato debe funcionar de forma normal al sacarse de la caja, sin embargo no es común que se atrape aire en el sistema hidráulico del gato durante el transporte y maniobra. Hay varias indicaciones de un sistema hidráulico con aire atrapado, lo que incluye un recorrido incremental sólo parcial de la bomba, el gato no elevará la carga, el gato no sostendrá la carga o el bombeo se siente esponjoso bajo la carga. El procedimiento a continuación purgará el aire del sistema hidráulico y se requiere sólo si se experimenten algunas de las condiciones mencionadas anteriormente.
  - a) Cierre la válvula de liberación al girar el mango en el sentido de las agujas del reloj hasta que este se pare. Ahora gire el mango dos revoluciones completas en el contrasentido de las agujas del reloj y bombee el mango 10 recorridos de bomba incrementales completos.
  - b) Repita los pasos a) al b) hasta que se haya purgado todo el aire del sistema.

**PRECAUCIÓN:** Con el fin de prevenir daños al sello y fallas del gato, nunca use alcohol, líquido para frenos hidráulicos, ni aceite para transmisiones en el gato. Use un aceite hidráulico para gatos, un aceite ligero para turbinas, el aceite hidráulico AW ISO 32Chevron o Unax AW 150de Unocal.

**IMPORTANTE:** Antes de intentar la elevación de cualquier vehículo, revise el manual de servicio del vehículo por superficies de levantamiento recomendadas.

## INSTRUCCIONES DE OPERACIÓN



Este es el símbolo de alerta de seguridad que se utiliza en la sección de INSTRUCCIONES DE OPERACIÓN de este manual para alertarlo de posibles peligros de lesión personal. Obedezca todas las instrucciones para evitar una lesión posible o muerte. **IMPORTANTE:** Antes de intentar levantar algún vehículo, verifique el manual de servicio del vehículo para ver las recomendaciones de superficies de elevación.

### OPERACIÓN

1. Ponga la transmisión del vehículo en "Park" o meta la velocidad y luego, aplique el freno de mano. Para levantar la carga: Dé vuelta a la palanca en dirección de las manecillas del reloj hasta que esté apretado. Posicione el gato debajo de la carga. Proceda a bombear la palanca con el fin de levantar el brazo elevador hacia la carga. A medida que el soporte al final del brazo elevador se acerque cada vez más a la carga, vuelva a posicionar el gato de manera que el soporte entre en contacto con la carga firmemente y la carga esté centrada en el soporte. Asegúrese que el soporte esté posicionado correctamente. Levante la carga a la altura deseada para trabajar. Coloque pedestales (burros) para gato de capacidad adecuada en las áreas de soporte recomendadas por el fabricante del vehículo que proporcionen apoyo estable al vehículo levantado. **¡NO SE META DEBAJO DEL VEHÍCULO MIENTRAS ESTÉ LEVANTANDO EL VEHÍCULO O COLOCANDO O QUITANDO LOS PEDESTALES PARA GATO!** Una vez que los pedestales para gato estén posicionados, volteé la palanca del gato MUY LENTAMENTE en sentido opuesto a las manecillas del reloj para bajar la carga y coloque en los pedestales para gato. Inspeccione la relación entre los pedestales para gato y la carga para asegurarse que el montaje sea estable y seguro. Si el montaje no es estable o seguro, siga los pasos anteriores hasta que se corrija.
2. Para bajar la carga: Siga los procedimientos que se mencionan en la sección "Para levantar la carga" de las INSTRUCCIONES DE OPERACIÓN para levantar y quitar la carga de los pedestales para gato. **¡NO SE META DEBAJO DEL VEHÍCULO MIENTRAS ESTÉ LEVANTANDO EL VEHÍCULO O COLOCANDO O QUITANDO LOS PEDESTALES PARA GATO!** Una vez que la carga se haya retirado de los pedestales para gato, saque los pedestales para gato de debajo de la carga y retírelos del área de trabajo. Dé vuelta a la palanca muy lentamente en dirección opuesta a las manecillas del reloj hasta que la carga se haya bajado completamente al piso. Una vez que el soporte de elevación del gato ya no tenga la carga, saque el gato de debajo de la carga. **PRECAUCIÓN:** Mantenga las manos y pies lejos del mecanismo de bisagras del gato.

### MANTENIMIENTO PREVENTIVO



Este es el símbolo de alerta de seguridad que se utiliza en la sección de MANTENIMIENTO PREVENTIVO de este manual para alertarlo de los peligros posibles de lesión personal. Obedezca todas las instrucciones para evitar lesión posible o la muerte.

1. Siempre guarde el gato en un área bien protegida en que no esté expuesto al clima inclemente, vapores corrosivos, polvo abrasivo o algún otro elemento dañino. Previo al uso, el gato deberá estar limpio de arena, arenilla, aceite, grasa u otras materias extrañas.
2. El gato debe lubricarse periódicamente con el fin de prevenir desgaste prematuro de las piezas. Debe aplicarse una grasa multiusos a las ruedas, eje delantero, brazo elevador, pasadores giratorios de la base de la palanca, mecanismo de desconexión y todas las otras superficies con rodamientos. Las piezas que se desgasten como resultado de una lubricación inadecuada o inexistente no cumplen con los requisitos de consideración de la garantía. Vea la página 10 para las instrucciones de lubricación.

**IMPORTANTE:** Para prevenir el daño y la falla del gato, nunca use alcohol, líquido de frenos hidráulicos o aceite de transmisión en el gato. Use aceite para gatos hidráulicos, un aceite ligero para turbinas, Chevron AW ISO 32 o Unocal Unax AW 150.

3. Todos los dueños son responsables de mantener las etiquetas del gato limpias y leíbles. Utilice una solución ligera con jabón para lavar las superficies externas del gato, pero no los componentes hidráulicos que se muevan.
4. Inspeccione el gato antes de cada uso. No utilice el gato si algún componente está agrietado, roto, doblado, muestra señales de daño o fugas de líquido hidráulico. No use el gato si tiene equipo o componentes sueltos o faltantes o está modificado de alguna manera. Tome acción correctiva antes de utilizar el gato nuevamente.

### ALMACENAMIENTO ADECUADO

Se recomienda que el gato se guarde en un lugar seco con todas las ruedas tocando el piso en una superficie relativamente pareja.

### LOCALIZACIÓN Y RESOLUCIÓN DE PROBLEMAS

Importante: Los gatos de servicio son aparatos auto contenidos que se utilizan para elevar, pero no para sostener, una carga vehicular parcial. De acuerdo con la Prueba para Sostener Cargas ASME-PALD: "Una carga que no sea menor que la capacidad clasificada...no deberá bajar más de 1/8" (3.18mm) en el primer minuto, ni un total de 0.1875" (4.76mm) en 10 minutos." Bajar dentro de este rango se considera operación normal y NO es un defecto que se pueda garantizar.

PROBLEMA	ACCIÓN
1. La unidad no elevará la carga nominal.	Expulsa el aire del sistema hidráulico al seguir el procedimiento bajo LAS MONJAGE
2. La unidad no sostendrá la carga nominal o se siente "esponjada" bajo la carga nominal.	Expulsa el aire del sistema hidráulico como indicado anteriormente. esponjoso bajo la carga.
3. El equipo no levantará la carga hasta la altura normal.	Expulsa el aire del sistema hidráulico como indicado anteriormente. Revisa que los niveles de aceite no estén ni altos ni bajos.
4. El equipo no se bajará completamente.	Revisa el nivel de aceite. Asegura que no esté sobre lleno el contenidor.
5. La manivela tiende a elevarse mientras que la unidad esté baja la carga nominal.	Sube y baja el mango rápidamente varias veces para empujar sostiene una carga. el aceite más allá de las válvulas de cojinete en el aparato de capacidad eléctrica.
6. El equipo aún no funciona.	Comuníquese con servicio al cliente.

## GUÍA DE MANTENIMIENTO HIDRÁULICO

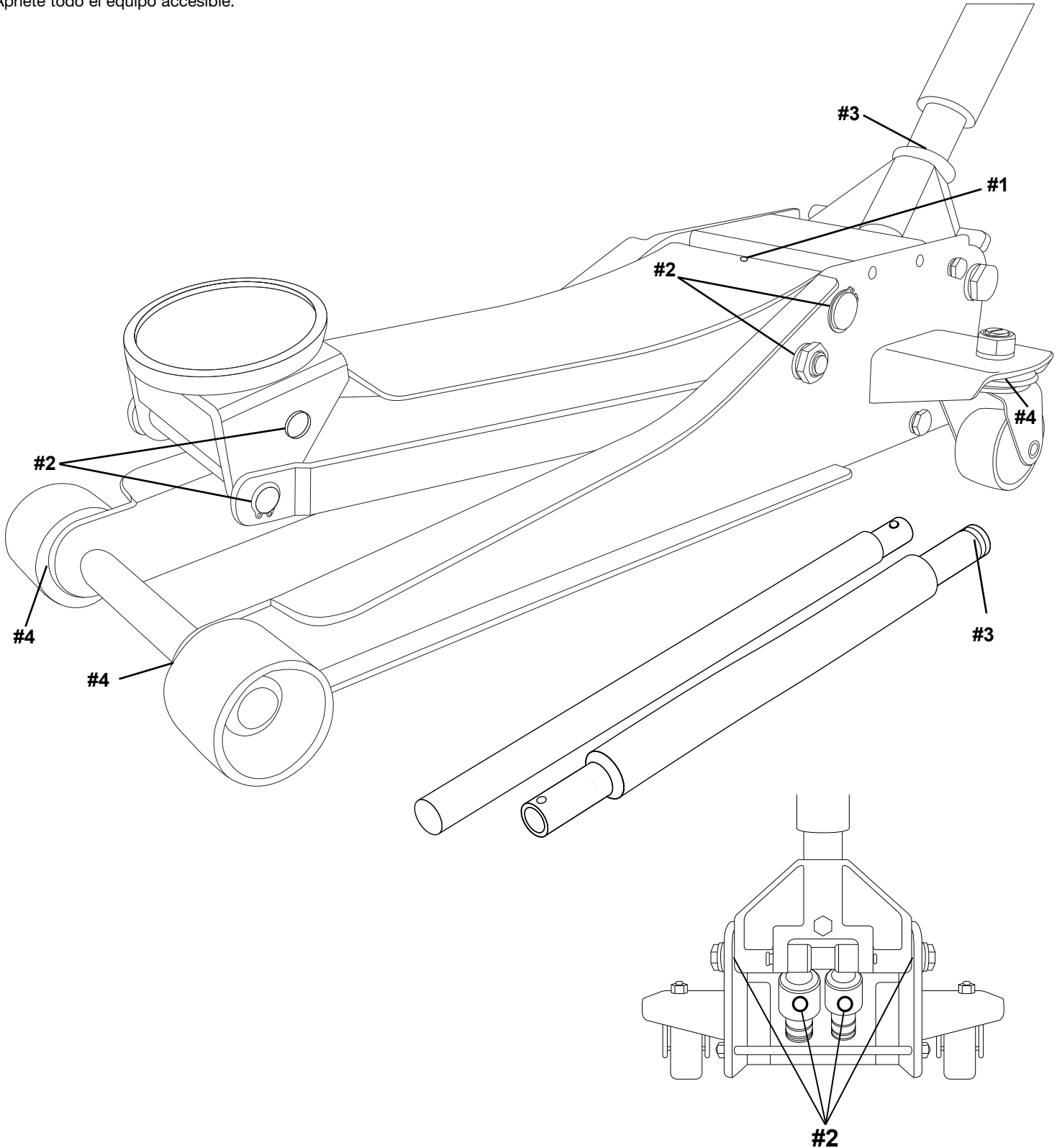
IMPORTANTE: Los gatos de servicio están diseñados para efectos de elevación únicamente; siempre apoye la carga levantada con pedestales para gato.

### MANTENIMIENTO REGULAR

#### MENSUALMENTE o según sea necesario (dependiendo del uso)

- #1 Con una pistola de grasa, engrase el accesorio en el eje giratorio del brazo elevador. (Utilice una grasa tipo NLGI multiusos únicamente).
- #2 Lubrique todas las conexiones y puntos giratorios. (Use grasa en aerosol de litio blanco únicamente.)
- #3 Quite la palanca; lubrique el receptáculo de la palanca y el extremo de la palanca. (Utilice grasa en aerosol de litio blanco únicamente.)
- #4 Lubrique ambos rodamientos de las ruedas posteriores y ambas ruedas delanteras. (Utilice grasa en aerosol de litio blanco únicamente.)

Apriete todo el equipo accesible.



## ESPECIFICACIONES

Capacidad:	2,722 kgs (3 Ton / 6.000 libras)
Mínima altura de elevación:	83.82 mm (3.3 in)
Máxima altura de elevación:	514.35 mm (20.25 in)
Rango de elevación:	430.53 mm (16.95 in)
Diámetro de la silla:	111.76 mm x 104.9 mm (4.4 in x 4.12 in)
Largura del mango:	1148.1 mm (45.2 in)
Dimensiones:	695.96 mm L X 366 mm W (27.4 in L x 14.40 in W)
Peso neto:	36.8 kgs (81.13 lbs)

## GARANTÍA LIMITADA

### **POWERSTATION, LLC GARANTIZA A SUS CLIENTES QUE LOS PRODUCTOS CON LA MARCA DE LA EMPRESA POWERSTATION, LLC NO TIENEN DEFECTOS DE FABRICACIÓN Y DE LOS MATERIALES.**

PowerStation, LLC va a reparar o reemplazar sus productos con la marca PowerStation, LLC que no proporcionen un servicio satisfactorio por una fabricación o materiales defectuosos, con base en los términos y condiciones de los siguientes planes de garantía descritos que se atribuyen a ese producto específico. Este producto tiene UN AÑO de garantía. Durante este periodo de garantía, PowerStation, LLC va a reparar o reemplazar a nuestra opción alguna pieza o unidad que se demuestre que los materiales o la fabricación estén defectuosos.

### **Otra información importante de la garantía:**

Esta garantía no cubre daños del equipo o de las herramientas que surjan por alteración, abuso, mal uso, daño y no cubre ninguna reparación o reemplazo que haya hecho alguien que no sea PowerStation, LLC. La obligación anterior es responsabilidad única de PowerStation, LLC según ésta o cualquier garantía implicada y bajo ninguna circunstancia será responsable de ningún incidente o daño consecuente.

**Nota:** Algunos estados no permiten la exclusión o limitación de daños incidentales o consecuentes, entonces, la limitación o exclusión anterior podría no corresponderle. Si tiene alguna pregunta sobre el servicio de garantía, por favor comuníquese con PowerStation, LLC. Esta garantía le da derechos legales específicos y usted también podría tener otros derechos que varían de estado a estado.

## 1-800-879-7316

Monday - Friday 8:30am to 5:30pm EST

P.O. Box 1203

Travelers Rest, South Carolina 29690

English Only / Parle Seulement Anglais / Hablar Solo Ingles

Distributed by:

Costco Wholesale Corporation

P.O. Box 34535

Seattle, WA 98124-1535

USA

1-800-774-2678

www.costco.com

Costco Wholesale Canada Ltd.\*

415 W. Hunt Club Road

Ottawa, Ontario

K2E 1C5, Canada

1-800-463-3783

www.costco.ca

\* faisant affaire au Québec sous le nom les Entrepôts Costco

Made in Vietnam / Fabriqué au Vietnam / Hecho en Vietnam