

SERVICE PARTS



PORTABLE HYDRAULICS

PRICE LIST No. A2
EFFECTIVE AUGUST 2, 1948

PRICES

—FOR MODELS—

No. 2915 ✓

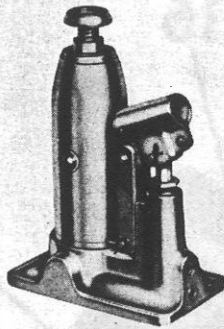
No. 2930 ✓

No. 2935 ✓

No. 2940 ✓

No. 2950 ✓

For Prices, See Numerical List On Last Page



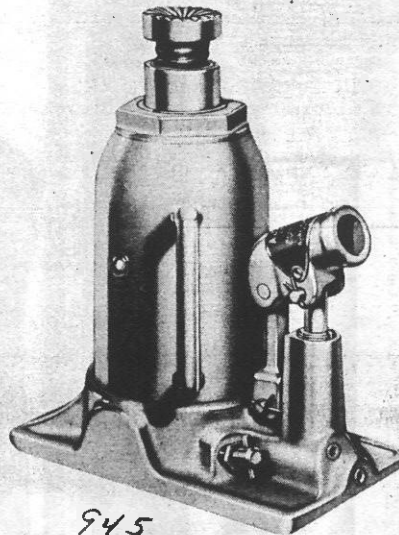
906

2915 — 1½-Ton Capacity



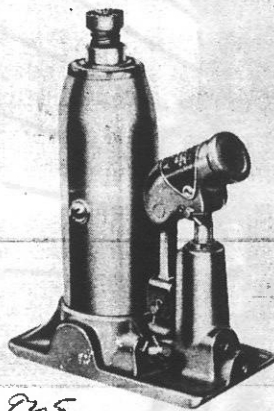
930

2935 — 5-Ton Capacity



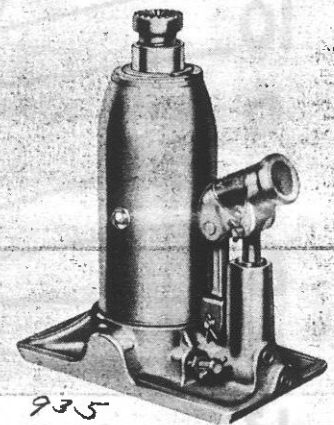
945

2950 — 12-Ton Capacity



925

2930 — 3-Ton Capacity



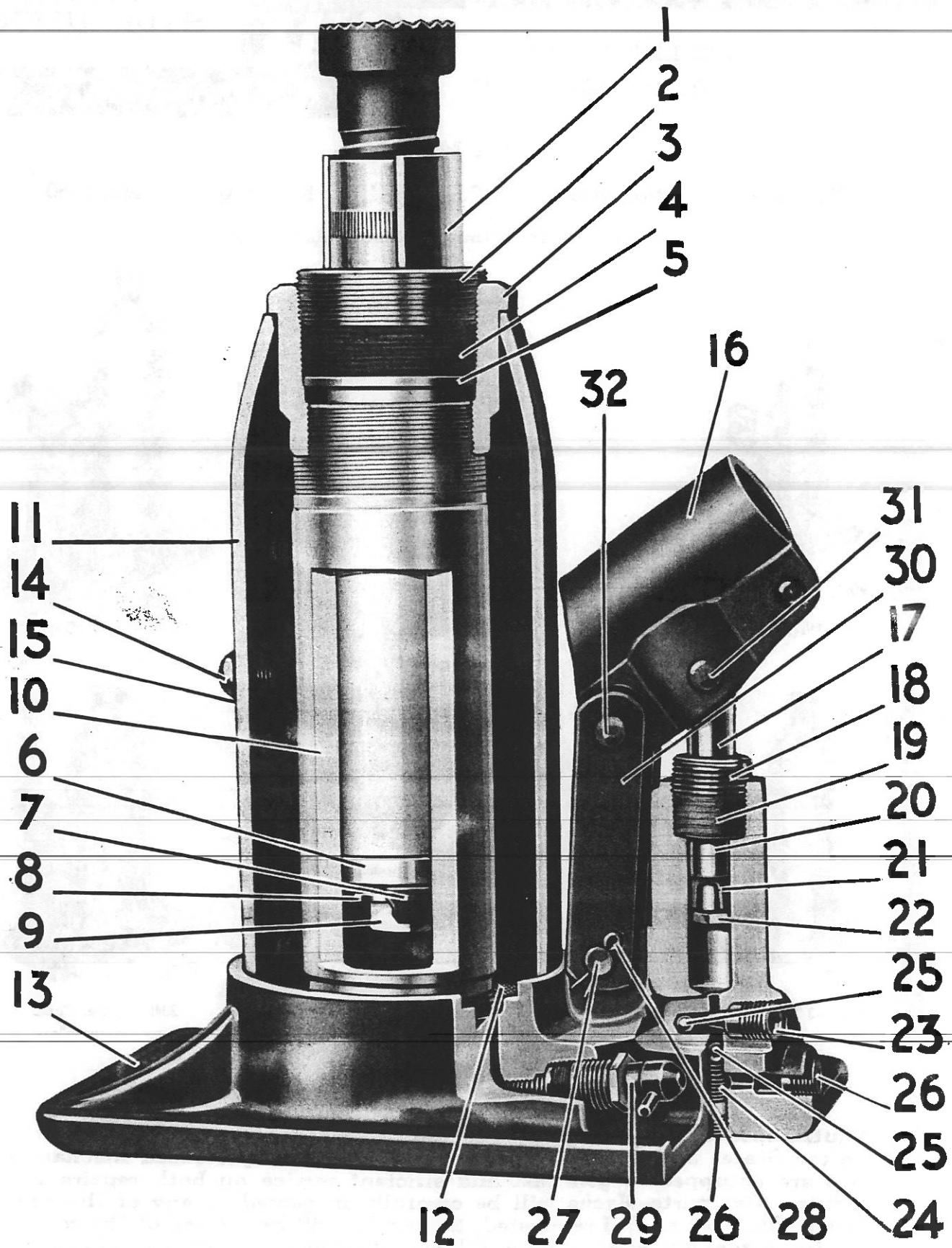
935

2940 — 8-Ton Capacity

PROMPT EFFICIENT JACK SERVICE

●Authorized Ajax Service Stations are located in principal cities in the United States and Canada. They are operated by experienced mechanics who are equipped to give fast and efficient service on both repairs and genuine Ajax parts. Jacks will be carefully inspected at any of the Ajax Service Stations and, if requested, the sender will be advised of the cost of repairs, before any work is done. All inspection work is done free of charge.

AJAX AUTO PARTS CO. RACINE, WISCONSIN, U.S.A.



Service Parts and Prices—Ajax Portable Hydraulics

Item		MODEL	MODEL	MODEL	MODEL	MODEL
No.	Name of Part	2915	2930	2935	2940	2950
1	Ram Assembly.	None	900833	900919	900832	900995
2	Ram Stuff. Box nut.	WH-5331	WH-5411	WH-5541	WH-5461	WH-4511
3	Tank Nut.	210265	WH-5421	WH-5581	WH-5501	WH-6091
4	Ram Packing (2)	202006	202011	202035	WH-5471	209837
5	Ram Stuff. Box Washer	204343	204354	204370	204374	WH-6471
6	Ram Brass Heel Plate.	WH-3841	WH-3851	WH-3861	WH-2241	WH-4451
7	Cup Leather for Ram	200490	200496	200501	200503	200509
8	Plain Washer--End of Ram.	204218	204272	204286	204286	. . .
9	Hex. Jam Nut--Ram	203265	203271	203287	203287	WH-4431
10	Cylinder--Ram	WH-5631	WH-3731	WH-3741	WH-3751	WH-6111
11	Oil Tank.	210266	WH-6071	WH-6161	WH-6131	901277
12	Screen.	None	210180	210180	210180	210180
13	Base.	WH-312	WH-443	WH-453	WH-463	WH-473
14	Filler Screw.	210151	201346	201346	201346	201346
15	Gasket--Filler Screw.	210399	200003	200003	200003	200003
16	Hdle. Socket & Link Assem	950200	900921	900921	900921	900921
17	Pump & Cup Leather Assem.	900943	900924	900924	900924	900924
18	Packing Nut--Pump Piston.	WH-2901	WH-6051	WH-6051	WH-6051	WH-6051
19	Packing--For Pump (2)	201994	201996	201996	201996	201996
20	Steel Washer--Pump Stuff. Box	204274	204281	204281	204281	204281
21	Cup Leather--Pump	200479	200480	200480	200480	200480
22	Nut--End of Pump Piston	None	203337	203337	203337	203337
23	Suction Valve Plug.	WH-3461	WH-3461	WH-3461	WH-3461	WH-3461
24	Spring--Discharge Valve	WH-6361	WH-6361	WH-6361	WH-6361	WH-6361
25	1/4" Balls (2).	203199	203199	203199	203199	203199
26	1/8" Rel. Pipe Plug (2)	210311	210311	210311	210311	210311
27	Link Pin.	201835	210628	210628	210628	210628
28	Cotter--Link Pin (2).	204425	204425	204425	204425	204425
29	Rel. Stem & Packing	950199	901473	901473	901473	901473
30	Pump Links (2).	WH-2971	WH-6031	WH-6031	WH-6031	WH-6031
31	Pump Pin.	210181	210628	210628	210628	210628
32	Link Rivet.	202604	WH-6451	WH-6451	WH-6451	WH-6451
	Instruction Decal	211982	211981	211981	211981	211983
	Handle--Grip End.	B-3572	900792	900792	900792	None
	Handle--Release End	B-3582	WH-432	WH-432	WH-432	None
	Handle Complete	10642	10609	10609	10609	10610