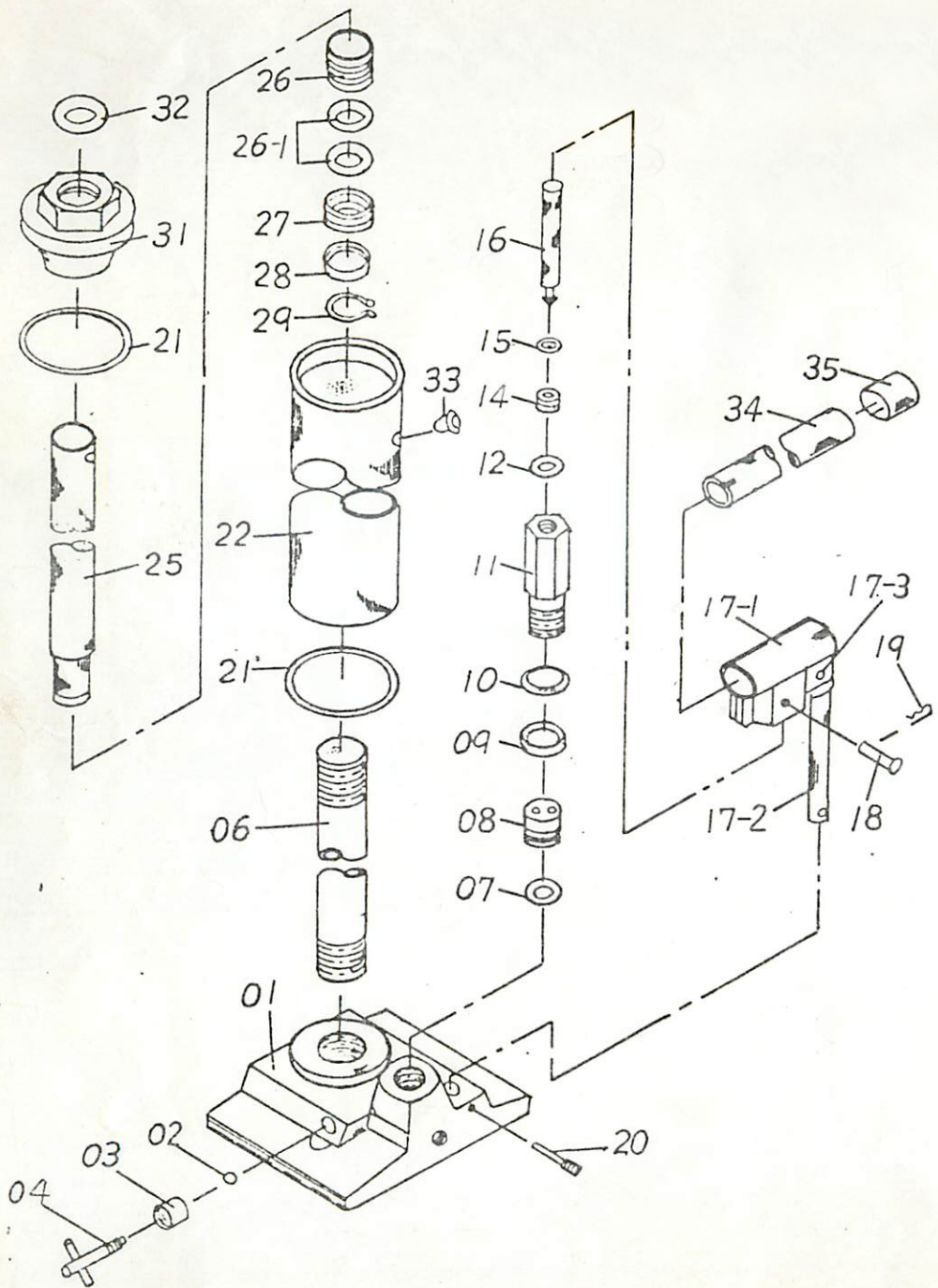


TAIWAN 3TON LONG RAM JACK



ITEM NO	DESCRIPTION	Q'TY	REMARKS
1	BASE	1	
2	BALL	1	1/2"
3	SEAL	1	
4	RELEASE VALVE	1	
6	CYLINDER	1	
7	WASHER	1	
8	CHECK VALVE KIT	1	
9	SEAL	1	
10	WASHER	1	
11	PUMP CYLINDER	1	
12	"O"-RING	1	
14	CUP SEAL	1	
15	BACK-UP RING	1	
16	PUMP PLUNGER	1	
17-1	HANDLE SLEEVE	1	
17-2	LINK	1	
17-3	RIVET	1	
18	PIN	1	
19	CLIP	1	
20	SCREW	1	
21	PACKING	2	
22	RESERVOIR	1	
25	RAM	1	
26	RETAINER	1	
26-1	"O"-RING	2	
27	CUP SEAL	1	
28	CAP WASHER	1	
29	SNAP-RING "C"	1	
31	TOP NUT	1	
32	"O"-RING	1	
33	FILLER PLUG	1	
34	HANDLE	1	
35	GRIP	1	