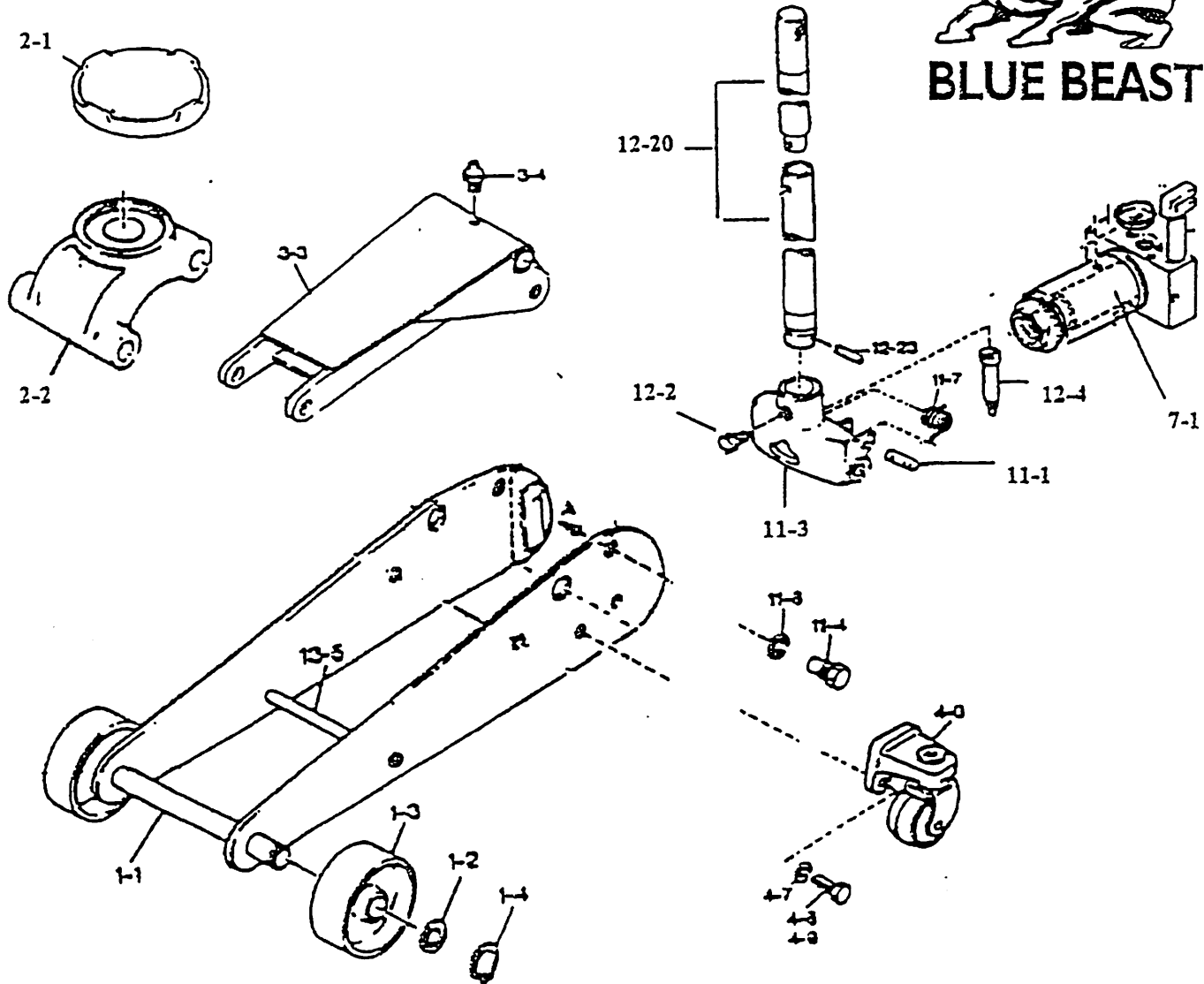
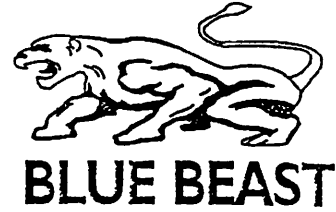




Hydraulic Floor Jack

Model 3500



Part No.	Description
BLB1-1	Front Axle
BLB1-2	Washer
BLB1-3	Flat Wheel
BLB1-4	Snap Ring
BLB2-1	Saddle
BLB2-2	Saddle Base
BLB3-3	Lift Arm
BLB3-4	Grease Fitting
BLB4-1	Caster Assembly
BLB4-7	Washer
BLB4-8	Bolt
BLB4-9	Bolt

Part No.	Description
BLB7-1	Hydraulic Unit
BLB9-1	Safety Valve Cap
BLB9-4	Valve
BLB11-1	Plunger Pin
BLB11-3	Handle Fork
BLB11-4	Handle Fork Bolt
BLB11-5	Snap Ring
BLB11-7	Handle Spring
BLB12-2	Handle Bolt
BLB12-4	Connecting Bar
BLB12-20	Handle Complete
BLB12-23	Spring Pin
BLB-RK	Repair Kit