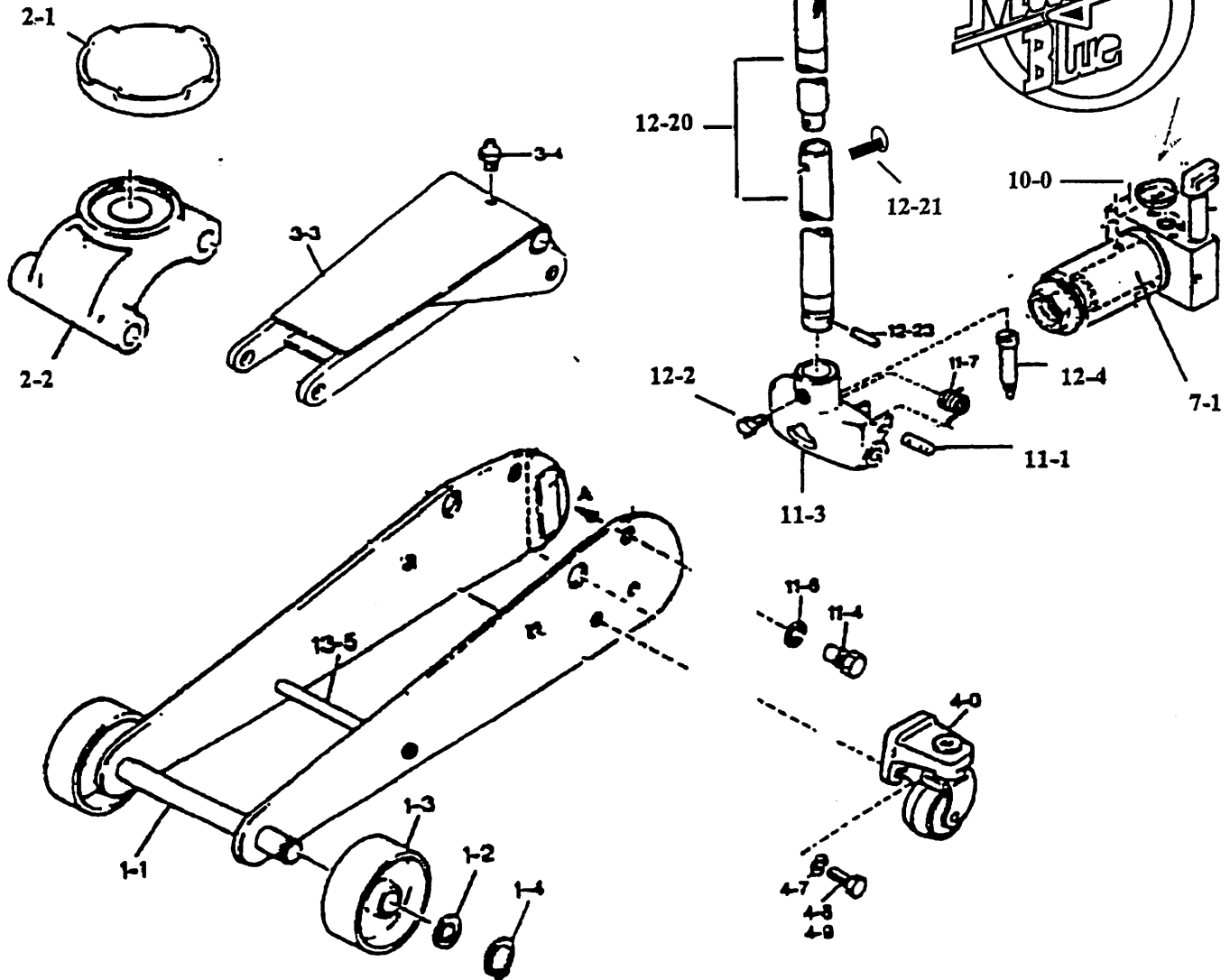
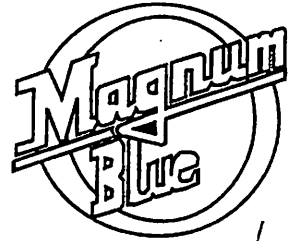




Hydraulic Floor Jack

Model 3000



Part No.	Description
MBL1-1	Front Axle
MBL1-2	Washer
MBL1-3	Flat Wheel
MBL1-4	Snap Ring
MBL2-1	Saddle
MBL2-2	Saddle Base
MBL3-3	Lift Arm
MBL3-4	Grease Fitting
MBL4-0	Caster Assembly
MBL4-7	Washer
MBL4-8	Bolt
MBL4-9	Bolt
MBL7-1	Hydraulic Unit
MBL11-1	Plunger Pin

Part No.	Description
MBL11-3	Handle Fork
MBL11-4	Handle Bolt
MBL11-5	Handle Bolt
MBL11-6	Snap Ring
MBL11-7	Handle Spring
MBL12-2	Handle Bolt
MBL12-4	Connecting Bar
MBL12-20	Handle Complete
MBL12-23	Spring Pin
MBLRK	Repair Kit
MBL10-0	Release Valve Assy.
MBL12-21	Handle Center Bolt
MBL8-1	Pump Piston