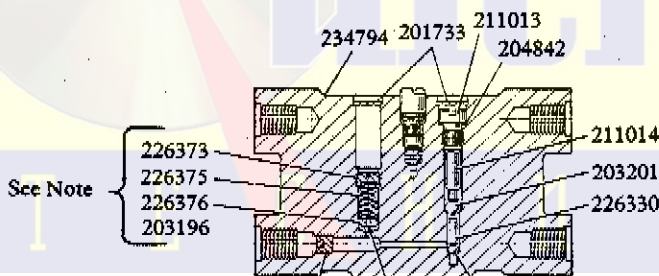
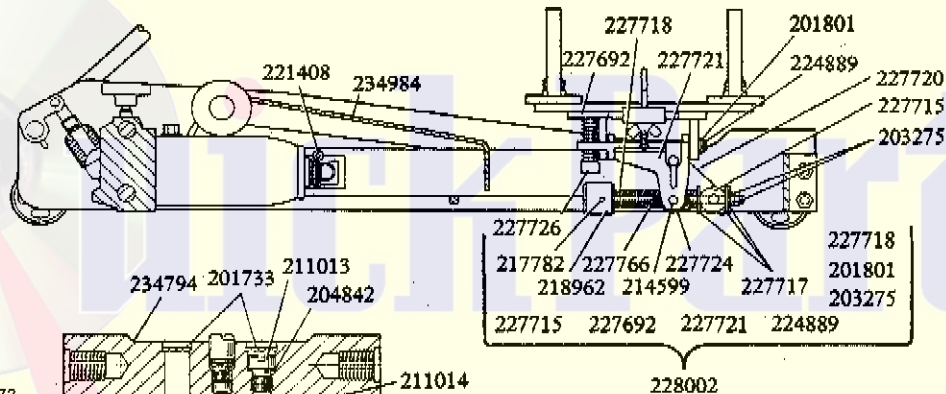
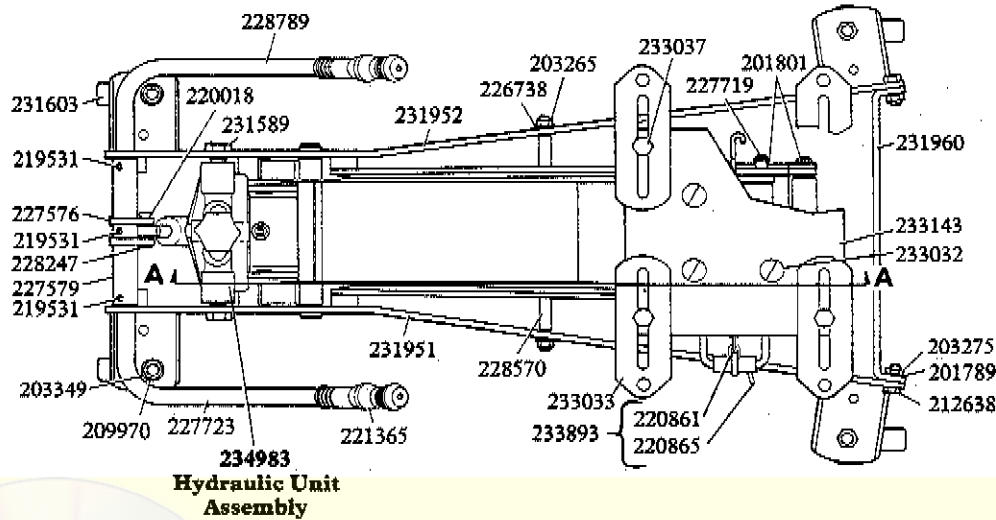


# HYDRAULIC TRANSMISSION JACK

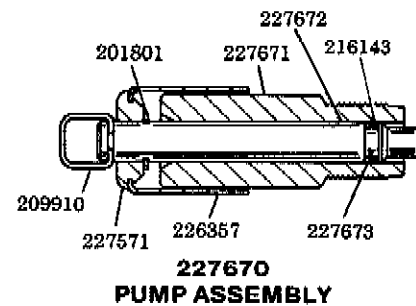
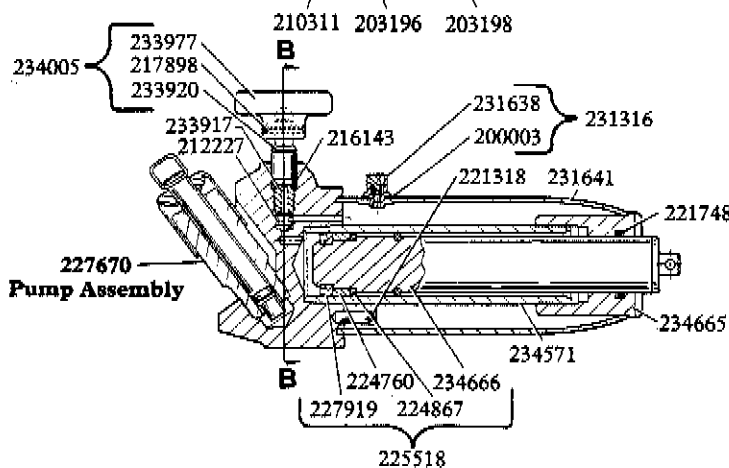
1/2 TON CAPACITY

# Models 91-716 93716, YA876

## Series "F"



Note: When replacing these parts safety valve must be reset. Turn adjusting screw clockwise until spring bottoms out then back out to set load range. Set to open at load of 700 -800 lbs. on lifting head with bellcrank horizontal.



MODEL	LABEL KIT NO.	REPAIR KIT NO.
91-716	240073	91-320
93716	240074	240521
YA876	240076	240521

**LINCOLN**  
A PENTAIR COMPANY

One Lincoln Way  
St. Louis, MO 63120-1578  
Customer Service, (314) 679-4300

SECTION - **W3**  
PAGE - **3F**

L-APR-87

Copyright 1987  
Printed in U.S.A.

FORM 10361F

## TROUBLESHOOTING

PROBLEM	SOLUTION
1) Oil leaking through filler plug.	The reservoir could be overfilled - The filler plug is designed with an automatic ventilator valve which allows excess air or oil to escape from the hydraulic system.
1) Jack will not lift load. 2) Jack will not lift full height. 3) Jack pump feels "spongy" under load.	The jack could be low on oil - Remove the filler plug and fill reservoir with clean HYDRAULIC JACK OIL  The jack could be air bound - To purge the air from the oil lines, open the release and pump rapidly a few strokes. Close release and pump to full height, then open the release to allow the jack to descend rapidly.
1) Jack handle raises under load. 2) Jack handle lowers under load. 3) Jack will not lift load. 4) Jack will not hold load	The valves might not be closing - Lower the lifting arm and close the release valve. Place one foot on a front wheel and raise the lifting arm to it's full height by hand. Open the release valve to lower the lifting arm. The jack should now operate properly.

If the above procedures do not correct the problem, contact your nearest Authorized Warranty and Service Center. When submitting any jack or equipment to be repaired, be sure to state the nature of the problem and indicate whether an estimate of the repair cost is needed.

**IMPORTANT:** As with any hydraulic unit, this unit may occasionally become "air bound" due to being tipped over during shipment. To purge the air from the oil lines, open the release and pump rapidly a few strokes. Close release and pump to full height, then open the release to allow the ram to descend rapidly. If the pump still seems "spongy", repeat the procedure.

### SPECIFICATIONS

Low Pickup Height	High Lifting Point	Lifting Head Size (Max.)	Caster Wheel Diameter	Max. Chassis Width	Chassis Length	Forward Tilt	Rearward Tilt	Sideways Tilt
9-1/2"	28-1/4"	15-1/2" Sq.	2-1/2"	20"	33"	60°	18°	12° R & L

### SERVICE PARTS

PART	QUAN.	DESCRIPTION	PART	QUAN.	DESCRIPTION	PART	QUAN.	DESCRIPTION
200003	1	Gasket	221408	1	Cotter pin	227766	2	Cotter pin
201733	2	Plug	*221748	1	Quad ring	227919	1	U-cup packing
201789	4	Lockwasher	*224760	1	Heel plate	228002	1	Cradle & tilt pad ass'y.
201801	7	Retaining ring	224867	1	Washer	228247	1	Pin
*203196	1	Ball	224889	1	Pin	228570	1	Pin
*203198	1	Ball	225518	1	Ram ass'y.	228789	1	Handle - L.H.
*203201	1	Ball	226330	1	Spacer	231316	1	Plug & gasket ass'y.
203265	2	Nut	226357	1	Pump sleeve	231589	4	Bolt
203275	6	Nut	226373	1	Screw	231603	4	Caster
203349	4	Nut	226375	1	Spring	231638	1	Filler plug & vent valve
*204842	1	Gasket	226376	1	Adapter	231641	1	Oil tank
209910	1	Pump clip	226738	2	Lockwasher	231951	1	Side plate ass'y. - R.H.
209970	4	Lockwasher	227571	1	Grommet	231952	1	Side plate ass'y. - L.H.
210311	1	Plug	227576	1	Handle socket	231960	1	Spacer
211013	1	Plug	227579	1	Tube	233032	4	Screw
211014	1	Spacer	227670	1	Pump ass'y.	233033	4	Swing arm ass'y.
212227	1	Poppet	227671	1	Cylinder	233037	4	Bolt
212638	4	Bolt	227672	1	Piston	233143	1	Top plate ass'y.
214599	2	Pin	227673	1	Washer	233893	1	Chain & terminal ass'y.
*216143	2	O-ring	227692	1	Tilt pad ass'y.	*233917	1	Spring
217782	1	Roll pin	227715	1	Tilt pin	233920	1	Release stem
217898	1	Roll pin	227717	3	Washer	233977	1	Hand knob
218962	1	Knob	227718	1	Tilt screw	234005	1	Release stem ass'y.
219531	3	Roll pin	227719	1	Pin	234571	1	Cylinder
220018	1	Retaining ring	227720	2	Link	234665	1	Tank nut
220861	1	Chain, eyebolt & hook	227721	1	Cradle	234666	1	Ram
220865	1	Wing nut	227723	1	Handle - R.H.	234794	1	Unit block
*221318	1	Screen	227724	1	Pivot nut	234983	1	Hydraulic unit ass'y.
221365	2	Handle grip	227726	2	Tilt screw	234984	1	Bell crank ass'y.

\*Included in 240521 & 91-320 Repair Kit.