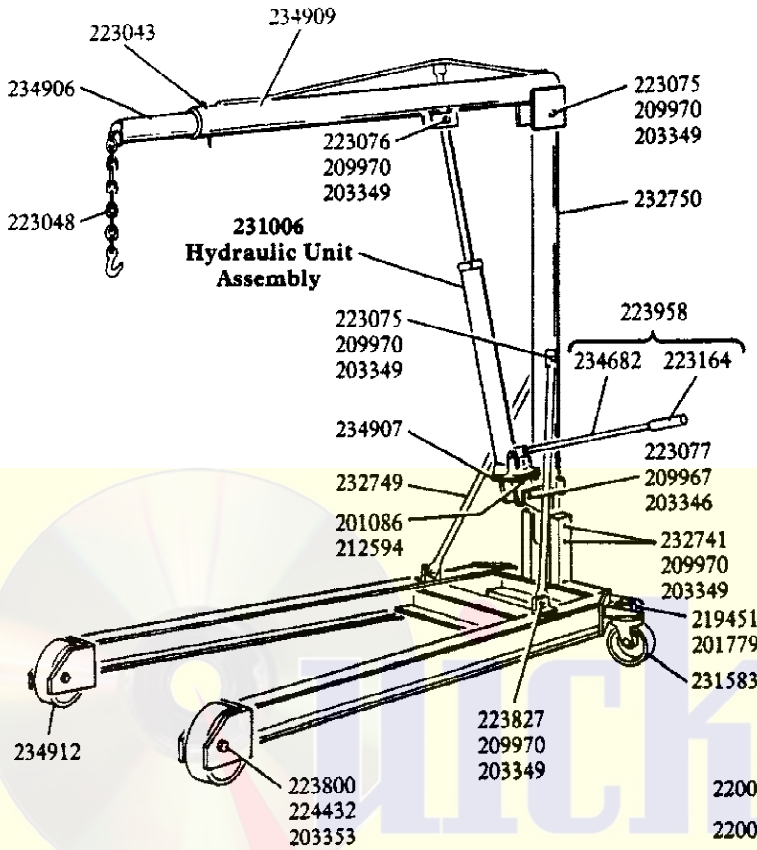


# KNOCK-DOWN CRANE

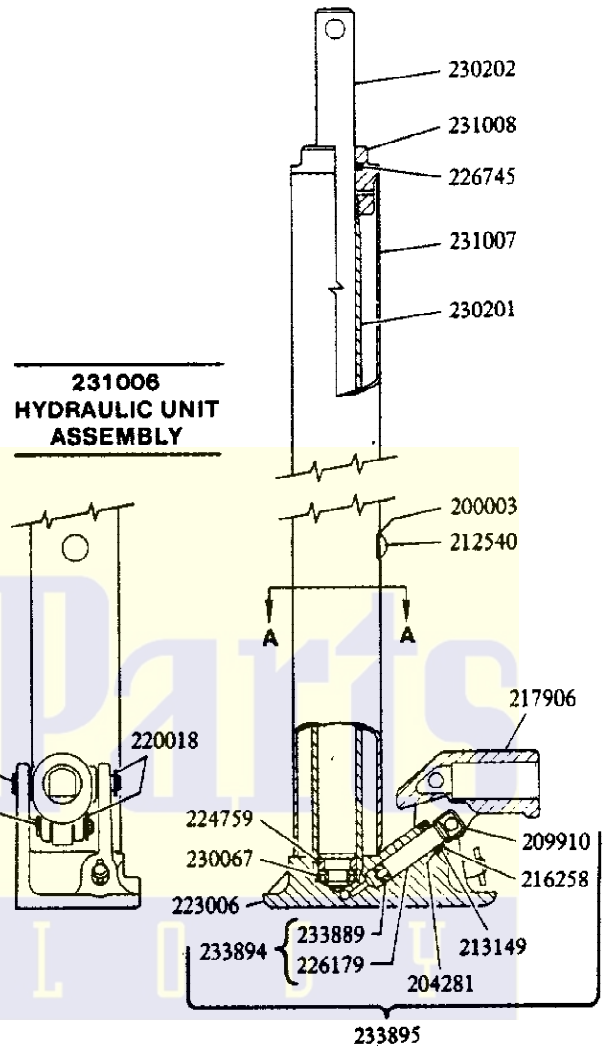
3/4 TON CAPACITY

# Model 91-800 93800, YA702A

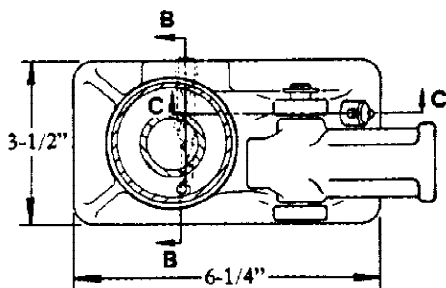
# Series "A"



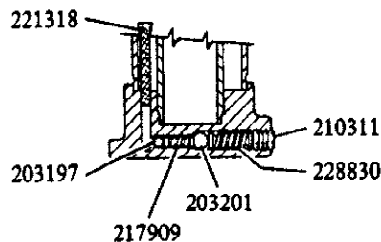
**231006  
HYDRAULIC UNIT  
ASSEMBLY**



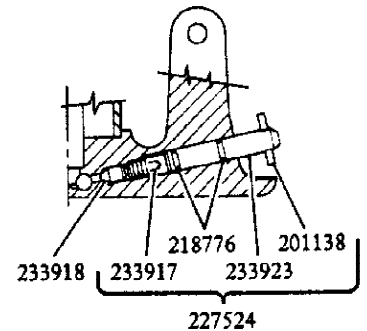
MODEL	LABEL KIT NO.	REPAIR KIT NO.
91-800	240245	91-397
93800	240246	240502
YA702A	240247	240502



**SECTION A-A**



**SECTION B-B**



**SECTION C-C**



A PENTAIR COMPANY

One Lincoln Way  
St. Louis, MO 63120-1578  
Customer Service, (314) 679-4300

**SECTION - W5**  
**PAGE - 7**

# TROUBLESHOOTING

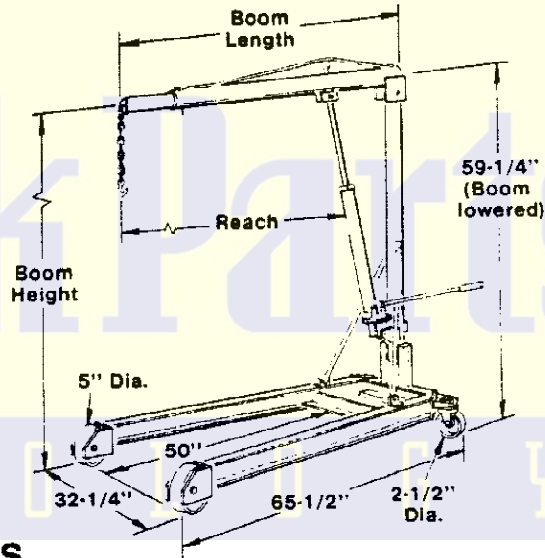
PROBLEM	SOLUTION
1) Will not lift load. 2) Will not lift full height. 3) Pump feels "Spongy" under load.	Hydraulic unit could be low on oil - With boom in lowered position, remove the filler plug from the hydraulic unit and fill with clean Hydraulic Jack Oil to level of fill hole. <b>DO NOT USE BRAKE OR SHOCK ABSORBER FLUIDS.</b>  Hydraulic unit could be "air bound" - Open the release valve one full turn and pump the handle about six full strokes to purge air from the pump and valving.
1) Will not lift load. 2) Handle raises under load. 3) Handle lowers under load. 4) Will not hold load.	Valve might not be closing - Make certain release valve is closed. Starting with boom in fully lowered position, <b>SLOWLY</b> raise the boom a few feet by hand. Open release valve and let the boom descend into lowered position. Crane should now operate properly.

If the above procedures do not correct the problem, contact your nearest Authorized Warranty and Service Center. When submitting any jack or equipment to be repaired, be sure to state the nature of the problem and indicate whether an estimate of the repair cost is needed.

**IMPORTANT:** As with any hydraulic unit, this unit may occasionally become "air bound" due to being tipped over during shipment. To purge the air from the oil lines, open the release and pump rapidly a few strokes. Close release and pump to full height, then open the release to allow the ram to descend rapidly. If the pump still seems "spongy", repeat the procedure.

## SPECIFICATIONS

Boom Position	Capacity (Lbs.)	Boom Height		Boom Length	Chain Size	Reach
		Max.	Min.			
#1	1500	92"	31-1/2"	45-1/8"	5/16"	27-1/4"
#2	1000	103"	23-3/4"	58-1/8"		40-1/4"
#3	600	111"	18"	68-1/8"		50-1/4"



## SERVICE PARTS

PART	QUAN.	DESCRIPTION	PART	QUAN.	DESCRIPTION	PART	QUAN.	DESCRIPTION
200003	1	Gasket	219451	2	Nut	*230067	1	U-cup packing
201086	4	Lockwasher	220018	2	Retaining ring	230201	1	Cylinder
201138	1	Cross pin	220019	1	Fulcrum pin	230202	1	Ram
201779	2	Lockwasher	220021	1	Pump pin	231006	1	Hydraulic unit ass'y.
*203197	1	Ball	*221318	1	Suction screen	231007	1	Oil tank
*203201	1	Ball	223006	1	Base	231008	1	Tank nut
203346	1	Nut	223043	1	Position pin	231583	2	Caster
203349	7	Nut	223048	1	Chain & hook ass'y.	232741	2	Bolt
203353	2	Nut	223075	2	Bolt	232749	2	Column brace
204281	1	Pump gland washer	223076	1	Bolt	232750	1	Column
209910	1	Pump clip	223077	1	Bolt	*233889	1	U-cup packing
209967	1	Lockwasher	223164	1	Handle grip	233894	1	Pump assembly
209970	7	Lockwasher	223800	2	Bolt	233895	1	Complete pump ass'y.
210311	1	Pipe plug	223827	2	Bolt	*233917	1	Plastic spring
212540	1	Filler screw	223958	1	Handle & grip ass'y.	233918	1	Release valve poppet
212594	4	Bolt	224432	2	Bushing	233923	1	Release stem
*213149	1	Packing ring	*224759	1	Heel plate	234682	1	Handle
216258	1	Pump gland cover	226179	1	Pump piston	234906	1	Inner boom
217906	1	Handle socket	*226745	1	Quad ring	234907	1	Hydraulic unit pivot
*217909	1	Spring	227524	1	Release stem & o-ring	234909	1	Main boom
*218776	2	O-ring	228830	1	Spring	234912	2	Front wheel

\*Included in 91-397 & 240502 Repair Kits.