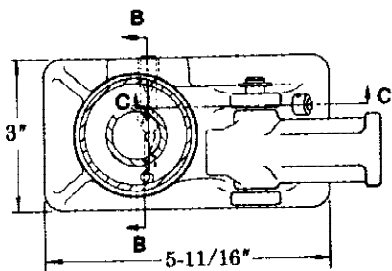


KNOCK-DOWN CRANES

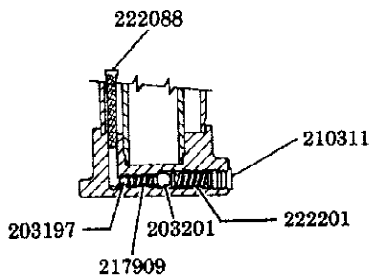
1/2 TON CAPACITY

Model 91-801, 93801 95801, YA-701

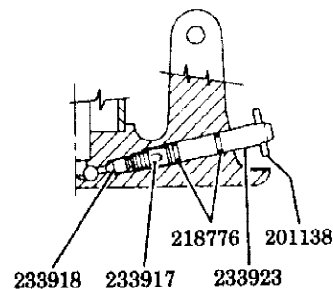
Series "B"



SECTION A-A

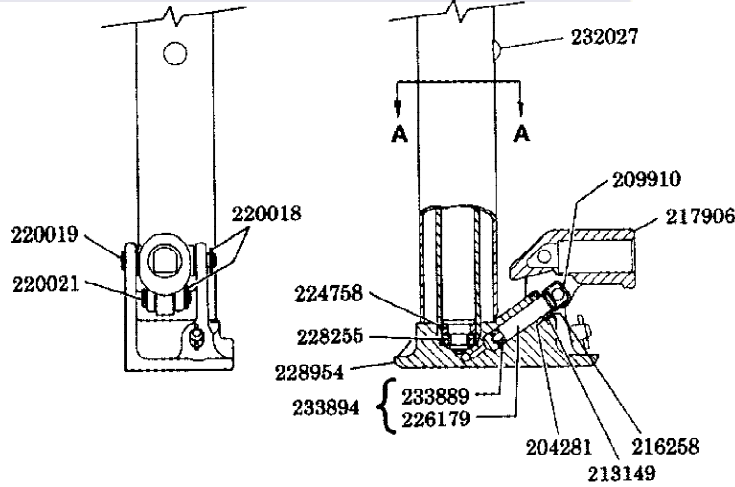
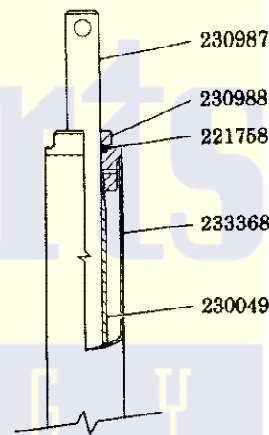
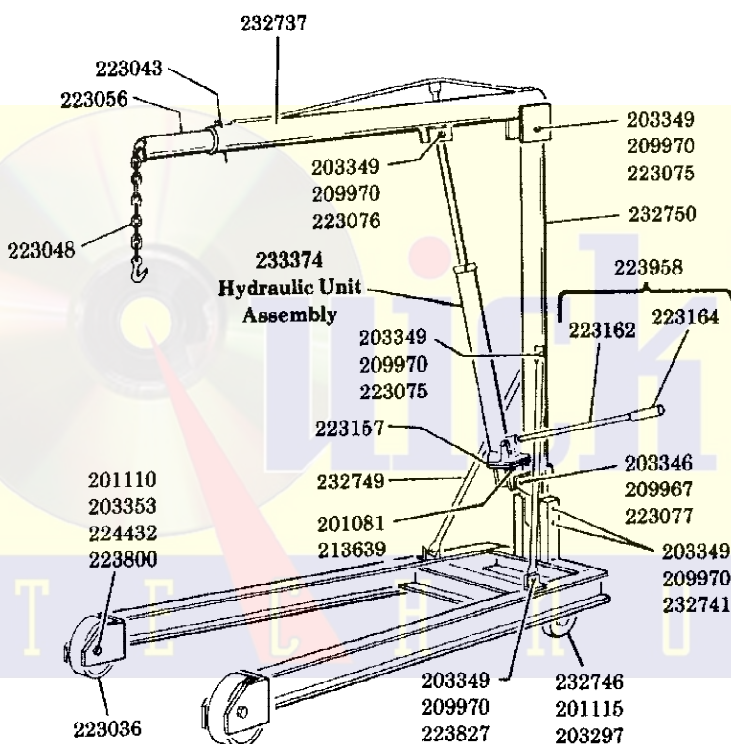


SECTION B-B



227524

SECTION C-C



MODEL	LABEL KIT NO.	REPAIR KIT NO.
91-801	240007	91-396
93801	240008	240501
95801	240009	240501
YA-701	240010	240501

LINCOLN
A PENTAIR COMPANY

One Lincoln Way
St. Louis, Missouri 63120-1578
Customer Service, (314) 679-4300

SECTION - W5
PAGE - 1

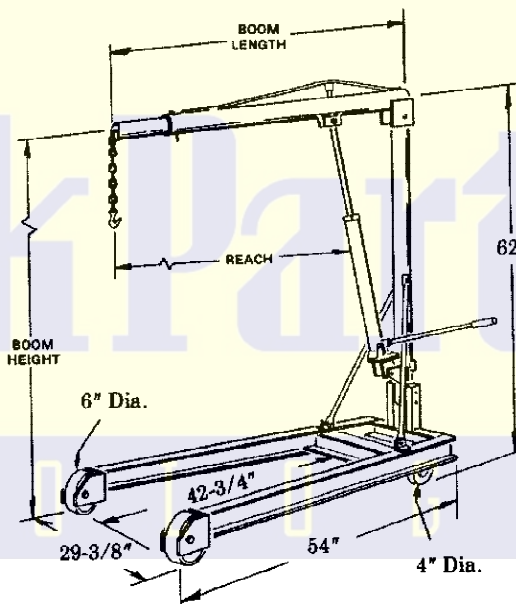
TROUBLE SHOOTING

PROBLEM	SOLUTION
1) Will not lift load	The Jack could be low on oil- Refer to Instruction Manual. See instruction #5 under Maintenance Instructions. The Jack could be air-bound- Open the release valve one full turn and pump the handle about six full strokes to purge air from the pump and valving.
2) Will not lift full height	
3) Pump feels "Spongy" under load	
1) Will not lift load 2) Handle raises under load 3) Handle lowers under load 4) Will not hold load	Valve might not be closing- Make certain release valve is closed. Starting with boom in fully lowered position, SLOWLY raise the boom a few feet by hand. Open release valve and let the boom descend into lowered position. Crane should now operate properly.

If the above procedures do not correct the problem, contact your nearest service depot. When submitting any jack or equipment to be repaired, be sure to state the nature of the problem and indicate whether an estimate of the repair cost is needed.

IMPORTANT: As with any hydraulic unit, this unit may occasionally become "air-bound" due to being tipped over during shipment. To purge the air from the oil lines, open the release and pump rapidly a few strokes. Close release and pump to full height, then open the release to allow the ram to descend rapidly. If the pump still seems "spongy", repeat the procedure.

BOOM POSITION	CAPACITY (lbs.)	BOOM HEIGHT		BOOM LENGTH	REACH	CHAIN SIZE
		MAX.	MIN.			
#1	1,000	92"	26"	41-3/4"	35-1/2"	5/16"
#2	600	95-3/4"	22-1/2"	46-1/4"	40"	5/16"
#3	300	104-3/4"	14"	57-1/4"	51"	5/16"
#4	200	112"	7"	66-1/4"	59-3/4"	5/16"



SERVICE PARTS

PART	QUAN.	DESCRIPTION	PART	QUAN.	DESCRIPTION	PART	QUAN.	DESCRIPTION
201081	4	Lockwasher	220018	2	Retaining ring	226179	1	Piston
201110	2	Lockwasher	220019	1	Pin	227524	1	Release assembly
201115	2	Lockwasher	220021	1	Pin	228255	1	U-cup
201138	1	Pin	221758	1	Quad ring	228954	1	Base
203197	1	Ball, 3/16" Dia.	222088	1	Screen	230049	1	Cylinder
203201	1	Ball, 5/16" Dia.	222201	1	Spring	230987	1	Ram
203297	2	Nut	223036	2	Wheel (front)	230988	1	Nut
203346	1	Nut	223043	1	Position pin	232027	1	Plug
203349	7	Nut	223048	1	Lifting chain & hook	232737	1	Main boom
203353	2	Nut	223056	1	Inner boom	232741	2	Bolt
204281	1	Washer	223075	2	Bolt	232746	2	Caster (rear)
209910	1	Clip	223076	1	Bolt	232749	2	Brace
209967	1	Lockwasher	223077	1	Bolt	232750	1	Column
209970	7	Lockwasher	223157	1	Pivot plate	233368	1	Oil tank
210311	1	Plug	223162	1	Handle	233374	1	Hydraulic unit assembly
213149	1	Packing ring	223164	1	Grip	233889	1	U-cup
213639	4	Bolt	223800	2	Bolt	233894	1	Pump assembly
216258	1	Cover	223827	1	Bolt	233917	1	Spring
217906	1	Handle socket	223968	1	Handle & grip ass'y	233918	1	Release valve poppet
217909	1	Spring	224432	2	Bushing	233923	1	Release stem
218776	2	O-ring	224758	1	Heel plate			