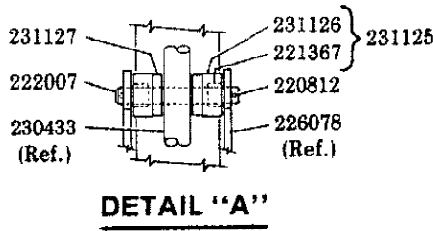
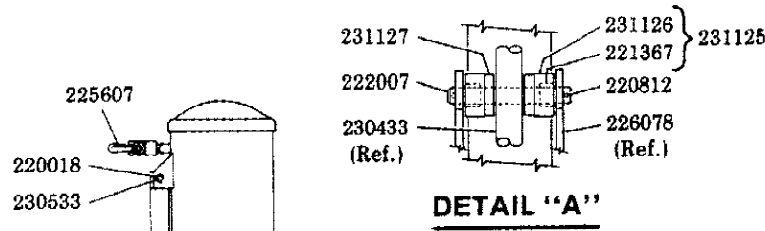


AIR OPERATED END LIFT

1-1/2 TON CAPACITY

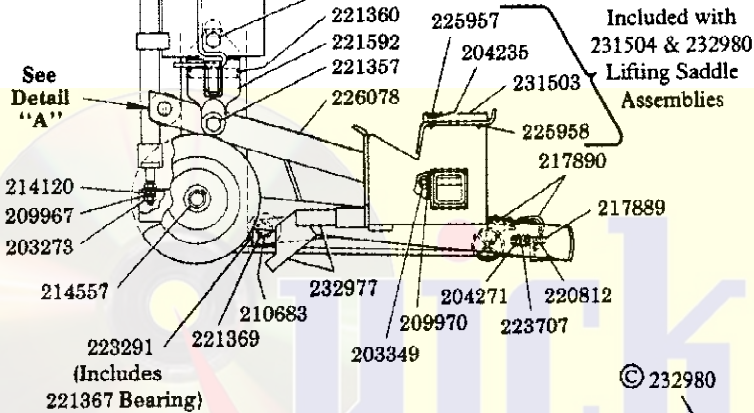
Models 91-689 93689, YA689

Series "B"



MODEL	*LABEL KIT NO.	REPAIR KIT FOR 230433 HYD. DAMPER
91-689	240085	240512
93689	240086	240512
YA689	240088	240512

***IMPORTANT:** Replace label on hydraulic damper as well as all other labels.



© Indicates Change

SPECIFICATIONS

Low Pickup Height	High Lifting Point	Power Raise	Saddle Spread	Clearance (Air Tank to Front of Saddle)	Min. psi for rated Load
10"	37-1/2"	27-1/2"	20-1/2" - 63-5/8"	14"	135

**230433 HYDRAULIC
DAMPER ASSEMBLY**



A PENTAIR COMPANY

One Lincoln Way
St. Louis, Missouri 63120-1578
Customer Service, (314) 679-4300

SECTION - **W4**
PAGE - **1D**

TROUBLESHOOTING

PROBLEM	SOLUTION
1) Will not lift load.	<p>Air pressure might be too low — 135 psi minimum air pressure required to lift rated load.</p> <p>Air hose might be plugged — Remove obstruction from air hose.</p> <p>Air hose I.D. might be too small — Use larger air hose.</p>
2) Will not lower.	<p>Air valve might be incorrectly assembled to jack -- Assemble as shown in Figure 1.</p> <p>The safety dog might be engaged — Admit air until the jack raises slightly, then disengage safety dog.</p>
3) Jack is very bouncy.	<p>Cylinder might need lubrication -- Apply #630-AAA LUBRIPLATE to cylinder wall.</p>

If the above procedures do not correct the problem, contact your nearest Authorized Warranty and Service Center. When submitting any jack or equipment to be repaired, be sure to state the nature of the problem and indicate whether an estimate of the repair cost is needed.

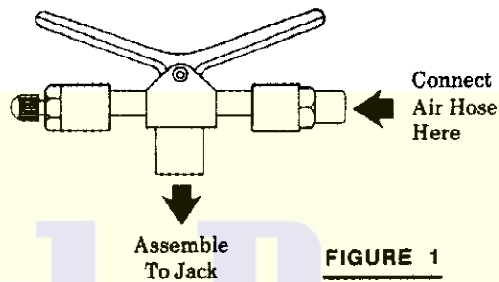


FIGURE 1

SERVICE PARTS

PART	QUAN.	DESCRIPTION	PART	QUAN.	DESCRIPTION	PART	QUAN.	DESCRIPTION
201777	4	Lockwasher	221360	1	Pin	226086	2	Bolt
203202	1	Ball	221365	2	Handle bar grip	226620	1	Safety dog
203273	2	Nut	221367	4	Needle bearing	227052	1	Washer
203349	2	Nut	221369	1	Roller axle	230433	1	Hydraulic damper ass'y.
204235	8	Washer	221488	2	Bolt	230435	1	Cylinder plug
204271	2	Washer	221592	1	Tension link (R.H.)	230436	1	Cylinder
209967	1	Lockwasher	221623	2	Wheel	230438	1	Bottom cap
209970	2	Lockwasher	221624	1	Axle	230440	1	Piston rod
210683	2	Retaining ring	221625	2	Spacer	230441	1	Piston
*212374	2	Washer	221850	1	Safety dog handle	230533	1	Pin
212540	1	Filler screw	222007	1	Axle	231119	1	Air cylinder
212562	1	Air vent screw	222230	2	Groove pin	231125	2	Roller bearing ass'y.
214120	1	Spacer	222822	1	Pin	231126	2	Roller
*214555	2	O-ring	223238	1	Piston	231127	2	Disc
214557	2	Retaining ring	223239	1	U-cup packing	*231241	1	Quad ring
*216258	1	Pump gland cover	223291	2	Roller & bearing ass'y.	231334	2	Lifting beam
217889	2	Pin	223707	2	Spring	231503	2	Lifting pad
217890	1	Caster	224592	1	Tension link (L.H.)	231504	1	Lifting saddle ass'y. (L.H.)
220018	1	Retaining ring	225607	1	Air valve	232977	2	Rod & finger ass'y.
220812	3	Roll pin	225957	8	Screw	232980	1	Lifting saddle ass'y. (R.H.)
221349	1	Spring	225958	8	Retaining nut			
221357	2	Bolt	226078	1	Lifting frame			

*Included in 240512 Repair Kit for 230433 Hydraulic Damper Assembly.

RETAIN THIS INFORMATION FOR FUTURE REFERENCE

When ordering replacement parts, list: Part Number, Description, Model Number, and Series Letter.

LINCOLN provides a Distributor Network that stocks equipment and replacement parts.
A list of Authorized Service Departments will be furnished upon request.