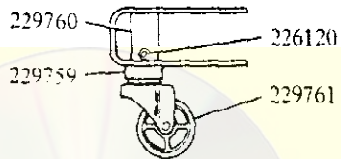
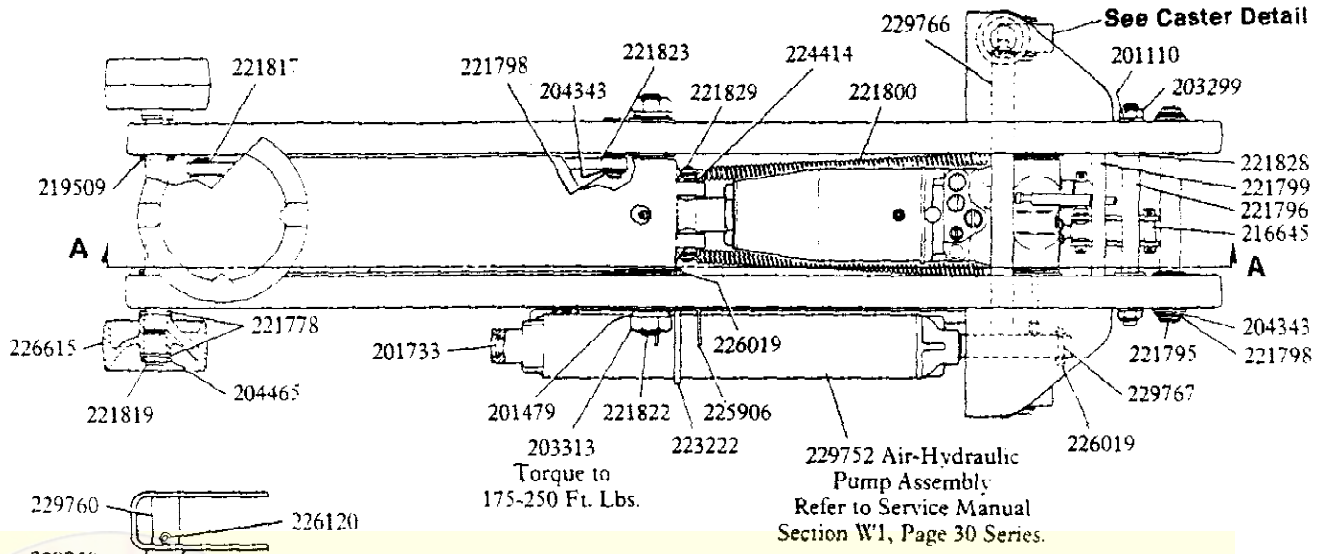
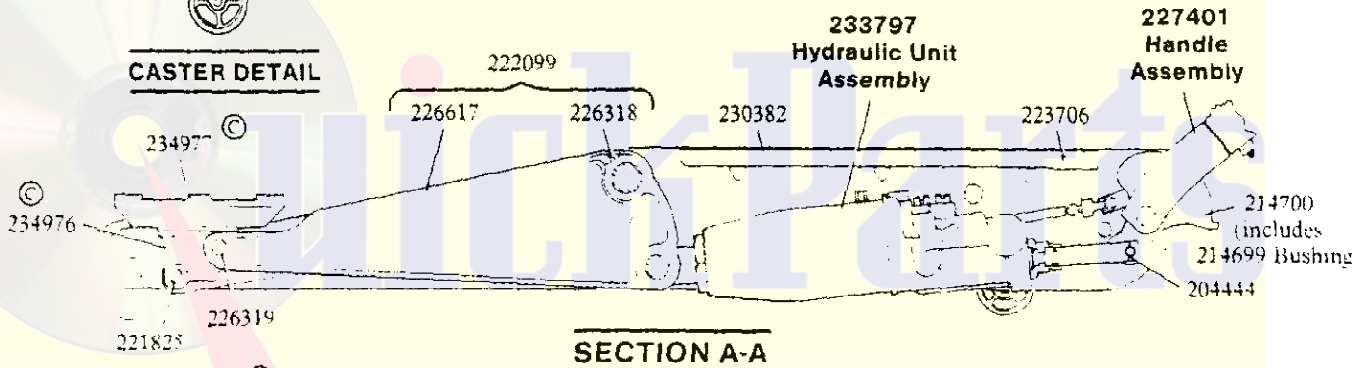


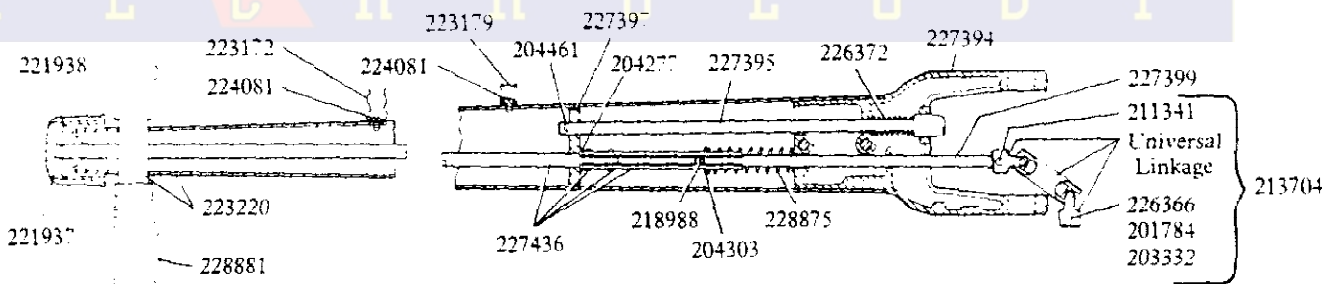
**4 TON CAPACITY**



**CASTER DETAIL**



**SECTION A-A**



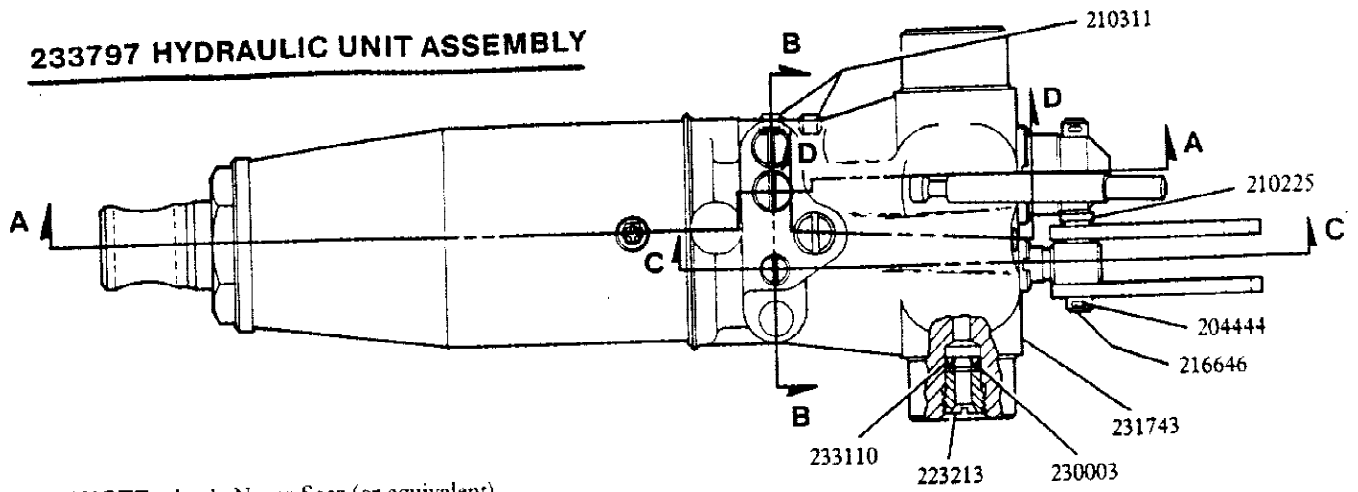
Model	Label Kit No.	Repair Kit No.
91-667	240184	91-421
93667	240185	240562
YA-667	240223	240562

## SERVICE PARTS

Part	Qty.	Description	Part	Qty.	Description
200003	1	Gasket	*222201	2	Spring
200472	2	Bolt	222257	3	Plug
201110	2	Lockwasher	*222533	2	Screen
201479	2	Lockwasher	*223166	1	Screen
201733	2	Expansion plug	223172	1	Hose clip
201784	1	Lockwasher	223179	2	Hose clip
*203198	1	Ball	223213	1	Gland nut
*203199	1	Ball	223220	1	Handle & cross bar
*203200	2	Ball	223222	1	Hanger
*203201	1	Ball	223706	2	Screw
*203205	2	Ball	224081	3	Screw
203299	2	Nut	224344	1	Ball stop plug
203313	2	Nut	224414	1	Retaining ring
203332	1	Nut	225906	1	Bracket
203344	2	Nut	226019	4	Locknut
204270	2	Washer	226120	2	Set screw
204277	1	Washer	226314	1	Gland nut
204301	1	Washer	226318	1	Grease fitting
204303	1	Washer	226319	1	Pin
204343	4	Washer	226324	1	Pressure plug
204372	1	Washer	226325	2	Pump link
204444	4	Cotter pin	226326	1	Gland nut
204461	1	Cotter pin	226327	1	Slotted tube
204465	2	Cotter pin	226329	1	Pin
*204842	1	Copper gasket	*226331	1	Spring
209964	2	Lockwasher	*226353	1	Spring
210225	1	Spacer	226366	1	Bolt
210311	4	Pipe plug	226372	1	Spring
*210411	1	Washer	226615	2	Front wheel
211341	1	Rivet	226617	1	Bell crank
212227	1	Release valve	227394	1	Handle socket
*213152	2	Packing ring	227395	1	Plunger ass'y.
*213171	2	Packing ring	227397	1	Link
213704	1	Universal linkage ass'y.	227399	1	Extension rod
*214555	1	O-ring	227436	1	Turning rod ass'y.
214699	1	Bushing	227401	1	Handle ass'y.
214700	1	Handle segment & bushing	*228257	1	U-cup packing
216645	1	Pin	228875	1	Spring
216646	1	Pump pin	228881	2	Handle grip
218988	1	Roll pin	*229748	3	Heel plate
219509	2	Roll pin	229749	1	Washer
220769	1	Cross pin	229750	1	Ram
221739	1	Poppet	229751	1	Pin
221740	1	Ball stop plug	229752	1	Air-hydraulic pump ass'y.
221742	1	Ball stop plug	229759	2	Caster spacer
*221764	1	Quad ring	229760	2	Caster sleeve
221766	1	Ram cylinder	229761	2	Caster
221770	1	Speed pump	229766	1	Compression bar
*221771	1	Back-up washer	229767	1	Hanger
*221772	1	Quad ring	230003	1	Back-up washer
221778	4	Washer	230382	1	Jack cover
221795	1	Fulcrum pin	230583	1	Ram assembly
221796	1	Bumper pin	230753	1	Suction tube
221798	4	Retaining ring	231316	1	Filler plug & gasket ass'y.
221799	1	Bearing	231638	1	Filler plug & vent valve
221800	2	Spring	231710	1	Oil tank
221817	2	Retaining ring	231743	1	Hydraulic unit base
221819	1	Front axle	*232968	1	Back-up washer
221822	1	Fulcrum pin	*232969	1	U-cup packing
221823	2	Parallel link	232970	1	Pressure pump
221825	1	Pin	232971	1	Pressure pump & packing
221828	2	Washer	233110	1	U-cup packing
221829	1	Pin	233797	1	Hydraulic unit ass'y.
221937	1	Release knob	233798	1	Tank nut
221938	1	Roll pin	233880	1	Tank nut & quad ring
*222088	1	Screen	*233917	1	Plastic spring
222095	1	Release stem ass'y.	233921	1	Release stem
222098	1	Speed pump ass'y.	234976	1	Cap housing
222099	1	Bell crank & fitting	234977	1	Lifting cap

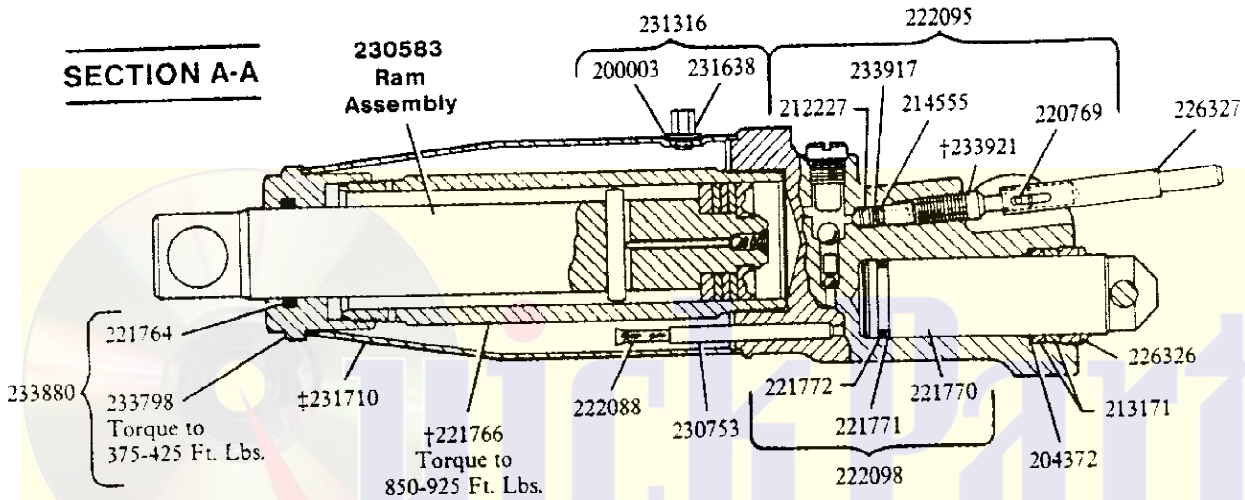
\*Included in 91-421 & 240562 Repair Kits.

# 233797 HYDRAULIC UNIT ASSEMBLY



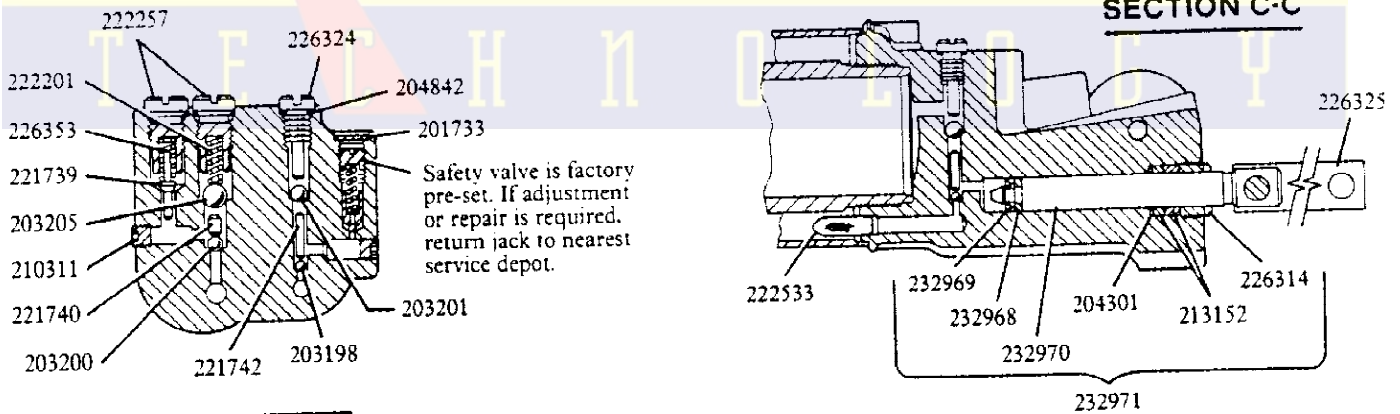
†NOTE: Apply Never-Seez (or equivalent) to threads before tightening.

## SECTION A-A

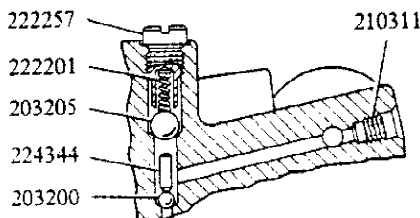


‡NOTE: Apply Never-Seez (or equivalent) to both ends and inside diameter of small end of tank before assembling.

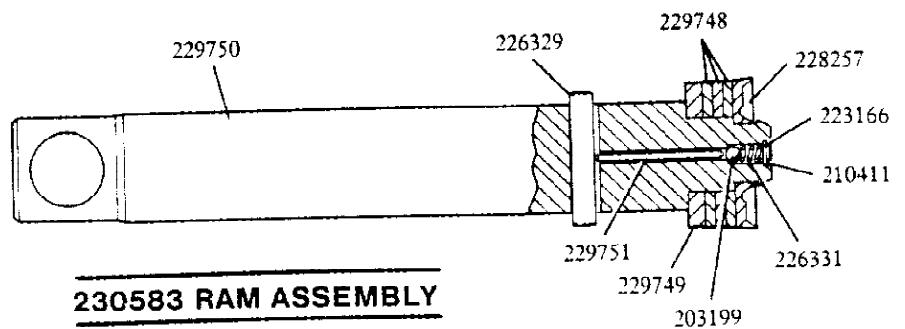
## SECTION C-C



## SECTION B-B



## SECTION D-D



## 230583 RAM ASSEMBLY