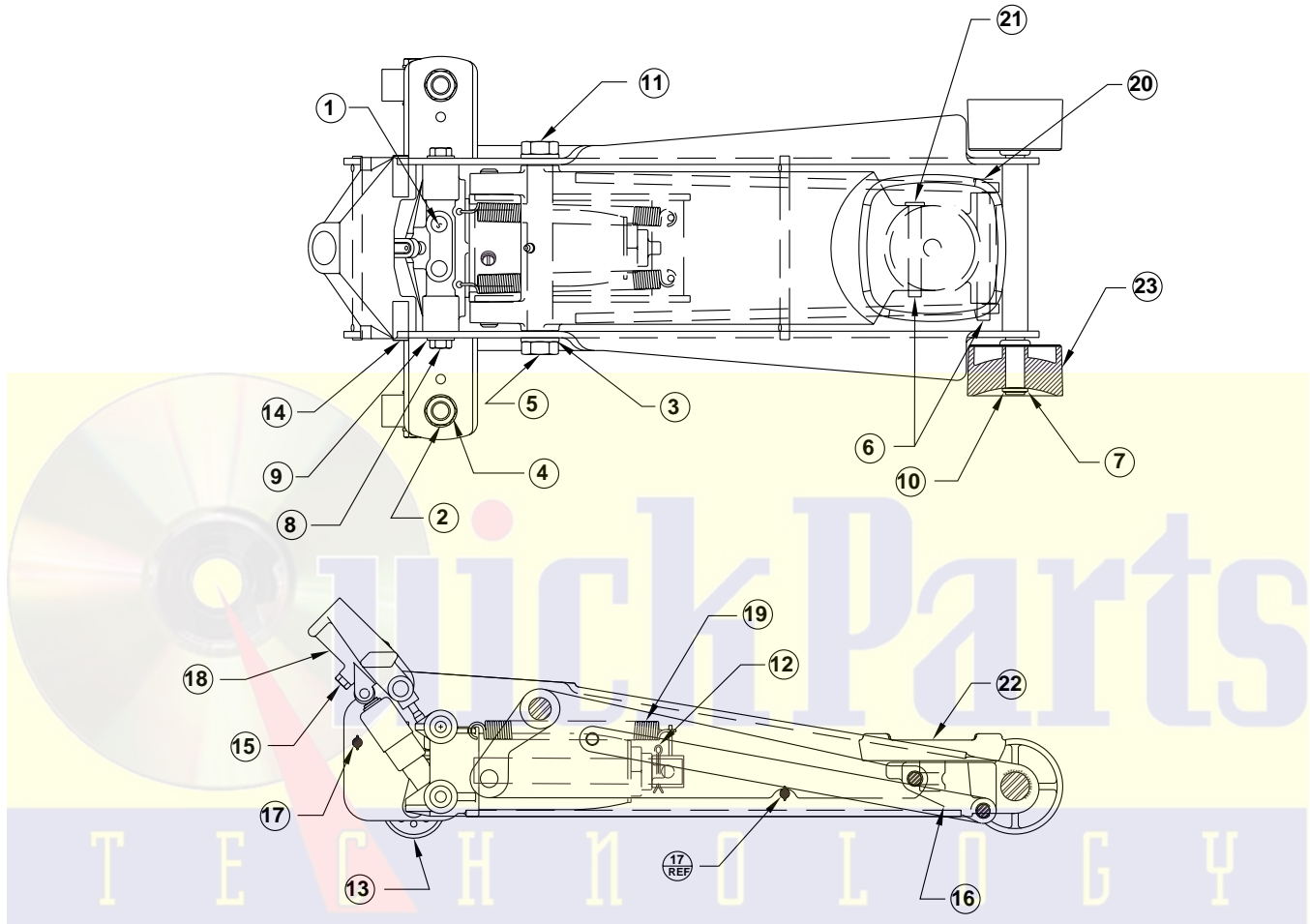
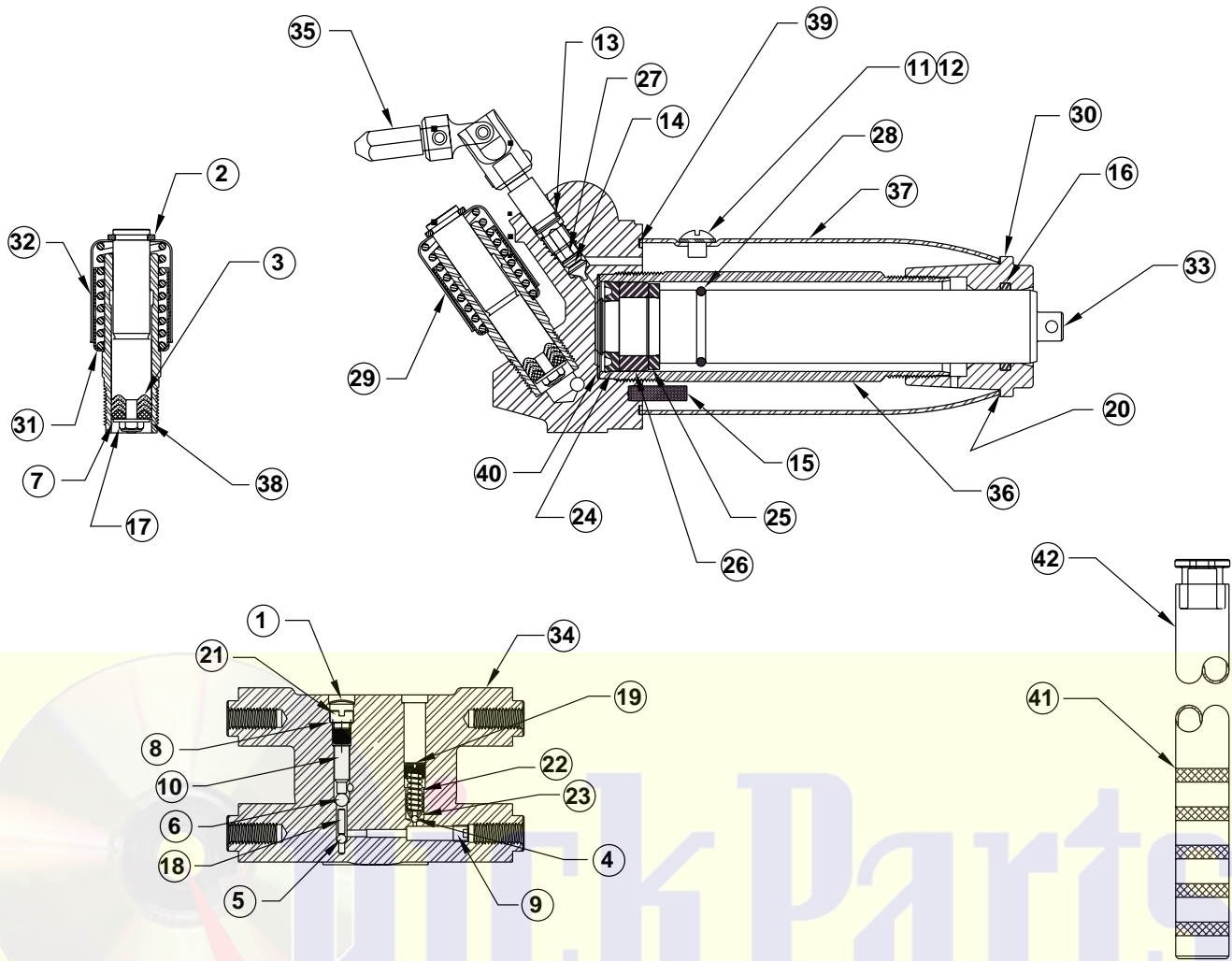


SERVICE PARTS SHEET



ITEM #	PART #	QTY.	DESCRIPTION
1.	201733	2	PLUG, 5/8 EXPANSION
2.	201115	2	WASHER, 3/4 LOCK
3.	201478	2	WASHER, 7/8 LOCK
4.	219451	2	NUT, 3/4 HEX
5.	203311	2	NUT, 7/8 JAM
6.	201801	2	CLIPS, RETAINER
7.	214557	2	E-CLIP
8.	212673	4	1/2-13 HEX HD.
9.	234668	4	WASHER, 1/2" FLAT
10.	204324	2	WASHER, FLAT
11.	210700	1	PIN, FULCRUM

ITEM #	PART #	QTY.	DESCRIPTION
12.	221408	1	PIN, COTTER
13.	231583	2	CASTER, SWIVEL
14.	234663	2	PIN, PIVOT
15.	234956	1	BOLT, 3/8-24 HEX HD.
16.	239306	1	HOUSING, LIFT CAP
17.	239314	2	BAR, SHIELD
18.	239342	1	SOCKET, HANDLE
19.	243618	2	SPRING, RETURN
20.	243838	1	PIN
21.	243839	1	PIN
22.	239304	1	CAP, LIFT
23.	234678	2	WHEEL, FRONT



PART #	PART #	QTY.	DESCRIPTION	
	1.	201733	2	PLUG, 5/8 EXPANSION
*	2.	201802	1	RING, RETAINING
*	3.	201828	3	V-PACKING
*	4.	203196	1	BALL, 5/32
*	5.	203198	1	BALL, 7/32
*	6.	203201	1	BALL, 5/16
*	7.	204233	1	WASHER
*	8.	204842	1	GASKET, PRESSURE PLUG
	9.	210311	1	PLUG, PIPE
	10.	211014	1	SPACER, DISCHARGE
	11.	212540	1	PLUG, SCREW
	12.	200003	1	WASHER, SCREW PLUG
*	13.	216143	1	O-RING
*	14.	218043	1	VALVE
*	15.	221318	1	SCREEN, SUCTION
*	16.	221748	1	RING, QUAD
	17.	224725	1	NUT
	18.	226330	1	SPACER, SUCTION
	19.	226373	1	NUT, ADJUSTING
*	20.	260444	1	GASKET, TANK NUT
	21.	211013	1	PLUG, PRESSURE

ITEM #	PART #	QTY.	DESCRIPTION	
	22.	226375	1	SPRING, SAFETY VALVE
	23.	226376	1	ADAPTER
*	24.	228256	1	U-CUP
	25.	230300	1	WASHER, BACK-UP
*	26.	230301	1	PLATE, HEEL
*	27.	233917	1	SPRING
	28.	234662	1	RING, RETAINING
	29.	234948	1	ASSEMBLY, PUMP
	30.	261476	1	NUT, TANK
	31.	226357	1	COVER, LOWER
	32.	243628	1	COVER, UPPER
	33.	248723	1	RAM
	34.	248726	1	BASE, MACHINED
	35.	228356	1	ASSEMBLY, UNIVERSAL
	36.	248925	1	CYLINDER
	37.	248926	1	TANK, OIL
*	38.	226351	1	WASHER, RUBBER
*	39.	260445	1	GASKET, RESERVOIR
*	40.	260446	1	GASKET, CYLINDER
	41.	261465	1	HANDLE, UPPER
	42.	261466	1	HANDLE, LOWER

* INCLUDED IN REPAIR KIT #248949