

PORTABLE HYDRAULIC JACK

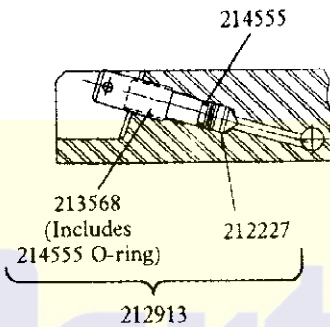
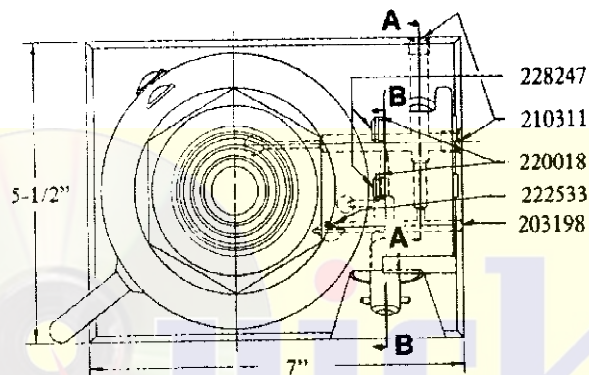
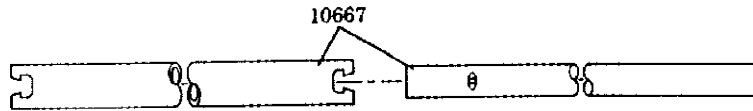
20 TON CAPACITY

Models 91-233
93233, YA-233
Series "R"

SPECIFICATIONS:

Height (Closed): 10-3/4"
Max. Height: 18-1/2"
Power Raise: 7-3/4"

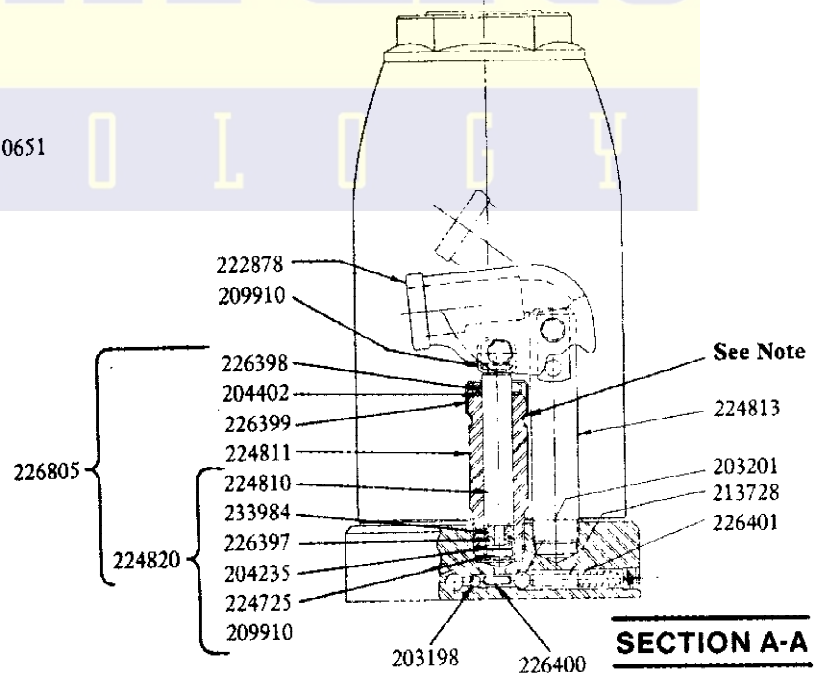
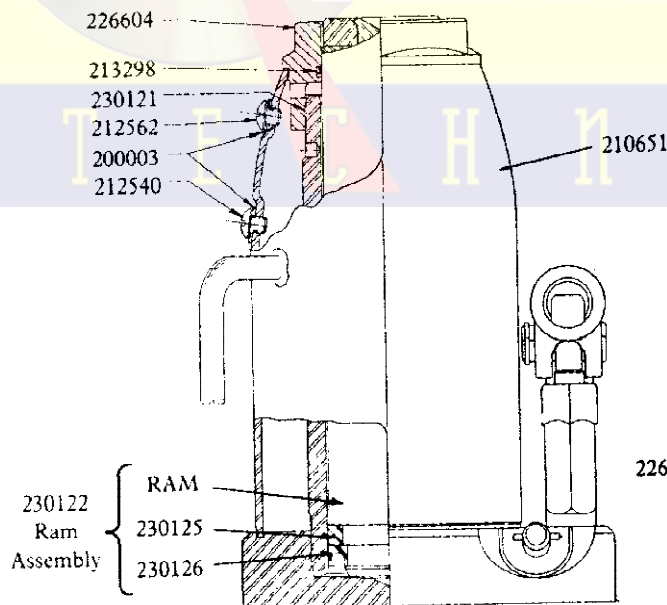
MODEL	LABEL KIT NO.	REPAIR KIT NO.
91-233	240146	240574
93233	240147	240574
YA-233	240148	240574



SECTION B-B

NOTE:

Clinch two opposite corners of 226399 Hex Cap into groove of 224811 Pump Cylinder.



SECTION A-A

LINCOLN
A PENTAIR COMPANY

One Lincoln Way
St. Louis, Missouri 63120-1578
Customer Service. (314) 679-4300

SECTION - **W2**
PAGE - **4D**

SERVICE PARTS

PART	QUAN.	DESCRIPTION	PART	QUAN.	DESCRIPTION
10667	1	Handle	222878	1	Handle socket
*200003	2	Gasket	224725	1	Locknut
*203198	2	Ball	224810	1	Piston
*203201	1	Ball	224811	1	Pump cylinder
204235	1	Washer	224813	1	Base
204402	1	Washer	224820	1	Pump piston assembly
209910	1	Pump clip	*226397	1	Washer (rubber)
210311	2	Pipe plug	*226398	1	Washer (felt)
210651	1	Oil tank	*226399	1	Cap
212227	1	Release valve	226400	1	Spacer
212540	1	Filler screw	226401	1	Spring
212562	1	Air vent screw	226604	1	Tank nut
212913	1	Release stem & valve ass'y.	226805	1	Pump assembly
*213298	1	O-ring	228247	2	Pump pin
213568	1	Release stem & o-ring ass'y.	230121	1	Ram cylinder
213728	1	Spacer	230122	1	Ram assembly
*214555	1	O-ring	*230125	1	Heel plate
220018	2	Retaining ring	*230126	1	U-cup packing
*222533	1	Screen	*233984	3	V-packing

* Included in 240574 Repair Kit.

TROUBLESHOOTING

PROBLEM	SOLUTION
1) Will not lift load. 2) Will not lift full height. 3) Pump feels "Spongy" under load.	<p>Jack could be low on oil - with jack in upright position and ram fully lowered, remove filler screw (the lower screw on the reservoir) and fill reservoir with clean HYDRAULIC JACK OIL - correct oil level is reached when oil level is at bottom edge of filler screw hole.</p> <p>Jack could be air-bound - open the release valve one full turn and pump the handle vigorously. Close the release valve and pump to full height. Continue pumping several times at full height. Open release valve and push ram down into lowered position. Close release and operate normally.</p>
1) Will not lift load. 2) Handle raises under load. 3) Handle lowers under load. 4) Will not hold load.	<p>Valve might not be closing - open the release valve one full turn and pump the handle vigorously to flush the valves. Close the release valve and operate normally.</p>
1) Will not work in horizontal position.	<p>Jack in wrong position for horizontal operation - jack must be laying on its right side with the handle socket and release valve nearest ground.</p> <p>Jack could be low on oil - with jack in upright position and ram fully lowered, remove filler screw (the lower screw on the reservoir) and fill reservoir with clean HYDRAULIC JACK OIL - correct oil level is reached when oil level is at bottom edge of filler screw hole.</p>
1) Leaks around release.	<p>Release valve seal may be damaged or worn out - thoroughly clean area around release valve and place jack in horizontal position with release valve facing upward BEFORE removing it. Remove the release stem and o-ring assembly. Remove the o-ring seal and thoroughly clean the stem. Install new seal on release stem. Remove the valve tip and any dirt or foreign matter from release valve hole in jack base with clean lint-free rag. Liberally apply clean grease to seal on release stem. Re-install release valve parts and operate normally.</p>
1) Will not lift full height. 2) Will not lower completely.	<p>Air vent screw could be closed - make certain that vent is open about two full turns.</p>

If the above procedures do not correct the problem, contact your nearest service depot. When submitting any jack or equipment to be repaired, be sure to state the nature of the problem and indicate whether an estimate of the repair cost is needed.

IMPORTANT: As with any hydraulic unit, this unit may occasionally become "air bound" due to being tipped over during shipment. To purge the air from the oil lines, open the release and pump rapidly a few strokes. Close release and pump to full height, then open the release to allow the ram to descend rapidly. If the pump still seems "spongy", repeat the procedure.