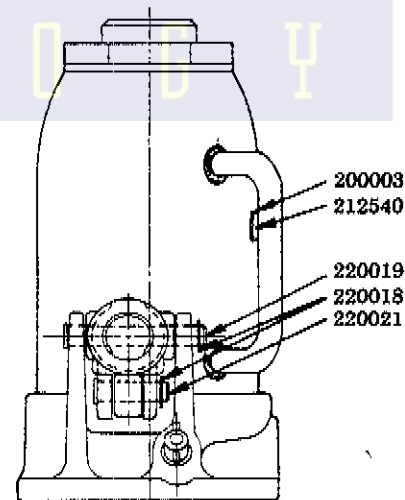
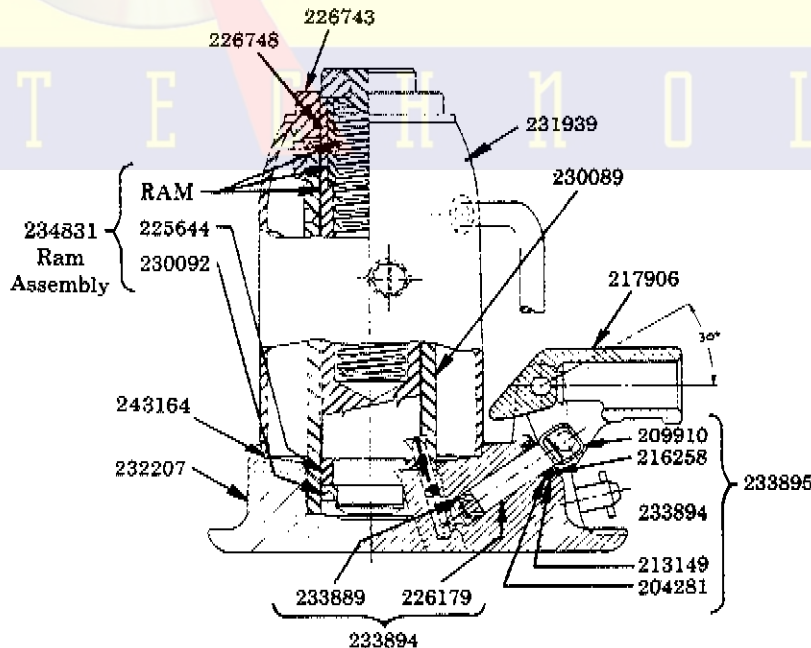
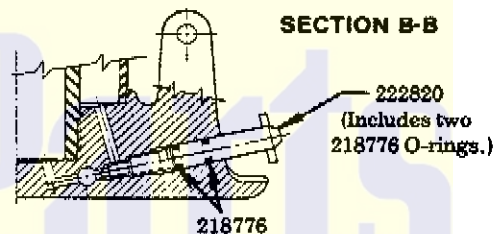
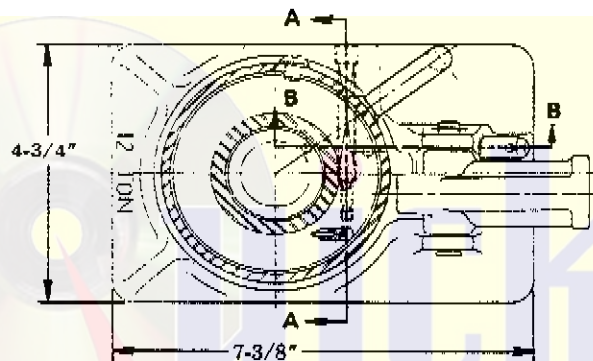
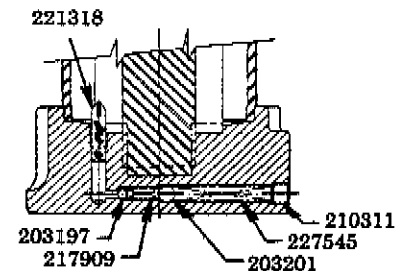
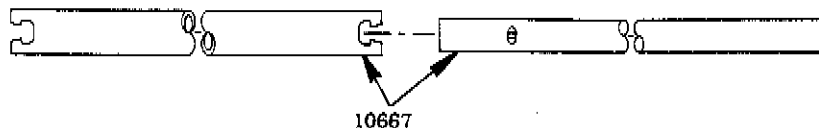


# PORTABLE HYDRAULIC JACK

MODEL Nos. 91-229, W93229,  
B67264, YA229  
Series "U"

12-TON CAPACITY

SPECIFICATIONS:	Model	Label Kit No.	Repair Kit No.
Height (Closed) : 9"	91-229	240041	240508
Extension Screw : 3-1/4"	W93229	240042	240508
Maximum Height : 17-3/4"	B67264	250346	240508
Power Raise : 5-1/2"	YA229	240044	240508



**LINCOLN**

One Lincoln Way  
St. Louis, Missouri 63120-1578  
Customer Service. (314) 679-4300

Copyright © 1995  
Printed in U.S.A.

Section - W2  
Page - 10

## SERVICE PARTS

Part	Qty.	Description	Part	Qty.	Description
10667	1	Handle	*221318	1	Suction screen
*200093	1	Gasket	222820	1	Release stem & o-ring ass'y.
*203197	1	Ball	*225644	1	Heel plate
*203201	1	Ball	226179	1	Pump piston
*204281	1	Washer	226743	1	Tank nut
209910	1	Pump clip	*226748	1	Quad ring
*210311	1	Pipe plug	*227545	1	Spring
212540	1	Filler screw	230089	1	Cylinder
*213149	1	Packing ring	*230092	1	U-cup packing
*216258	1	Pump gland cover	231939	1	Oil tank
217906	1	Handle socket	232207	1	Base
*217909	1	Spring	*233889	1	U-cup packing
*218776	2	O-ring	233894	1	Pump assembly
220018	2	Retaining ring	233895	1	Complete pump assembly
220019	1	Fulcrum pin	243164	1	Base Gasket
220021	1	Pump pin	234831	1	Complete ram assembly

\*Included in 240508 Repair Kit.

## TROUBLESHOOTING

Problem	Solution
1) Will not lift full height. 2) Will not lower completely.	Reservoir could be overfilled — with jack upright; remove filler screw or filler plug, open release and SLOWLY push jack ram into lowered position. Any excess oil will run out fill hole. Replace filler screw or filler plug when oil has stopped flowing.
1) Will not lift load. 2) Will not lift full height. 3) Pump feels "Spongy" under load.	The Jack could be low on oil — with jack in upright position and ram fully lowered, remove filler screw or filler plug and fill reservoir with clean HYDRAULIC JACK OIL — correct oil level is reached when oil level is at bottom edge of fill hole.  The Jack could be air-bound — open the release valve one full turn and pump the handle vigorously. Close the release valve and pump to full height. Continue pumping several times at full height. Open release valve and push ram down into lowered position. Close release and operate normally.
1) Will not lift load. 2) Handle raises under load. 3) Handle lowers under load.	Valve might not be closing — make certain release valve is closed. Starting with ram in fully lowered position, SLOWLY raise ram out to full height. Open release valve and push ram down into lowered position. Jack should now operate properly.
1) Will not work in horizontal position.	Jack in wrong position for horizontal operation — valving plug on side of jack base must face upward.  The Jack could be low on oil — with jack in upright position and ram fully lowered, remove filler screw or filler plug and fill reservoir with clean HYDRAULIC JACK OIL — correct oil level is reached when oil level is at bottom edge of fill hole.

If the above procedures do not correct the problem, contact your nearest service depot. When submitting any jack or equipment to be repaired, be sure to state the nature of the problem and indicate whether an estimate of the repair cost is needed.

**IMPORTANT:** As with any hydraulic unit, this unit may occasionally become "air-bound" due to being tipped over during shipment. To purge the air from the lines, open the release and pump rapidly a few strokes. Close release and pump to full height, then open the release to allow the ram to descend rapidly. If the pump still seems "spongy", repeat the procedure.

### RETAIN THIS INFORMATION FOR FUTURE REFERENCE

When ordering replacement parts, list: Part Number, Description, Model Number, and Series Letter.

LINCOLN provides a Distributor Network that stocks equipment and replacement parts.