

# repair parts list

## 1 1/2 TON PORTABLE FLOOR SERVICE JACK

NORCO MODEL 71150

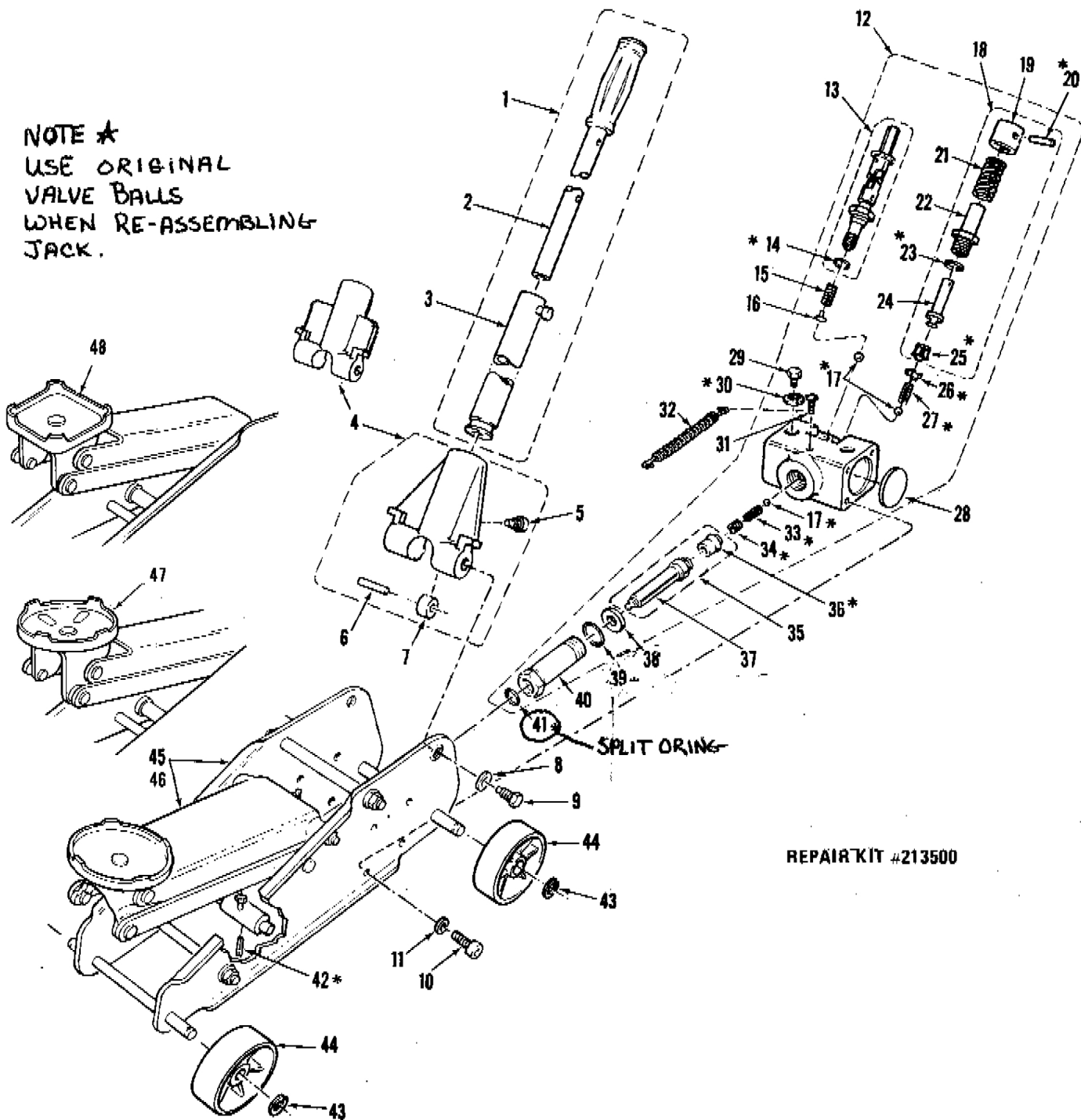
KEYBAR MODEL 2115

SEARS MODEL 350-1261 +1260

WARDS MODEL 85044

JC PENNEY 2012

NOTE ★  
USE ORIGINAL  
VALVE BALLS  
WHEN RE-ASSEMBLING  
JACK.



# 1½ TON CAPACITY PORTABLE FLOOR SERVICE JACK repair parts

NORCO MODEL 71150	KEYBAR MODEL 2115	SEARS MODEL 1261	WARDS MODEL 85044
-------------------	-------------------	------------------	-------------------

INDEX NO.	DESCRIPTION	PART NO.	QTY.
1	Handle Assy -- complete <i>includes:</i>	213040	1
2	Upper Handle Assy	212005	1
3	Lower Handle Assy	212010	1
4	Handle Base Assy (w/diagonal braces)	213050	1
	Handle Base Assy (w/square braces)	213055	1
	<i>includes:</i>		
5	Bolt -- Hex Hd 1/4-20	3017	1
6	Pin	7026	1
7	Roller	212027	1
8	Lockwasher	2044	2
9	Screw mtg.	213014	2
10	Screw -- 1/4-20	3034	8
11	Lockwasher	2004	8
12	Oil Block Assy -- complete <i>includes:</i>	213035	1
13	Release Valve Assy <i>includes:</i>	213015	1
14	"O" Ring	8018	1
15	Spring-overload	4004	1
16	End Cap	213016	1
17	Check Ball 7/32"	9001	3
18	Pump Assy <i>includes:</i>	213020	1
19	Cap	213023	1
20	Pin	7034	1
21	Spring	4003	1

INDEX NO.	DESCRIPTION	PART NO.	QTY.
22	Body	213022	1
23	"O" Ring	8016	1
24	Piston	213021	1
25	Cup-packing	8020	1
26	Retainer	213033	1
27	Spring	4009	1
28	Plug-freeze	212103	2
29	Bolt Filler Plug	3043	2
30	Stat-o-seal	8011	2
31	Screw	3002	1
32	Spring	4006	1
33	Spring	4005	1
34	Screw	3005	1
35	Ram Assy <i>includes:</i>	213045	1
36	Cup packing	8019	1
37	Ram	213026	1
38	Gasket-Rubber	213031	1
39	Ring-backup	213034	1
40	Cylinder	213030	1
41	"O" Ring	8017	1
42	Pin	7034	1
43	Snapping	2003	4
44	Wheel	212207	4
45	Frame & Lift Arm Assy -- RED w/round flat saddle	213025	1
46	Frame & Lift Arm Assy -- BLUE w/round flat saddle	213065	1
47	Frame & Lift Arm Assy -- RED w/round dished saddle	213060	1
48	Frame & Lift Arm Assy -- RED w/square flat saddle	213005	1

(DO NOT ORDER BY INDEX NO. ONLY -- such orders will not be processed)	<table style="width: 100%; border: none;"> <tr> <td style="width: 50%; border: none;">1. PART NUMBER</td> <td style="width: 50%; border: none;">3. QUANTITY DESIRED</td> </tr> <tr> <td style="border: none;">2. PART DESCRIPTION</td> <td style="border: none;">4. MODEL NO. &amp; SERIAL NO. (if any)</td> </tr> </table>	1. PART NUMBER	3. QUANTITY DESIRED	2. PART DESCRIPTION	4. MODEL NO. & SERIAL NO. (if any)
1. PART NUMBER	3. QUANTITY DESIRED				
2. PART DESCRIPTION	4. MODEL NO. & SERIAL NO. (if any)				

Refer to current price lists and subject to change without notice.

**NORCO INDUSTRIES INC.**

P.O. BOX 2045 • 344 W. 157TH ST.  
GARDENA, CALIF. 90247  
PHONE (213) 321-0970